

# **TH78 - THS78**

YALITIMLI KAPI-PENCERE SİSTEMİ  
THERMAL WINDOW&DOOR SYSTEM

**TÜRKAK**  
**TÜRK AKREDİTASYON KURUMU**  
TURKISH ACCREDITATION AGENCY  
tarafından akredite edilmiş

**FTI Fasad Teknoloji Merkezi / FTI Façade Testing Institute**

Merkez / Head Office  
Ata Üstü Cadde No:10. Pa. 34730 Kuyumcağız - Beşiktaş / İstanbul / TÜRKİYE  
Tel: +90 212 578 98 00. Fax: +90 212 578 98 31. e-mail: info@turkak.com

Laboratuvar / Laboratory  
Çelik Atölyesi (Steel Tower) Anon. San. Bölgesi A 34340 Çekirge / Beşiktaş / TÜRKİYE  
Tel: +90 212 774 42 25. Fax: +90 212 774 42 26. E-mail: info@turkak.com

**DENEY SERTİFİKASI / Test Certificate**

**TÜRKAK**

AKREDİTASYON

AB 4023-T

03.03.17.2016

03 / 2016

**Müşterinin Adı ve Adresi / Customer's Name & Address:** Asist Alüminyum Profil San. ve Tic. A.Ş.  
Kırkışalı OSB. 2.Cadde No:2 Kuzköyüde / Kırkışalı / TÜRKİYE

**Referans No / Reference No:** 2016.565

**Numunenin Adı ve Tanımı / Sample's Name & Description:** Asistal TH 78 Door and Window System  
(TR & Turn)

**Numunenin Kabul Tarihi / Receipt Date of Test Item:** 02 / 03 / 2016

**Uygulanan Normlar / Norms Applied:** TS EN 14351-1+A1, TS EN 1026, TS EN 1027, TS 4644 EN 12211

**Sonuçlar / Results:**  
TS EN 12207 - Air Permeability : Class 4 ( 600Pa )  
TS EN 12208 - Watertightness : Class 9A ( 600Pa )  
TS EN 12210 - Resistance to Wind Load : Class C3 ( 1200Pa )  
TS EN 12210 - Resistance to Safety Load : OK ( 1800Pa )

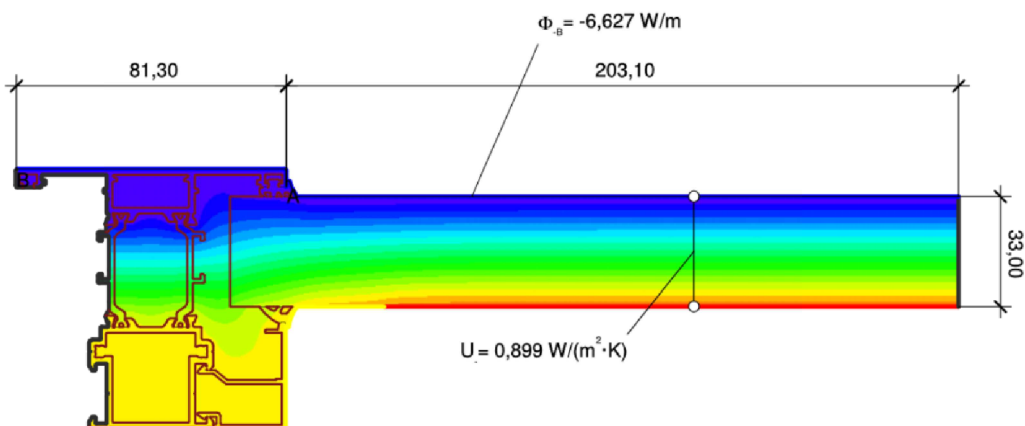
**Test Tarihi / Date of Test:** 04 / 03 / 2016 **Sayfa Sayısı / Number of Pages:** 1 / 17

Türk Akreditasyon Kurumu (TÜRKAK) deney raporlarını tetkik edenler arasında Avrupa Akreditasyon Birliği (EA) ve Uluslararası Laboratuvar Akreditasyon Birliği (ILAC) ile karşılıklı tanıma anlaşmaları bulunmaktadır.  
The Turkish Accreditation Agency (TÜRKAK) is signatory to the multilateral agreements of the European co-operation for the Accreditation (EA) and of the International Laboratory Accreditation (ILAC) for the Mutual recognition of test reports.

Uygulanan metodlar, test sonuçları ve gerektirdiği diğer bilgiler (ölçülme), bu sertifikasyon raporundaysa bulunmaz veya takip eden sayfalarda yer almaz. Bu sertifikasyon raporu test edilen numuneye ait sonuçları içeren ve diğer taraftan ilgili test raporu ile birlikte gönderilir.  
The applied methods, test results and the circumstances (if requested with confidence probability) are given on the following pages which are part of this report. The certificate includes the test specimen which is identified above and is valid with the related test report which is presented as annex.

**Tarih / Date:** 12 / 03 / 2016 **Test Faaliyetleri Yöneticisi / Testing Manager:** S.Ç.OLAK **Laboratuvar Müdürü / Laboratory Manager:** Ömer AŞKAR

Bu Rapor Laboratuvarımız test etme ve raporlama yetkisine sahiptir. Başka bir kuruluşun raporunu kullanmadan yayımlanabilir.  
This report shall not be reproduced after the 12 of March with the permission of the laboratory. Unauthorized reports without signature and seal are not valid.



$$U_{f,AB} = \frac{\frac{\Phi}{\Delta T} - U_p \cdot b_p}{b_f} = \frac{\frac{6,627}{20,000} - 0,899 \cdot 0,203}{0,081} = 1,83 \text{ W/(m}^2 \cdot \text{K)}$$

Uf değeri cam Ug değerine göre değişkenlik gösterir  
Uf value can be change according to the glass Ug value

**TH78 - THS78**

YALITIMLI KAPI-PENCERE SİSTEMİ  
THERMAL WINDOW&DOOR SYSTEM

**ASISTAL**

**PROFİL VE AKSESUAR LİSTELERİ**  
*PROFILE & ACCESSORIES LISTS*

# TH78 - THS78 - 1,8mm/2mm

YALITIMLI KAPI-PENCERE SİSTEMİ  
THERMAL WINDOW&DOOR SYSTEM



## PROFİL LİSTESİ - PROFILES LIST

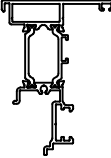
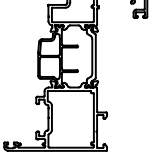
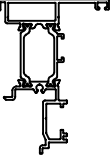
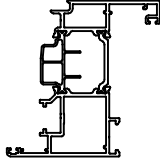
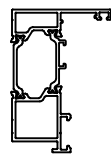
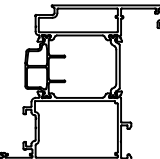
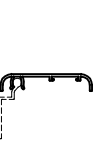
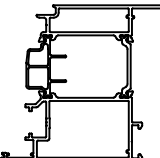
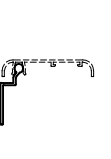
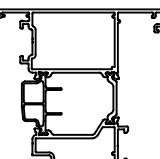

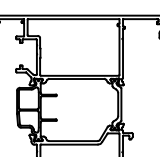


TH78 01	Jx cm <sup>4</sup>	Jy cm <sup>4</sup>		TH78 18	Jx cm <sup>4</sup>	Jy cm <sup>4</sup>	
	45,72	12,61			62,90	17,32	
KASA PROFİLİ-60 mm FRAME PROFILE	AĞIRLIK / Weight			KANAT PROFİLİ SASH PROFILE	AĞIRLIK / Weight		
	1,588 kg/mt				1,828 kg/mt		
TH78 02	Jx cm <sup>4</sup>	Jy cm <sup>4</sup>		TH78 14	Jx cm <sup>4</sup>	Jy cm <sup>4</sup>	
	58,71	35,34			67,53	24,33	
KASA PROFİLİ-80 mm FRAME PROFILE	AĞIRLIK / Weight			KANAT PROFİLİ MULTI POINT SİSTEM SASH PROFILE-MULTI POINT	AĞIRLIK / Weight		
	1,959 kg/mt				1,964 kg/mt		
TH78 03	Jx cm <sup>4</sup>	Jy cm <sup>4</sup>		TH78 12	Jx cm <sup>4</sup>	Jy cm <sup>4</sup>	
	60,71	26,87			78,72	48,38	
PERVAZLI KASA PROFİLİ FRAME PROFILE	AĞIRLIK / Weight			İÇE AÇILIR KAPI KANAT PROFİLİ INNER OPENING DOOR SASH PROFILE	AĞIRLIK / Weight		
	1,770 kg/mt				2,240 kg/mt		
TH78 04	Jx cm <sup>4</sup>	Jy cm <sup>4</sup>		TH78 15	Jx cm <sup>4</sup>	Jy cm <sup>4</sup>	
	54,05	18,25			82,88	57,68	
PERVAZLI KASA PROFİLİ FRAME PROFILE	AĞIRLIK / Weight			İÇE AÇILIR KAPI KANAT PROFİLİ-MULTI POINT INNER OPENING DOOR SASH PROFILE-MULTI POINT	AĞIRLIK / Weight		
	1,723 kg/mt				2,358 kg/mt		
TH78 21	Jx cm <sup>4</sup>	Jy cm <sup>4</sup>		TH78 13	Jx cm <sup>4</sup>	Jy cm <sup>4</sup>	
	51,99	18,69			77,57	48,50	
ORTA KAYIT PROFİLİ 81 mm (vidalı) TRANSOM-MULLION PROFILE	AĞIRLIK / Weight			DİŞA AÇILIR KAPI KANAT PROFİLİ OUTWARD OPENING DOOR SASH PROFILE	AĞIRLIK / Weight		
	1,795 kg/mt				2,269 kg/mt		
TH78 22	Jx cm <sup>4</sup>	Jy cm <sup>4</sup>		TH78 16	Jx cm <sup>4</sup>	Jy cm <sup>4</sup>	
	51,41	18,72			81,87	58,04	
ORTA KAYIT PROFİLİ 81 mm TRANSOM-MULLION PROFILE	AĞIRLIK / Weight			DİŞA AÇILIR KAPI KANAT PROFİLİ-MULTI POINT OUTWARD OPENING DOOR SASH PROFILE-MULTI POINT	AĞIRLIK / Weight		
	1,763 kg/mt				2,390 kg/mt		
TH78 23	Jx cm <sup>4</sup>	Jy cm <sup>4</sup>		TH78 31	Jx cm <sup>4</sup>	Jy cm <sup>4</sup>	
	66,23	47,51			136,54	92,88	
ORTA KAYIT PROFİLİ 102 mm TRANSOM-MULLION PROFILE	AĞIRLIK / Weight			ETEK PROFİLİ-130 mm BOTTOM PLATE PROFILE	AĞIRLIK / Weight		
	2,225 kg/mt				2,905 kg/mt		
TH78 24	Jx cm <sup>4</sup>	Jy cm <sup>4</sup>		12-38			
	223,24	29,97			AĞIRLIK / Weight		
TAKVİYELİ ORTA KAYIT PROFİLİ SUPPORTED MULLION PROFILE	AĞIRLIK / Weight			EŞİK PROFİLİ BOTTOM RAIL PROFILE	AĞIRLIK / Weight		
	2,845 kg/mt				0,865 kg/mt		
TH78 25	Jx cm <sup>4</sup>	Jy cm <sup>4</sup>		TH78 52	Jx cm <sup>4</sup>	Jy cm <sup>4</sup>	
	135,67	29,50			31,05	43,95	
TAKVİYELİ ORTA KAYIT PROFİLİ SUPPORTED MULLION PROFILE	AĞIRLIK / Weight			EKSENEL DÖNÜŞ PROFİLİ CORNER PROFILE	AĞIRLIK / Weight		
	2,615 kg/mt				1,751 kg/mt		
TH78 11	Jx cm <sup>4</sup>	Jy cm <sup>4</sup>		TH78 53	Jx cm <sup>4</sup>	Jy cm <sup>4</sup>	
	63,31	19,21			44,84	52,74	
KANAT PROFİLİ SASH PROFILE	AĞIRLIK / Weight			90° KÖŞE PROFİLİ CORNER PROFILE	AĞIRLIK / Weight		
	1,845 kg/mt				1,909 kg/mt		

❗ Sipariş öncesi kalıp bilgisi kontrol edilmeli / must be check profile mold before the order

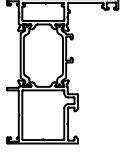
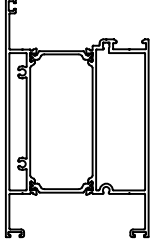
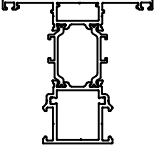
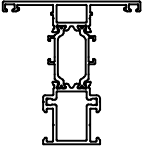
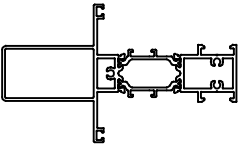
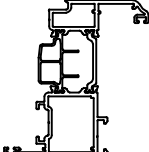
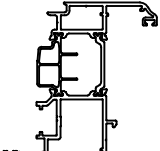
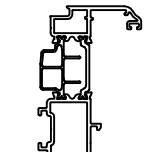
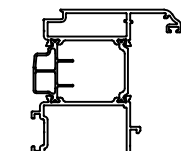
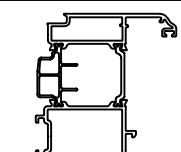
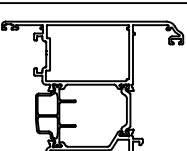
Profil ağırlıklarımız teorik olup; teslim anındaki tartımız geçerlidir.

## PROFİL LİSTESİ - PROFILES LIST



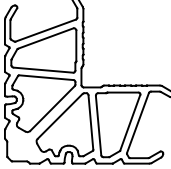

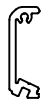


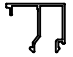

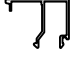


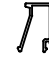
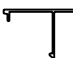






## PROFİL LİSTESİ "S" SERİSİ - PROFILES LIST "S" SERIES

TH78 41			THS78 11		Jx cm <sup>4</sup>	Jy cm <sup>4</sup>	
ÇİFT KANAT ADAPTÖR PROFİLİ DOUBLE SASH ADAPTER PROFILE	AĞIRLIK / Weight 1,377 kg/mt		KANAT PROFİLİ-DÜZ SASH PROFILE-FLAT		64,56	20,31	
TH78 42			THS78 14		Jx cm <sup>4</sup>	Jy cm <sup>4</sup>	
ÇİFT KANAT ADAPTÖR PROFİLİ-MULTI POINT DOUBLE SASH ADAPTER PROFILE - MULTI POINT	AĞIRLIK / Weight 1,399 kg/mt		KANAT PROFİLİ-DÜZ MULTI POINT SİSTEM SASH PROFILE-MULTI POINT		68,77	25,58	
TH78 43			THS78 12		Jx cm <sup>4</sup>	Jy cm <sup>4</sup>	
DIŞA AÇILIR KAPI ADAPTÖR PROFİLİ OUTWARD OPENING DOOR ADAPTER PROFILE	AĞIRLIK / Weight 1,461 kg/mt		İÇE AÇILIR KAPI KANAT PROFİLİ-DÜZ INNER OPENING DOOR SASH PROFILE-FLAT		79,89	50,09	
12-52			THS78 15		Jx cm <sup>4</sup>	Jy cm <sup>4</sup>	
PERVAZ PROFİLİ BORDER PROFILE	AĞIRLIK / Weight 0,279 kg/mt		İÇE AÇILIR KAPI KANAT PROFİLİ-MULTI POINT INNER OPENING DOOR SASH PROFILE-MULTI POINT		84,10	59,64	
12-53			THS78 13		Jx cm <sup>4</sup>	Jy cm <sup>4</sup>	
PERVAZ MONTAJ PROFİLİ BORDER FIXING PROFILE	AĞIRLIK / Weight 0,177 kg/mt		DIŞA AÇILIR KAPI KANAT PROFİLİ - DÜZ OUTWARD OPENING DOOR SASH PROFILE		78,73	50,17	
12-54			THS78 16		Jx cm <sup>4</sup>	Jy cm <sup>4</sup>	
PERVAZ PROFİLİ BORDER PROFILE	AĞIRLIK / Weight 0,326 kg/mt		DIŞA AÇILIR KAPI KANAT PROFİLİ-MULTI POINT OUTWARD OPENING DOOR SASH PROFILE-MULTI POINT		83,01	59,94	
12-41							
TIJ PROFİLİ SASH PROFILE	AĞIRLIK / Weight 0,118 kg/mt						
04-025025-12							
KASA T 'Sİ - 30 mm FRAME BORDER	AĞIRLIK / Weight 0,159 kg/mt						

## PROFİL LİSTESİ "2mm" İÇİN - PROFILES LIST FOR "2mm"

TH78 201	Jx cm <sup>4</sup>	Jy cm <sup>4</sup>		TH78 231	
	50,54	13,58			
KASA PROFİLİ-60 mm 2mm FRAME PROFILE	AĞIRLIK / Weight				
	1,710 kg/mt				
TH78 222	Jx cm <sup>4</sup>	Jy cm <sup>4</sup>		2mm - ETEK PROFİLİ BOTTOM PLATE PROFILE-2mm	AĞIRLIK / Weight
	57,26	20,27			
ORTA KAYIT PROFİLİ 81 mm - 2 mm TRANSOM-MULLION PROFILE	AĞIRLIK / Weight				
	1,882 kg/mt				
TH78 226	Jx cm <sup>4</sup>	Jy cm <sup>4</sup>		2mm - ETEK PROFİLİ BOTTOM PLATE PROFILE-2mm	AĞIRLIK / Weight
	40,30	13,88			
ORTA KAYIT PROFİLİ 75 mm - 2 mm TRANSOM-MULLION PROFILE	AĞIRLIK / Weight				
	1,733 kg/mt				
TH78 225	Jx cm <sup>4</sup>	Jy cm <sup>4</sup>		2mm - ETEK PROFİLİ BOTTOM PLATE PROFILE-2mm	AĞIRLIK / Weight
	119,24	16,41			
TAKVİYELİ ORTA KAYIT PROFİLİ SUPPORTED MULLION PROFILE	AĞIRLIK / Weight				
	2,276 kg/mt				
TH78 211	Jx cm <sup>4</sup>	Jy cm <sup>4</sup>		2mm - ETEK PROFİLİ BOTTOM PLATE PROFILE-2mm	AĞIRLIK / Weight
	63,31	19,21			
KANAT PROFİLİ-2 mm SASH PROFILE	AĞIRLIK / Weight				
	1,941 kg/mt				
TH78 214	Jx cm <sup>4</sup>	Jy cm <sup>4</sup>		2mm - ETEK PROFİLİ BOTTOM PLATE PROFILE-2mm	AĞIRLIK / Weight
	71,36	25,10			
KANAT PROFİLİ- 2 mm MULTI POINT SİSTEM SASH PROFILE-MULTI POINT	AĞIRLIK / Weight				
	2,063 kg/mt				
TH78 216	Jx cm <sup>4</sup>	Jy cm <sup>4</sup>		2mm - ETEK PROFİLİ BOTTOM PLATE PROFILE-2mm	AĞIRLIK / Weight
	13,25	5,79			
KANAT PROFİLİ-2 mm SASH PROFILE	AĞIRLIK / Weight				
	1,809 kg/mt				
TH78 212	Jx cm <sup>4</sup>	Jy cm <sup>4</sup>		2mm - ETEK PROFİLİ BOTTOM PLATE PROFILE-2mm	AĞIRLIK / Weight
	84,00	50,54			
İÇE AÇILIR KAPI KANAT PROFİLİ-2mm INNER OPENING DOOR SASH PROFILE-2mm	AĞIRLIK / Weight				
	2,295 kg/mt				
TH78 215	Jx cm <sup>4</sup>	Jy cm <sup>4</sup>		2mm - ETEK PROFİLİ BOTTOM PLATE PROFILE-2mm	AĞIRLIK / Weight
	34,13	27,60			
İÇE AÇILIR KAPI - DAR KANAT PROFİLİ-2mm INNER OPENING DOOR SASH PROFILE-2mm	AĞIRLIK / Weight				
	2,235 kg/mt				
TH78 213	Jx cm <sup>4</sup>	Jy cm <sup>4</sup>		2mm - ETEK PROFİLİ BOTTOM PLATE PROFILE-2mm	AĞIRLIK / Weight
2mm-DIŞA AÇILIR KAPI KANAT PROFİLİ OUTWARD OPENING DOOR SASH PROFILE - 2mm	AĞIRLIK / Weight				
	2,440 kg/mt				

## PROFİL LİSTESİ - PROFILES LIST

10-010225-00			11-026		
KÖŞE TAKOZU-22,5 mm CORNER JOINT	AĞIRLIK / Weight 3,566 kg/mt		CAM ÇİTASI-26 mm GLAZING BEAD PROFILE	AĞIRLIK / Weight 0,296 kg/mt	
10-010429-00			11-028		
KÖŞE TAKOZU-42,7 mm CORNER JOINT	AĞIRLIK / Weight 5,483 kg/mt		CAM ÇİTASI-28 mm GLAZING BEAD PROFILE	AĞIRLIK / Weight 0,302 kg/mt	
12-91			11-030		
DİK BAĞLANTI T JOINT	AĞIRLIK / Weight 0,794 kg/mt		CAM ÇİTASI-30 mm GLAZING BEAD PROFILE	AĞIRLIK / Weight 0,308 kg/mt	
11-004			11-032		
CAM ÇİTASI-4 mm GLAZING BEAD PROFILE	AĞIRLIK / Weight 0,181 kg/mt		CAM ÇİTASI-32 mm GLAZING BEAD PROFILE	AĞIRLIK / Weight 0,315 kg/mt	
11-006			11-035		
CAM ÇİTASI-6 mm GLAZING BEAD PROFILE	AĞIRLIK / Weight 0,218 kg/mt		CAM ÇİTASI-35 mm GLAZING BEAD PROFILE	AĞIRLIK / Weight 0,323 kg/mt	
11-010			11-038		
CAM ÇİTASI-10 mm GLAZING BEAD PROFILE	AĞIRLIK / Weight 0,233 kg/mt		CAM ÇİTASI-38 mm GLAZING BEAD PROFILE	AĞIRLIK / Weight 0,334 kg/mt	
11-015			11-044		
CAM ÇİTASI-15 mm GLAZING BEAD PROFILE	AĞIRLIK / Weight 0,241 kg/mt		CAM ÇİTASI-44 mm GLAZING BEAD PROFILE	AĞIRLIK / Weight 0,338 kg/mt	
11-017			12-01		
CAM ÇİTASI-17 mm GLAZING BEAD PROFILE	AĞIRLIK / Weight 0,250 kg/mt		DAMLALIK PROFİLİ RAINDROP PROFILE	AĞIRLIK / Weight 0,198 kg/mt	
11-020			12-02		
CAM ÇİTASI-20 mm GLAZING BEAD PROFILE	AĞIRLIK / Weight 0,276 kg/mt		DAMLALIK PROFİLİ RAINDROP PROFILE	AĞIRLIK / Weight 0,136 kg/mt	
11-022			12-03		
CAM ÇİTASI-22 mm GLAZING BEAD PROFILE	AĞIRLIK / Weight 0,282 kg/mt		DAMLALIK PROFİLİ RAINDROP PROFILE	AĞIRLIK / Weight 0,313 kg/mt	

# TH78 - THS78-1,8mm/2mm

YALITIMLI KAPI-PENCERE SİSTEMİ  
THERMAL WINDOW&DOOR SYSTEM



## AKSESUAR LİSTESİ - ACCESSORIES LIST

EP1-01			ASI-H 9730		
DIŞ CAM FİTİLİ - 2,5 mm OUTER GLAZING GASKET	KOLİ MİKTARI/Package 240 mt / 15 kg		SİSTEM İKİLİ MENTEŞE DOUBLE SYSTEM HINGE	KOLİ MİKTARI/Package 250 Adet / Piece	
EP2-01			ASI-H 9733		
İÇ CAM FİTİLİ - 3 mm INNER GLAZING GASKET	KOLİ MİKTARI/Package 440 mt / 15 kg		SİSTEM ÜÇLÜ MENTEŞE TRIPLE SYSTEM HINGE	KOLİ MİKTARI/Package 250 Adet / Piece	
EP2-02			ASI-H 3300		
İÇ CAM FİTİLİ - 4 mm INNER GLAZING GASKET	KOLİ MİKTARI/Package 300 mt / 15 kg		SİSTEM KAPI MENTEŞESİ SYSTEM DOOR HINGE	KOLİ MİKTARI/Package Adet / Piece	
EP2-03			ASI-V 820		
İÇ CAM FİTİLİ - 5 mm INNER GLAZING GASKET	KOLİ MİKTARI/Package 250 mt / 15 kg		VASİSTAS AÇILIM KOLU TRANSOM OPENING HANDLE	KOLİ MİKTARI/Package 30 Adet / Piece	
EP4-07			ASI-V 816		
ORTA BİNİ FİTİLİ GASKET FOR OPEN JOINT	KOLİ MİKTARI/Package 45 mt / 15 kg		VASİSTAS AÇILIM KOLU TRANSOM OPENING HANDLE	KOLİ MİKTARI/Package 50 Adet / Piece	
EP4-07K			ASI-V 1000		
VULKANİZE FİTİLİ GASKET FOR CORNER	KOLİ MİKTARI/Package Adet / Piece		VASİSTAS MAKAS (PVC) TRANSOM RESTRICTER	KOLİ MİKTARI/Package 120 Adet / Piece	
EP3-01			ASI-V 1080		
KANAT BİNİ FİTİLİ SASH GASKET	KOLİ MİKTARI/Package 430 mt / 15 kg		VASİSTAS MAKAS TRANSOM RESTRICTER	KOLİ MİKTARI/Package 60 Adet / Piece	
EP3-02			ASI-V 1275-3		
KASA BİNİ FİTİLİ FRAME GASKET	KOLİ MİKTARI/Package 750 mt / 15 kg		VASİSTAS 3 KADEMELİ ÇELİK MAKAS TRANSOM RESTRICTER WITH 3 POSITIONS	KOLİ MİKTARI/Package 10 Adet / Piece	
EP3-03			ASI-V 1275-5		
KASA BİNİ FİTİLİ FRAME GASKET	KOLİ MİKTARI/Package		VASİSTAS 5 KADEMELİ ÇELİK MAKAS TRANSOM RESTRICTER WITH 5 POSITIONS	KOLİ MİKTARI/Package 10 Adet / Piece	
TH78 HOK			ASI-V 0148		
ADAPTÖR KAPAĞI ADAPTER COVER	KOLİ MİKTARI/Package alt-üst 1 takım		VASİSTAS ÇELİK MAKAS TRANSOM STEEL RESTRICTER	KOLİ MİKTARI/Package 100 Adet / Piece	



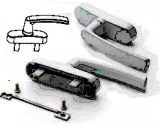
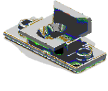

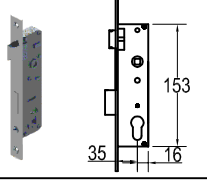



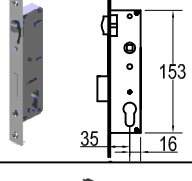



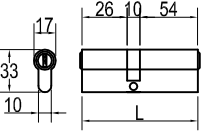








# TH78 - THS78-1,8mm/2mm

YALITIMLI KAPI-PENCERE SİSTEMİ  
THERMAL WINDOW&DOOR SYSTEM



## AKSESUAR LİSTESİ - ACCESSORIES LIST

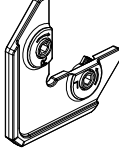
<b>ASI-WH 003</b>		<b>ASI-RP 001</b>	
TEK DİLLİ EKSENEL KOL WINDOW HANDLE	KOLİ MİKTARI/Package Adet / Piece	TIJ PİMİ ROD PROFILE LOCKING	KOLİ MİKTARI/Package Adet / Piece
<b>ASI-WH 004</b>		<b>ASI-RS 001</b>	
ÇİFT DİLLİ EKSENEL KOL WINDOW HANDLE	KOLİ MİKTARI/Package Adet / Piece	PİM KARŞILIĞI ROD PROFILE STRIKES	KOLİ MİKTARI/Package 120 Adet / Piece
<b>ASI-WH 004A</b>		<b>ASI-153 35</b>	
ÇİFT DİLLİ EKSENEL KOL - ANAHTARLI WINDOW HANDLE WITH LOCK	KOLİ MİKTARI/Package Adet / Piece	DİLLİ KİLİT MOURTISE LOCK WITH CYLINDER	KOLİ MİKTARI/Package Adet / Piece
<b>ASI-KA M108</b>		<b>ASI-LS 90185D</b>	
EKSENEL KOL KİLİTLEME MEKANİZMASI LOCKING FOR WINDOW	KOLİ MİKTARI/Package Adet / Piece	DİLLİ KİLİT KARŞILIĞI LOCK STRIKES	KOLİ MİKTARI/Package Adet / Piece
<b>ASI-KA P200</b>		<b>ASI-155 35</b>	
EKSENEL KOL KİLİTLEME MEKANİZMASI LOCKING FOR WINDOW	KOLİ MİKTARI/Package Adet / Piece	MAKARALI KİLİT MOURTISE LOCK WITH ROLLER	KOLİ MİKTARI/Package Adet / Piece
<b>ASI-KA VNT</b>		<b>ASI-LS 90185M</b>	
KANAT SABİTLEME SASH FIXING	KOLİ MİKTARI/Package Adet / Piece	MAKARALI KİLİT KARŞILIĞI ROLLER LOCK STRIKES	KOLİ MİKTARI/Package Adet / Piece
<b>ASI-WH 001</b>		<b>ASI-BRL 90</b>	
KARE MİLLİ PENCERE KOLU WINDOW HANDLE	KOLİ MİKTARI/Package Adet / Piece	90 LİK BAREL CYLINDER 90	KOLİ MİKTARI/Package 250 Adet / Piece
<b>ASI-WH 001A</b>		<b>ASI-B 2217</b>	
KARE MİLLİ PENCERE KOLU-ANAHTARLI WINDOW HANDLE WITH LOCK	KOLİ MİKTARI/Package Adet / Piece	SÜRGÜ KİLİTLEME-KISA SASH FIXING LOCK-SHORT	KOLİ MİKTARI/Package 240 Adet / Piece
<b>ASI-WH 001B</b>		<b>ASI-B 2215</b>	
KARE MİLLİ PENCERE KOLU - İKİLİ TAKIM WINDOW HANDLE WITH LOCK	KOLİ MİKTARI/Package Takım / Set	SÜRGÜ KİLİTLEME-UZUN SASH FIXING LOCK-LONG	KOLİ MİKTARI/Package 120 Adet / Piece
<b>ASI-DH 002</b>		<b>ASI-DH 60Y</b>	
KAPI KOLU DOOR HANDLE	KOLİ MİKTARI/Package Adet / Piece	ÇEKME KAPI KOLU DOOR HANDLE	KOLİ MİKTARI/Package Adet / Piece

# TH78 - THS78-1,8mm/2mm

YALITIMLI KAPI-PENCERE SİSTEMİ  
THERMAL WINDOW&DOOR SYSTEM



## AKSESUAR LİSTESİ - ACCESSORIES LIST

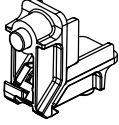
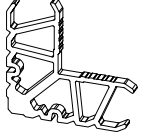
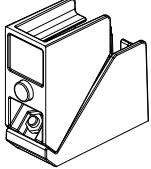
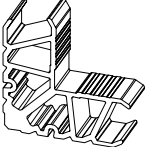
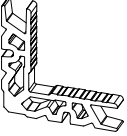
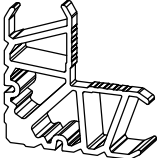
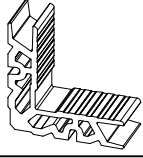

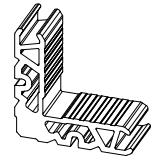
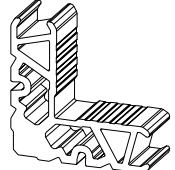

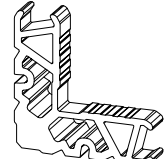
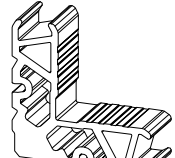
KF 67-1000			ASI-P 100.1		
FIRÇA FİTİL BRUSH GASKET	KOLİ MİKTARI/Package 600 mt		ORTA KAYIT BAĞLANTI T JOINT	KOLİ MİKTARI/Package 250 Adet / Piece	
ASI-F 100A			ASI-DB 9170		
KAPI ALTI FIRÇASI DOOR BRUSH GASKET	KOLİ MİKTARI/Package Adet / Piece		DİK BAĞLANTI T JOINT	KOLİ MİKTARI/Package Adet / Piece	
ASI-WDC 01			ASI-DB 9116		
YAĞMUR TAHLİYE KAPAĞI WATER REJECT COVER	KOLİ MİKTARI/Package Adet / Piece		DİK BAĞLANTI T JOINT	KOLİ MİKTARI/Package Adet / Piece	
ASI-WDC 02			ASI-DB 9143		
KLAPELİ YAĞMUR TAHLİYE KAPAĞI WATER REJECT COVER	KOLİ MİKTARI/Package Adet / Piece		DİK BAĞLANTI T JOINT	KOLİ MİKTARI/Package Adet / Piece	
ASI-FUJI 2400			ASI-DB 9123		
AYARLI ORTA KAYIT BAĞLANTI T JOINT CONNECTION	KOLİ MİKTARI/Package Adet / Piece		DİK BAĞLANTI T JOINT	KOLİ MİKTARI/Package Adet / Piece	
ASI-FUJI 2700			ASI-ALU TT		
AYARLI ORTA KAYIT BAĞLANTI T JOINT CONNECTION	KOLİ MİKTARI/Package Adet / Piece		ÇİFT EKSEN AÇILIM MEKANİZMASI TILT&TURN OPENING	KOLİ MİKTARI/Package Takım / Set	
ASI-FUJI 2000			ASI-PVC TT		
AYARLI KÖŞE GÖNYESİ CORNER ALIGNMENT	KOLİ MİKTARI/Package Adet / Piece		ÇİFT EKSEN AÇILIM MEKANİZMASI TILT&TURN OPENING	KOLİ MİKTARI/Package Takım / Set	
ASI-SB 19			ASI-MEK VW		
KÖŞE GÖNYESİ CORNER ALIGNMENT	KOLİ MİKTARI/Package 1000 Adet / Piece		PARALEL SÜRME MEKANİZMASI TILT&SLIDE OPENING	KOLİ MİKTARI/Package Takım / Set	
ASI-SB 19.1					
KÖŞE GÖNYESİ CORNER ALIGNMENT	KOLİ MİKTARI/Package 1000 Adet / Piece				
ASI-SS 01					
KANAT DESTEK TAKOZU SASH SUPPORT BOTTOM	KOLİ MİKTARI/Package Takım / Set				

# TH78 - THS78-1,8mm/2mm

YALITIMLI KAPI-PENCERE SİSTEMİ  
THERMAL WINDOW&DOOR SYSTEM



## AKSESUAR LİSTESİ - ACCESSORIES LIST

ASI-PB 2326			ASI-KT 3807		
PİMLİ KÖŞE BAĞLANTI CORNER JOINT	KOLİ MİKTARI/Package 200 Adet / Piece		KÖŞE TAKOZU CORNER JOINT	KOLİ MİKTARI/Package Adet / Piece	
ASI-PB 2650			ASI-KT 3830		
PİMLİ KÖŞE BAĞLANTI CORNER JOINT	KOLİ MİKTARI/Package 150 Adet / Piece		KÖŞE TAKOZU CORNER JOINT	KOLİ MİKTARI/Package Adet / Piece	
ASI-KT 1609			ASI-KT 4308		
KÖŞE TAKOZU CORNER JOINT	KOLİ MİKTARI/Package Adet / Piece		KÖŞE TAKOZU CORNER JOINT	KOLİ MİKTARI/Package Adet / Piece	
ASI-KT 1626					
KÖŞE TAKOZU CORNER JOINT	KOLİ MİKTARI/Package Adet / Piece				
ASI-KT 1807					
KÖŞE TAKOZU CORNER JOINT	KOLİ MİKTARI/Package Adet / Piece				
ASI-KT 1830					
KÖŞE TAKOZU CORNER JOINT	KOLİ MİKTARI/Package Adet / Piece				
ASI-KT 2660					
KÖŞE TAKOZU CORNER JOINT	KOLİ MİKTARI/Package Adet / Piece				
ASI-KT 2650					
KÖŞE TAKOZU CORNER JOINT	KOLİ MİKTARI/Package Adet / Piece				
ASI-KT 2308					
KÖŞE TAKOZU CORNER JOINT	KOLİ MİKTARI/Package Adet / Piece				
ASI-KT 2319					
KÖŞE TAKOZU CORNER JOINT	KOLİ MİKTARI/Package Adet / Piece				

**TH78 - 1,8mm**

YALITIMLI KAPI-PENCERE SİSTEMİ  
THERMAL WINDOW&DOOR SYSTEM

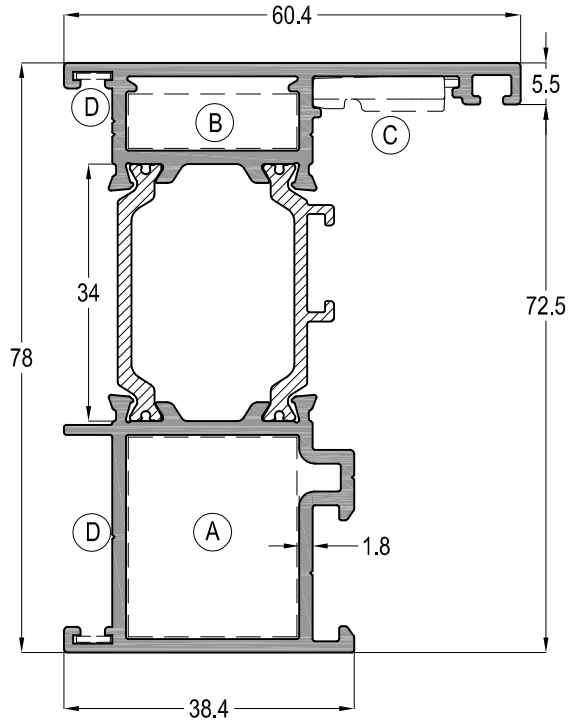
**ASISTAL**





**PROFİL DETAYLARI**  
*PROFILE DETAILS*

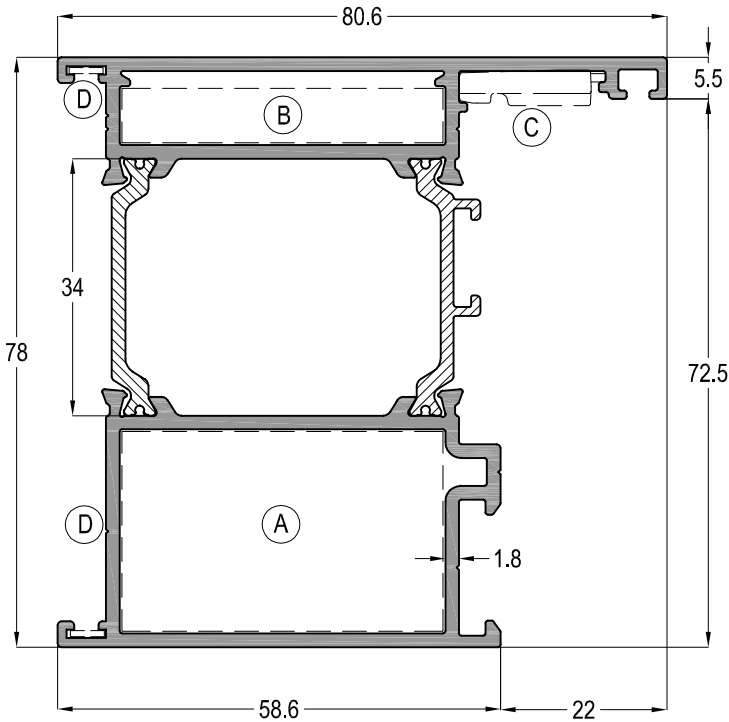
# TH78 - THS78



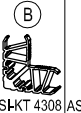
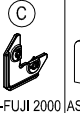
YALITIMLI KAPI-PENCERE SİSTEMİ  
THERMAL WINDOW&DOOR SYSTEM

ASISTAL



TH78 01		Jx cm <sup>4</sup>	Jy cm <sup>4</sup>
		45,72	12,61
AĞIRLIK / Weight		1,588 kg/mt	
 ASI-KT 2660-ASI-PB 2326	 ASI-KT 2308	 ASI-FUJII 2000	 ASI-SB 19

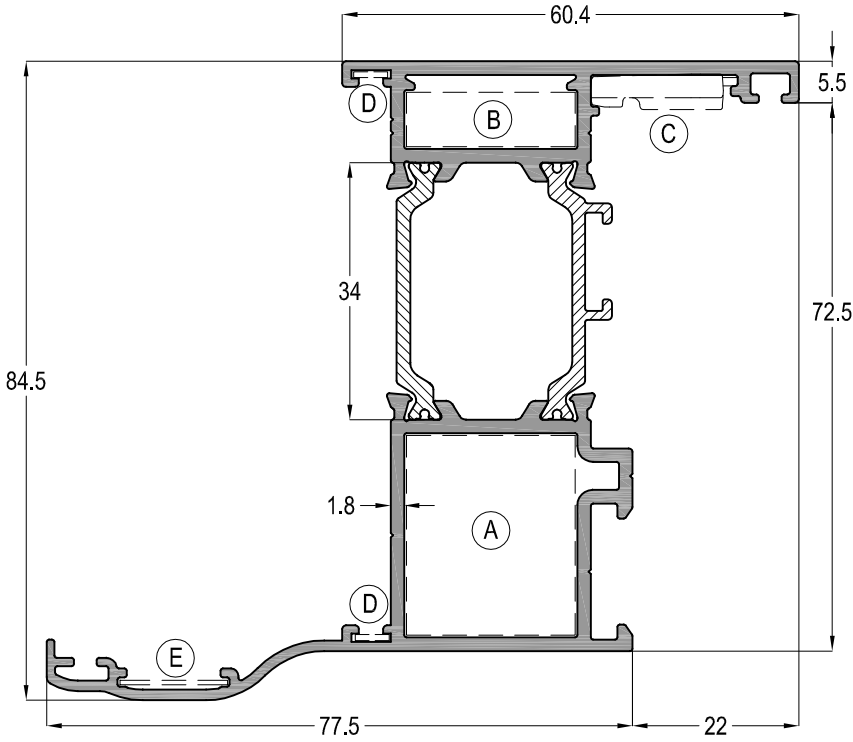


TH78 02		Jx cm <sup>4</sup>	Jy cm <sup>4</sup>
		58,71	35,34
AĞIRLIK / Weight		1,959 kg/mt	
 ASI-KT 2650-ASI-PB 2650	 ASI-KT 4308	 ASI-FUJII 2000	 ASI-SB 19

# TH78 - THS78

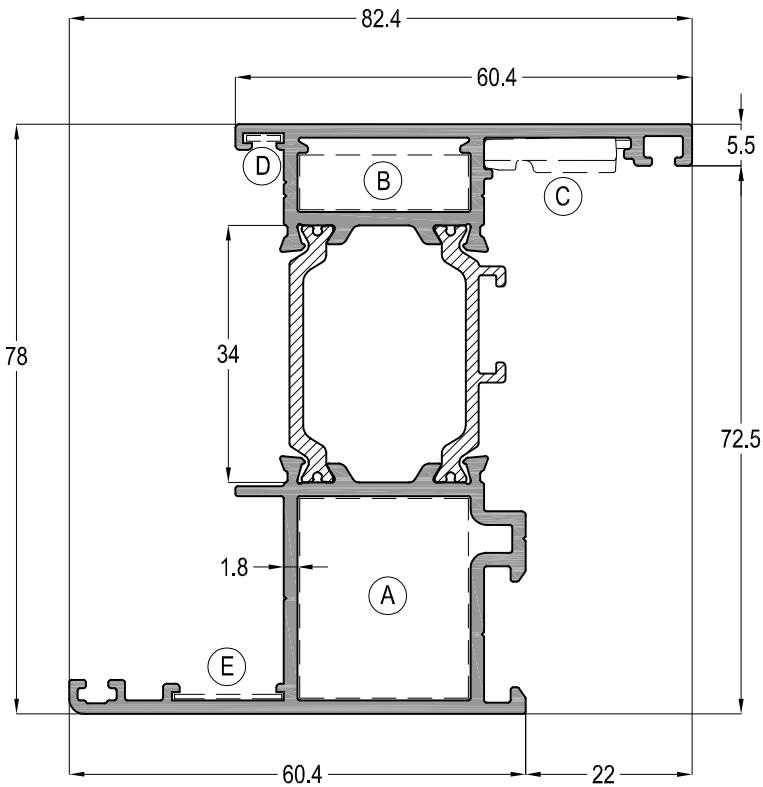
YALITIMLI KAPLI-PENCERE SİSTEMİ  
THERMAL WINDOW&DOOR SYSTEM

ASISTAL



TH78 03				Jx cm <sup>4</sup>	Jy cm <sup>4</sup>
				60,71	26,87
AĞIRLIK / Weight					
1,770 kg/mt					

A	B	C	E



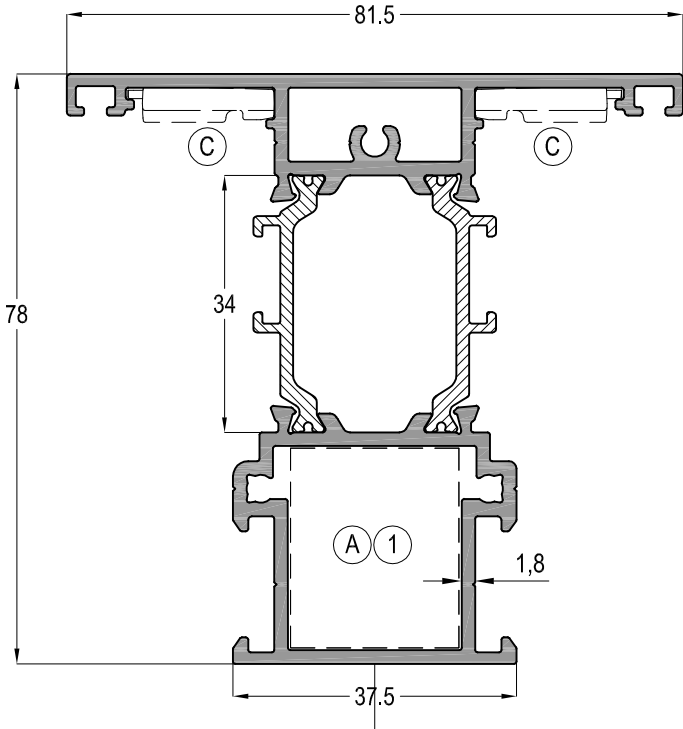
TH78 04				Jx cm <sup>4</sup>	Jy cm <sup>4</sup>
				54,05	18,25
AĞIRLIK / Weight					
1,723 kg/mt					

A	B	C	E

# TH78 - THS78

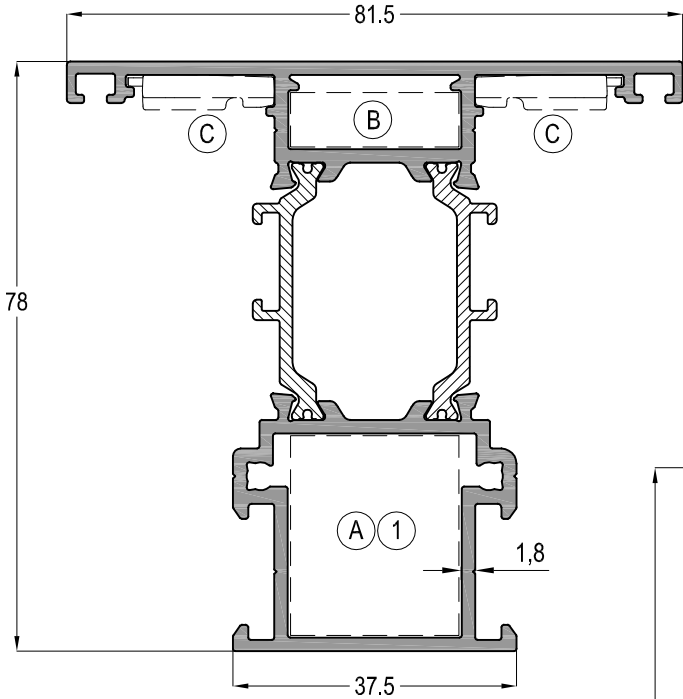
YALITIMLI KAPI-PENCERE SİSTEMİ  
THERMAL WINDOW&DOOR SYSTEM

ASISTAL



TH78 21		Jx cm <sup>4</sup>	Jy cm <sup>4</sup>
		51,99	18,69
AĞIRLIK / Weight		1,795 kg/mt	

ASİ-KT 2660-ASI-PB 2326 ASI-FUJİ 2000 ASI-DB 9123

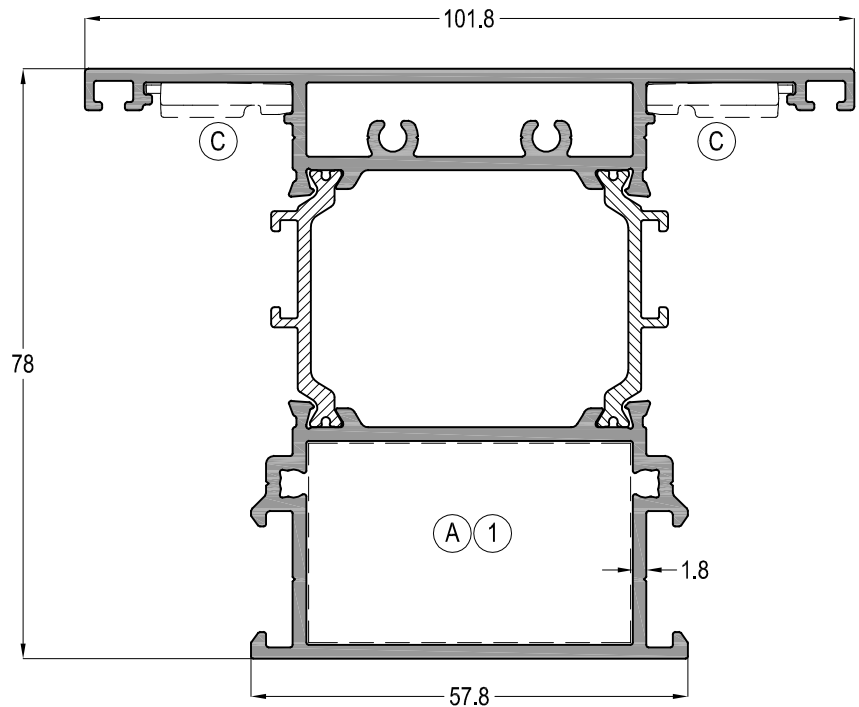


TH78 22		Jx cm <sup>4</sup>	Jy cm <sup>4</sup>
		51,41	18,72
AĞIRLIK / Weight		1,763 kg/mt	

ASİ-KT 2660-ASI-PB 2326 ASİ-KT 2308 ASI-FUJİ 2000 ASI-DB 9123

TH78 23		Jx cm <sup>4</sup>	Jy cm <sup>4</sup>
		66,23	47,51
AĞIRLIK / Weight		2,225 kg/mt	

ASİ-KT 2650-ASI-PB 2650 ASI-FUJİ 2000 ASI-DB 9143

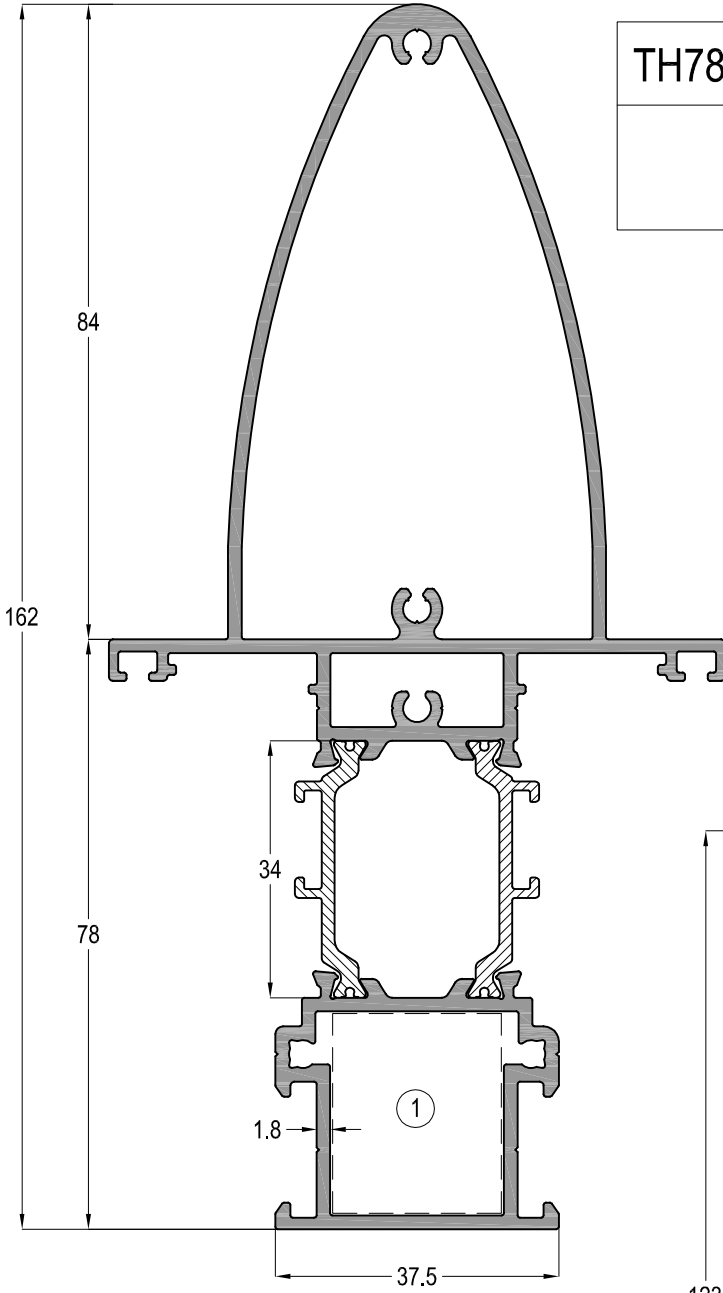


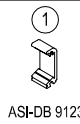
Profil ağırlıklarımız teorik olup; teslim anındaki tartımız geçerlidir.

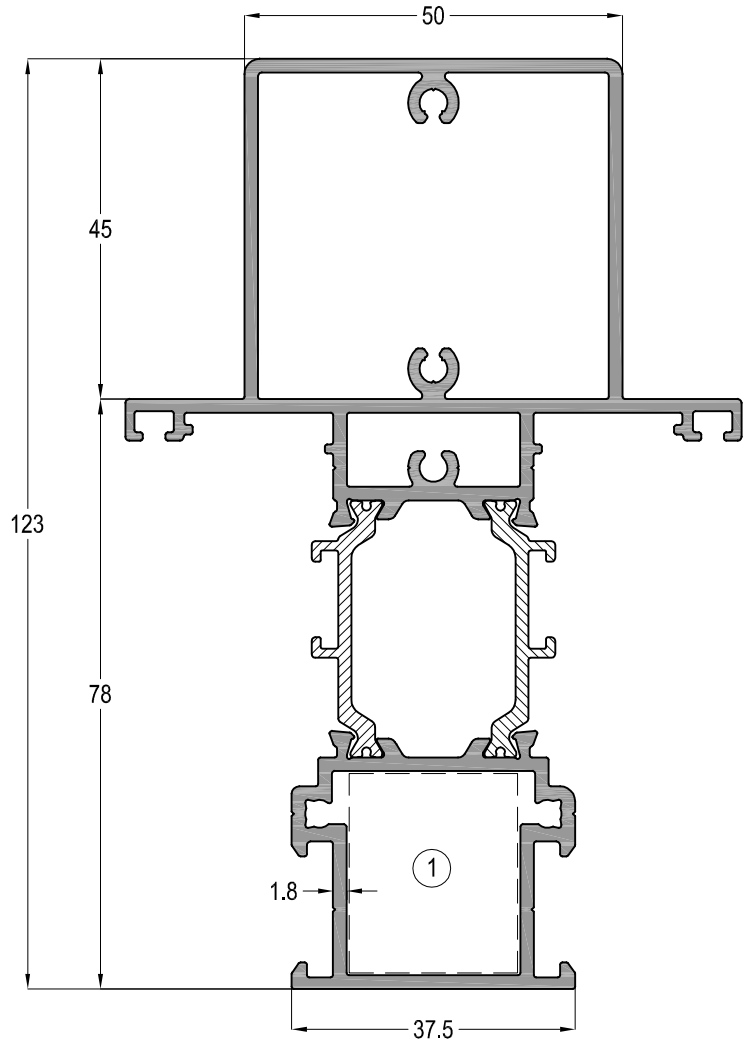
# TH78 - THS78

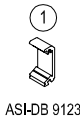
YALITIMLI KAPI-PENCERE SİSTEMİ  
THERMAL WINDOW&DOOR SYSTEM

ASISTAL



TH78 24	Jx cm <sup>4</sup>	Jy cm <sup>4</sup>
	223,24	29,97
 ASI-DB 9123	AĞIRLIK / Weight	
	2,845 kg/mt	



TH78 25	Jx cm <sup>4</sup>	Jy cm <sup>4</sup>
	135,67	29,50
 ASI-DB 9123	AĞIRLIK / Weight	
	2,615 kg/mt	

Profil ağırlıklarımız teorik olup; teslim anındaki tartımız geçerlidir.

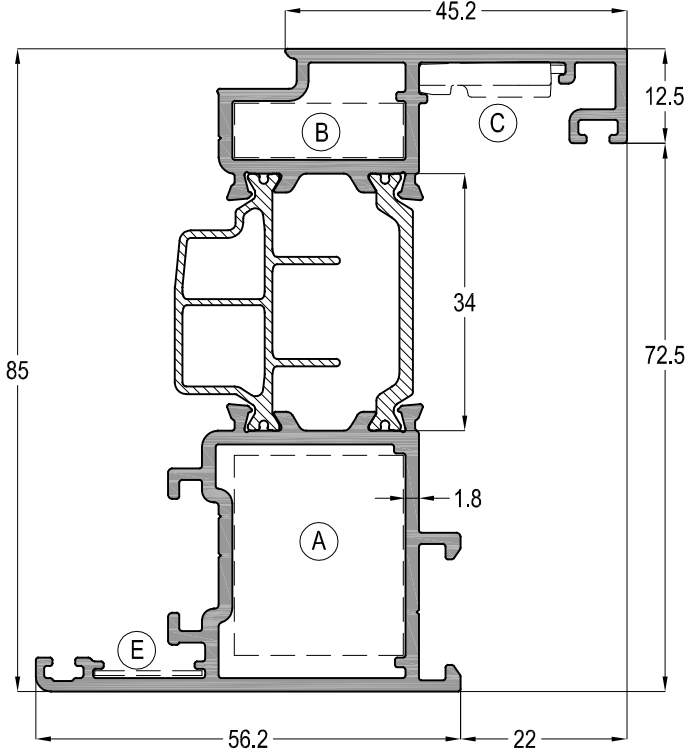



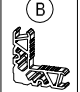
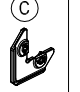
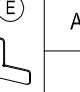
# TH78 - THS78

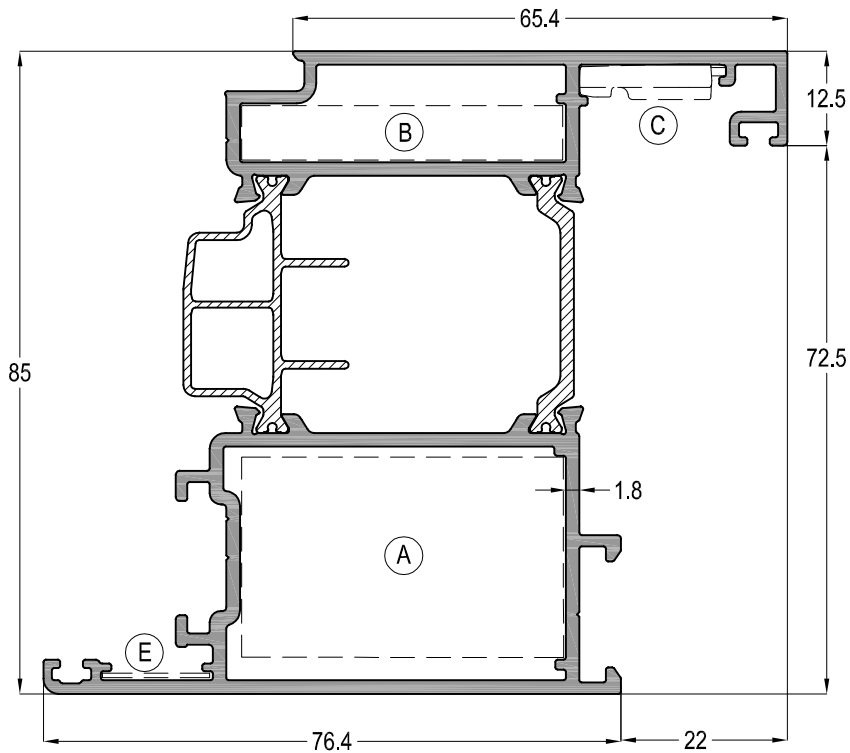
YALITIMLI KAPLI-PENCERE SİSTEMİ  
THERMAL WINDOW&DOOR SYSTEM







## THS SERİSİ DÜZ KANAT PROFİLLERİ THS SERIES FLAT SASH PROFILES



THS78 11		Jx cm <sup>4</sup>	Jy cm <sup>4</sup>		
		64,56	20,31		
 A	 B	 C	 E	AĞIRLIK / Weight	
ASI-KT 2660-ASI-PB 2326				1,863 kg/mt	
ASI-KT 2308					
ASI-FUJI 2000					
ASI-SB 19.1					



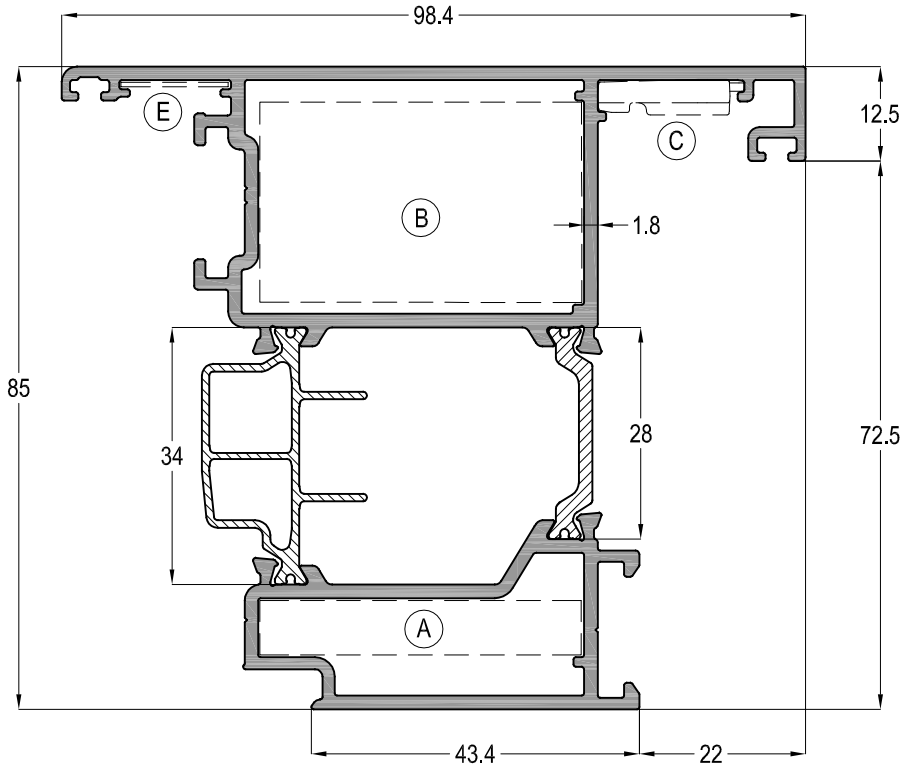
THS78 12		Jx cm <sup>4</sup>	Jy cm <sup>4</sup>		
		79,89	50,09		
 A	 B	 C	 E	AĞIRLIK / Weight	
ASI-KT 2650-ASI-PB 2650				2,257 kg/mt	
ASI-KT 4308					
ASI-FUJI 2000					
ASI-SB 19.1					




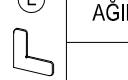
# TH78 - THS78

YALITIMLI KAPI-PENCERE SİSTEMİ  
THERMAL WINDOW&DOOR SYSTEM

**ASISTAL**

## THS SERİSİ DÜZ KANAT PROFİLLERİ THS SERIES FLAT SASH PROFILES



THS78 13		Jx cm <sup>4</sup>	Jy cm <sup>4</sup>
		78,73	50,17
AĞIRLIK / Weight			
2,288 kg/mt			
 ASI-KT 2650-ASI-PB 2650	 ASI-KT 4308	 ASI-FUJUI 2000	 ASI-SB 19.1

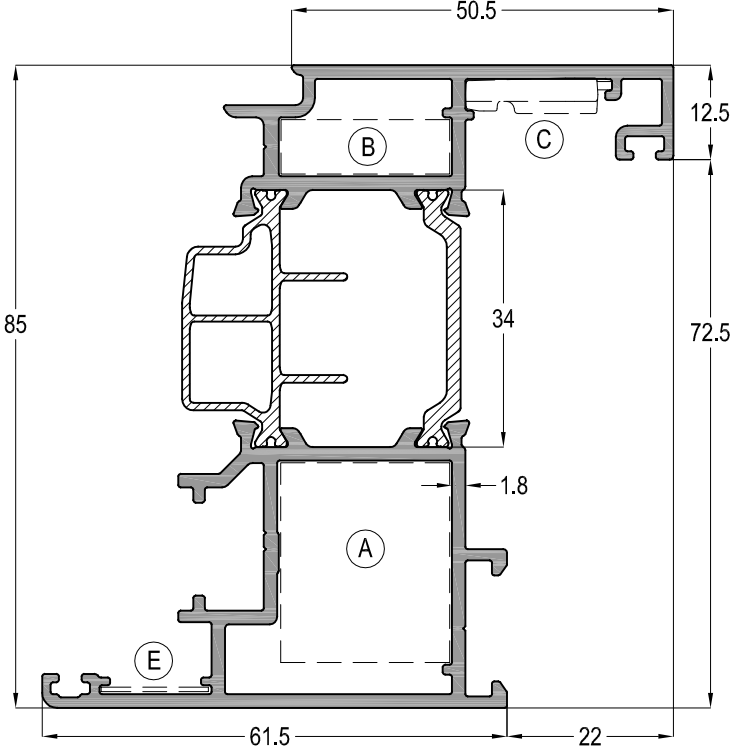
# TH78 - THS78

YALITIMLI KAPI-PENCERE SİSTEMİ  
THERMAL WINDOW&DOOR SYSTEM



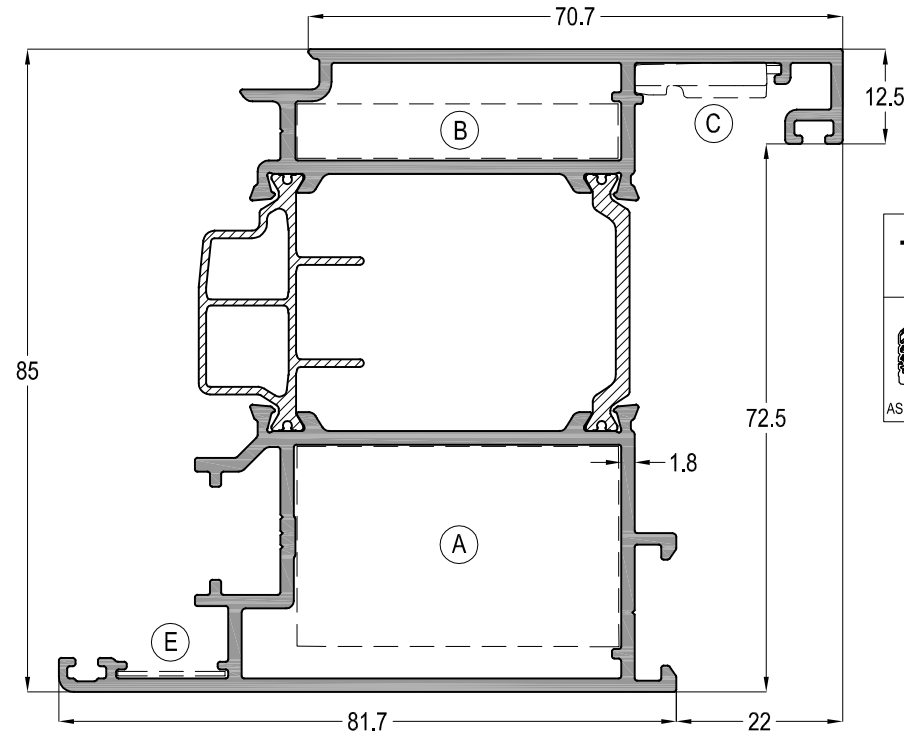
## THS SERİSİ ÇOK NOKTADAN KİLİTLEME KANAT PROFİLLERİ

THS SERIES MULTI POINT LOCK SASH PROFILES



THS78 14		Jx cm <sup>4</sup>	Jy cm <sup>4</sup>
		68,77	25,58
AĞIRLIK / Weight		1,981 kg/mt	

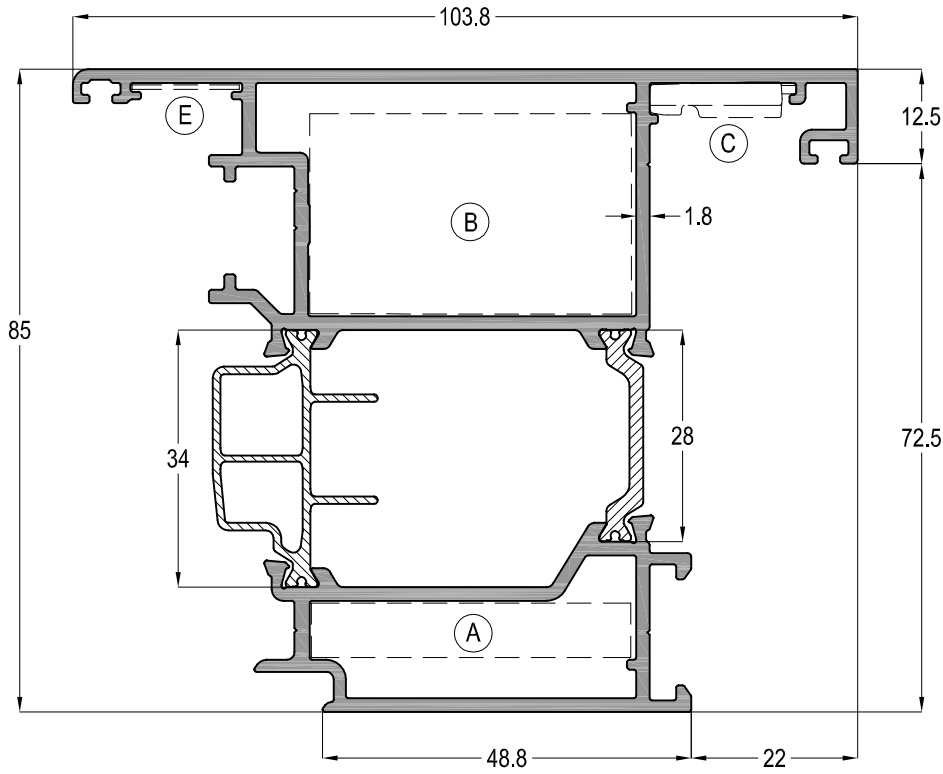
A	B	C	E


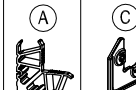
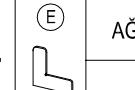
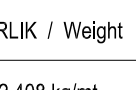


THS78 15		Jx cm <sup>4</sup>	Jy cm <sup>4</sup>
		84,10	59,64
AĞIRLIK / Weight		2,376 kg/mt	

A	B	C	E

THS SERİSİ ÇOK NOKTADAN KİLİTLEME  
KANAT PROFİLLERİ  
THS SERIES MULTI POINT LOCK SASH PROFILES



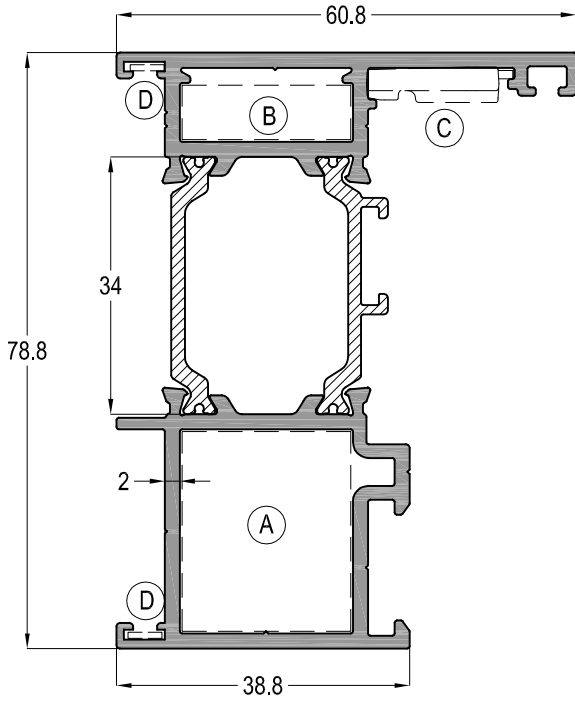
THS78 16		Jx cm <sup>4</sup>	Jy cm <sup>4</sup>
		83,01	59,94
			
AĞIRLIK / Weight			
2,408 kg/mt			


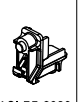
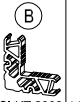
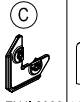
# TH78 - THS78

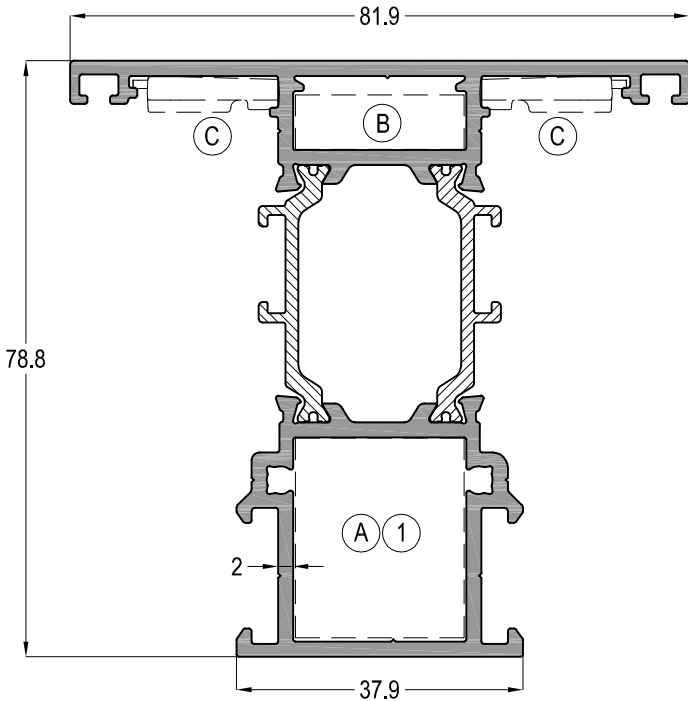
YALITIMLI KAPI-PENCERE SİSTEMİ  
THERMAL WINDOW&DOOR SYSTEM


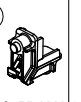
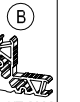



2 mm ET KALINLIĞINDA SİSTEM PROFİLLERİ  
2 mm THICKNESS SYSTEM PROFILES



TH78 201				Jx cm <sup>4</sup>	Jy cm <sup>4</sup>
				50,54	13,58
 ASI-KT 2660-ASI-PB 2326	 ASI-KT 2308	 ASI-FUJJI 2000	 ASI-SB 19	AĞIRLIK / Weight	
				1,710 kg/mt	

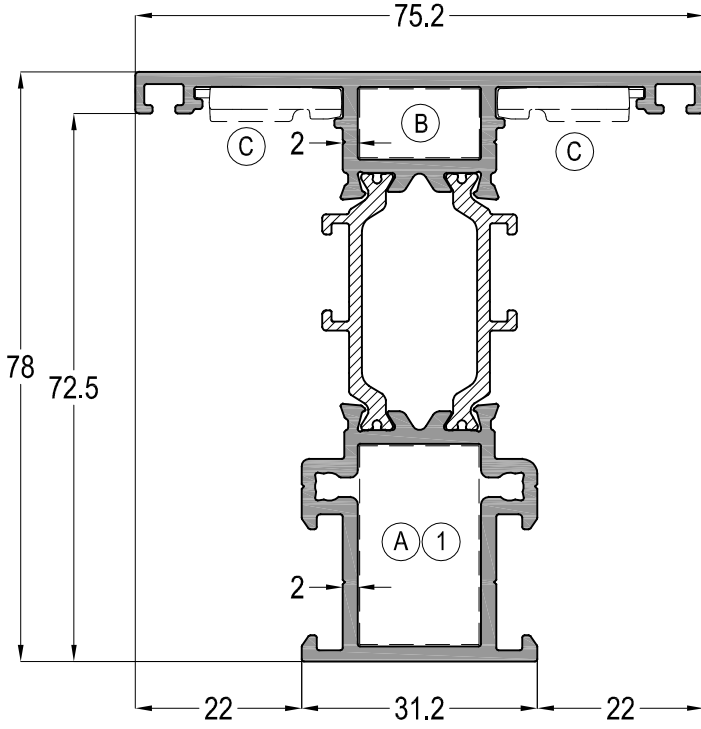


TH78 222					Jx cm <sup>4</sup>	Jy cm <sup>4</sup>
					57,26	20,27
 ASI-KT 2660-ASI-PB 2326	 ASI-KT 2308	 ASI-FUJJI 2000	 ASI-DB 9123	AĞIRLIK / Weight		
					1,882 kg/mt	

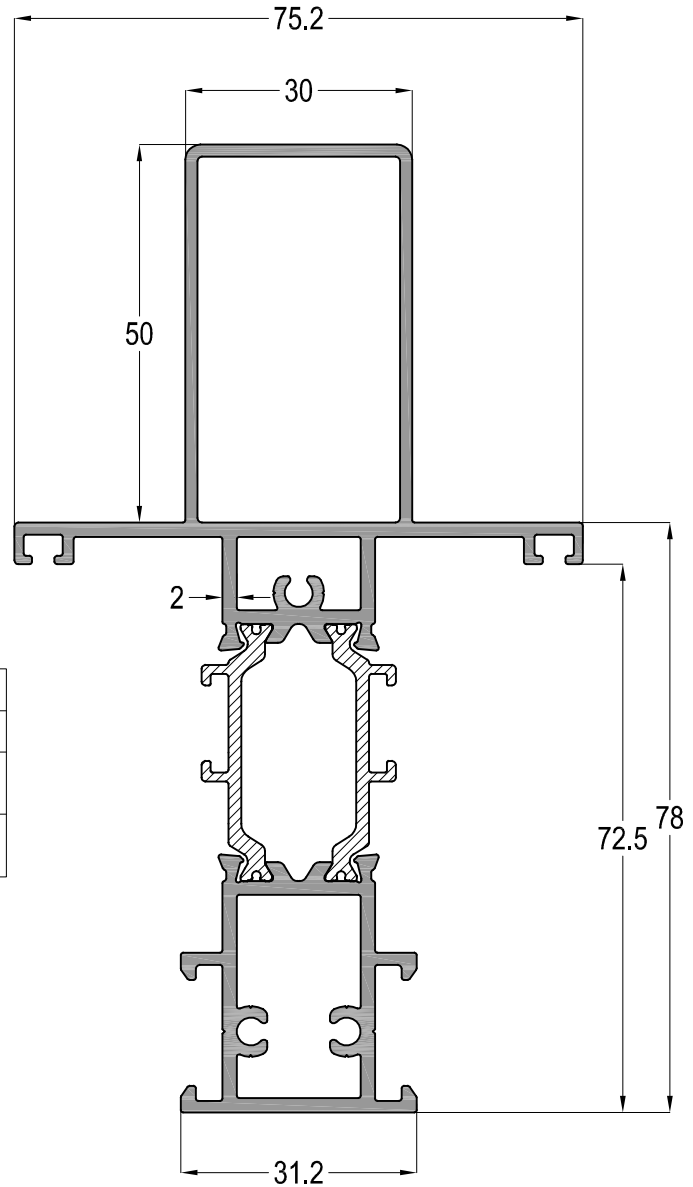
# TH78 - THS78

YALITIMLI KAPI-PENCERE SİSTEMİ  
THERMAL WINDOW&DOOR SYSTEM

ASISTAL



TH78 226				Jx cm <sup>4</sup>	Jy cm <sup>4</sup>
				40,30	13,88
(A)	(B)	(C)	(1)	AĞIRLIK / Weight	
ASI-KT 1626	ASI-KT 1609	ASI-FUJI 2000	ASI-DB 9116	1,733 kg/mt	



TH78 225			Jx cm <sup>4</sup>	Jy cm <sup>4</sup>
			119,24	16,41
			AĞIRLIK / Weight	
			2,276 kg/mt	

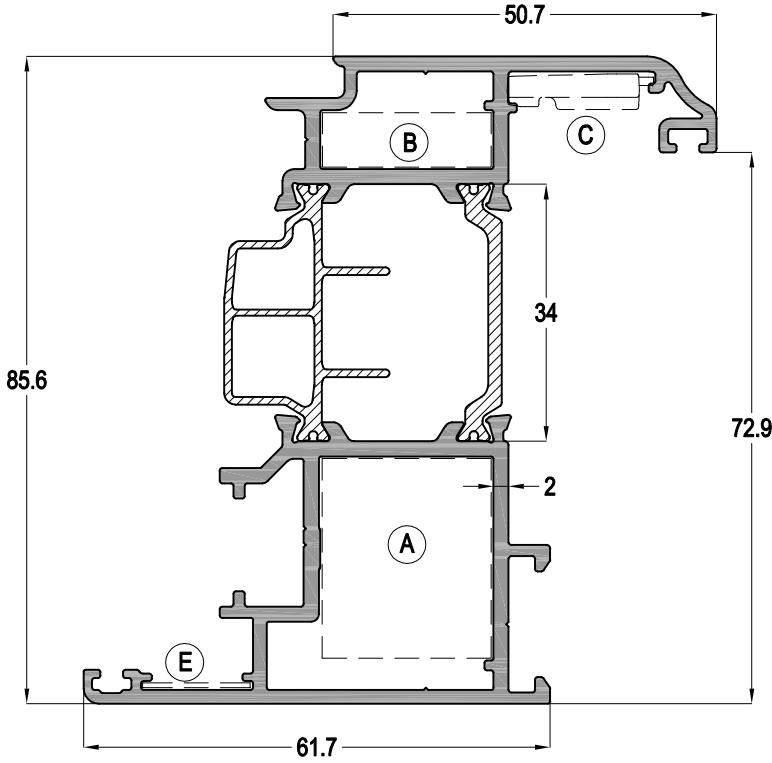
Profil ağırlıklarımız teorik olup; teslim anındaki tartımız geçerlidir.





# TH78 - THS78

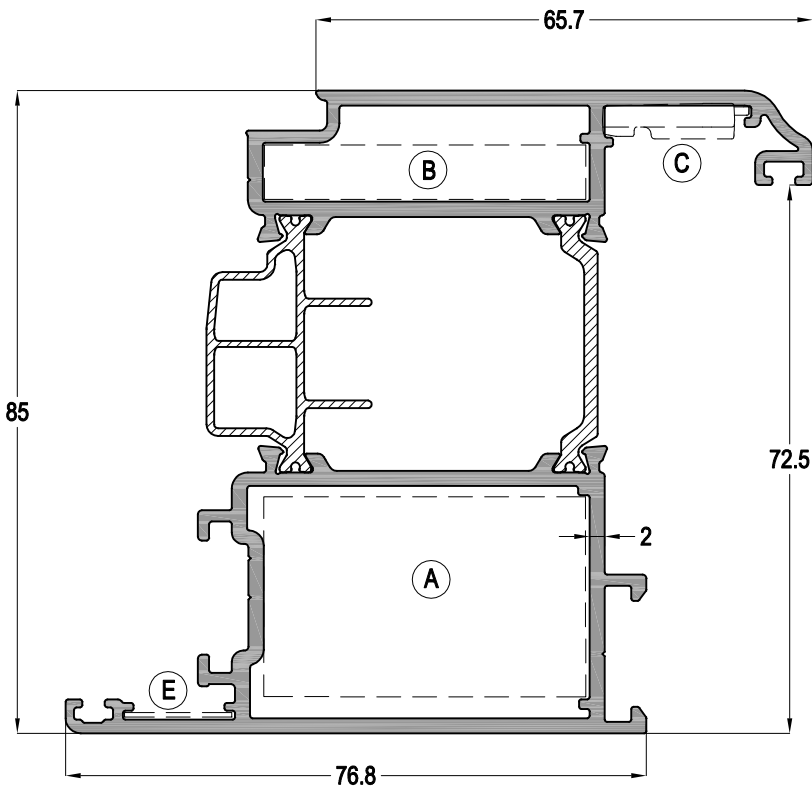
YALITIMLI KAPI-PENCERE SİSTEMİ  
THERMAL WINDOW&DOOR SYSTEM





**ASISTAL**

2 mm ET KALINLIĞINDA SİSTEM PROFİLLERİ  
2 mm THICKNESS SYSTEM PROFILES



TH78 214				Jx cm <sup>4</sup>	Jy cm <sup>4</sup>
				71,36	25,10
 A	 B	 C	 E	AĞIRLIK / Weight	
ASI-KT 2660-ASI-PB 2326 ASI-KT 2308 ASI-FUJI 2000 ASI-SB 19.1				2,063 kg/mt	



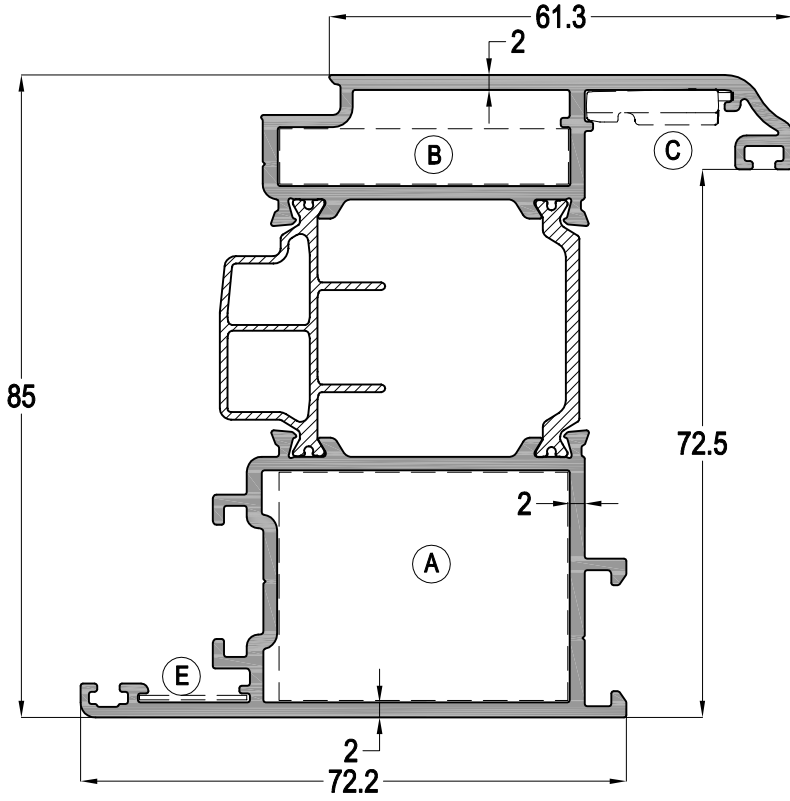
TH78 212				Jx cm <sup>4</sup>	Jy cm <sup>4</sup>
				84,00	50,54
 A	 B	 C	 E	AĞIRLIK / Weight	
ASI-KT 2650-ASI-PB 2650 ASI-KT 4308 ASI-FUJI 2000 ASI-SB 19.1				2,295 kg/mt	

Profil ağırlıklarımız teorik olup; teslim anındaki tartımız geçerlidir

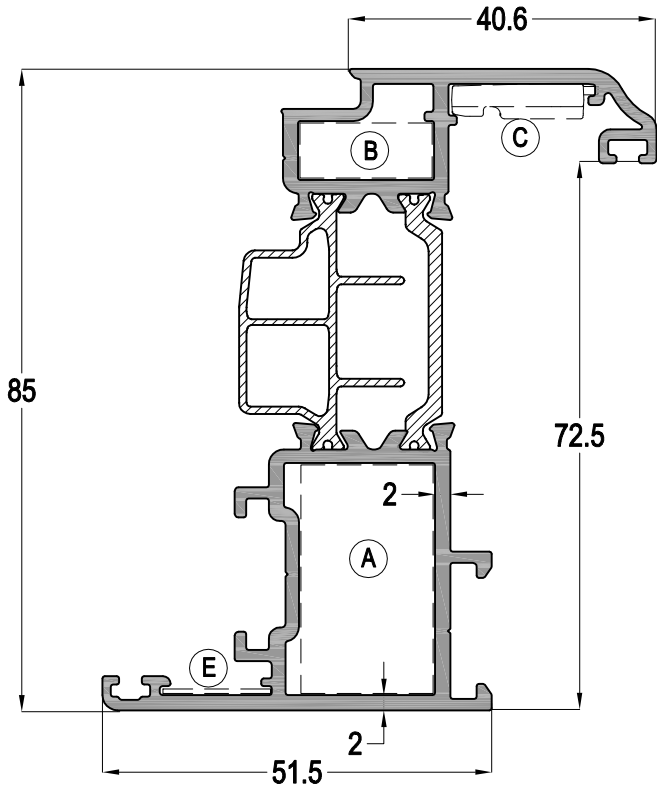
# TH78 - THS78

YALITIMLI KAPI-PENCERE SİSTEMİ  
THERMAL WINDOW&DOOR SYSTEM

ASISTAL



TH78 215				Jx cm <sup>4</sup>	Jy cm <sup>4</sup>
				34,13	27,60
(A)	(B)	(C)	(E)	AĞIRLIK / Weight	
				2,235 kg/mt	
ASI-KT 3830	ASI-KT 3807	ASI-FUJII 2000	ASI-SB 19.1		

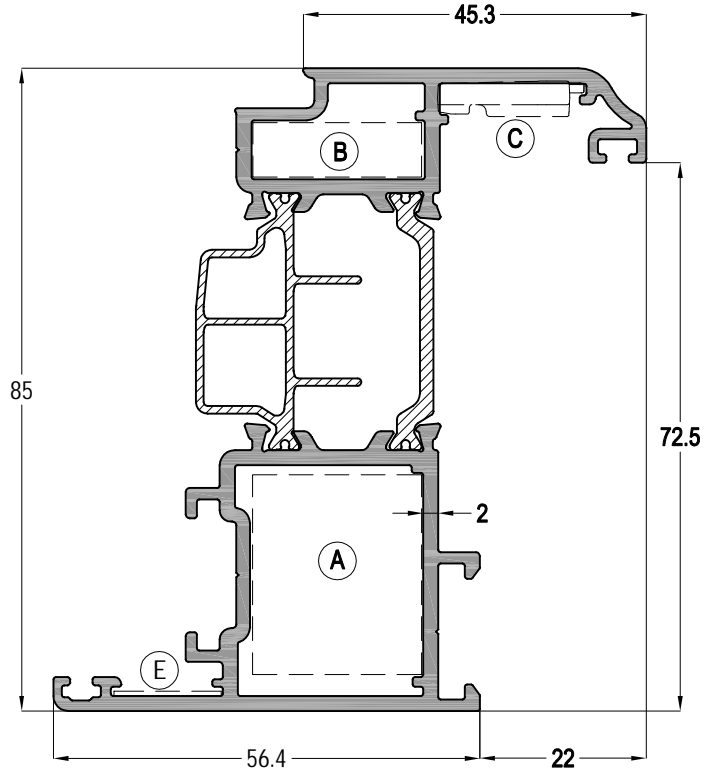


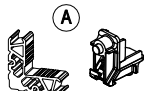
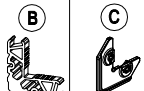

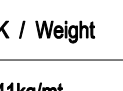
TH78 216				Jx cm <sup>4</sup>	Jy cm <sup>4</sup>
				13,25	5,79
(A)	(B)	(C)	(E)	AĞIRLIK / Weight	
				1,809 kg/mt	
ASI-KT 1830	ASI-KT 1807	ASI-FUJII 2000	ASI-SB 19.1		



# TH78 - THS78

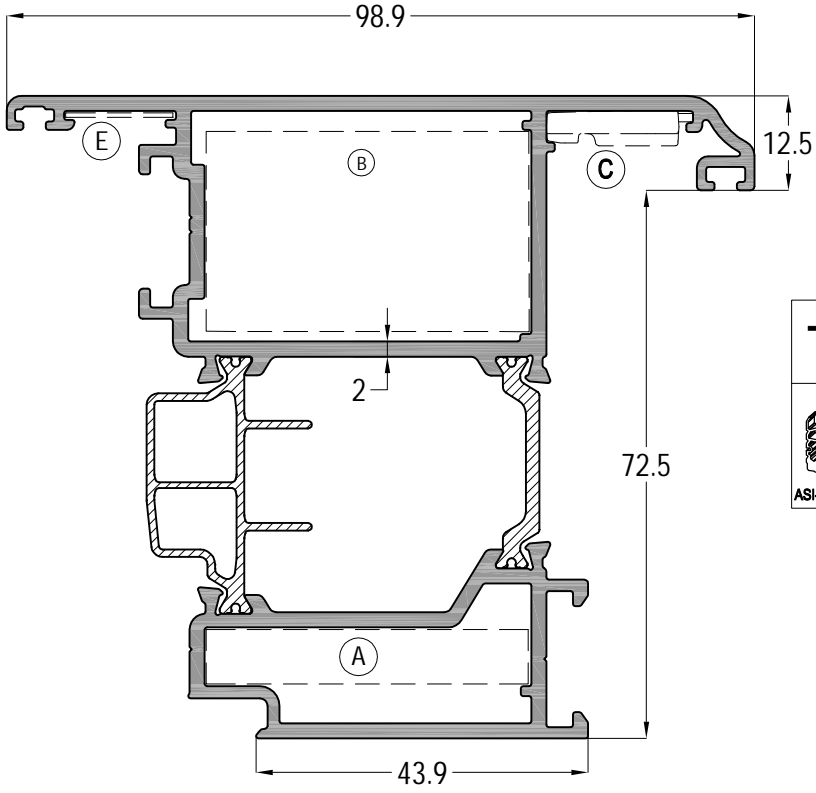
YALITIMLI KAPI-PENCERE SİSTEMİ  
THERMAL WINDOW&DOOR SYSTEM



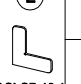
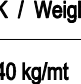


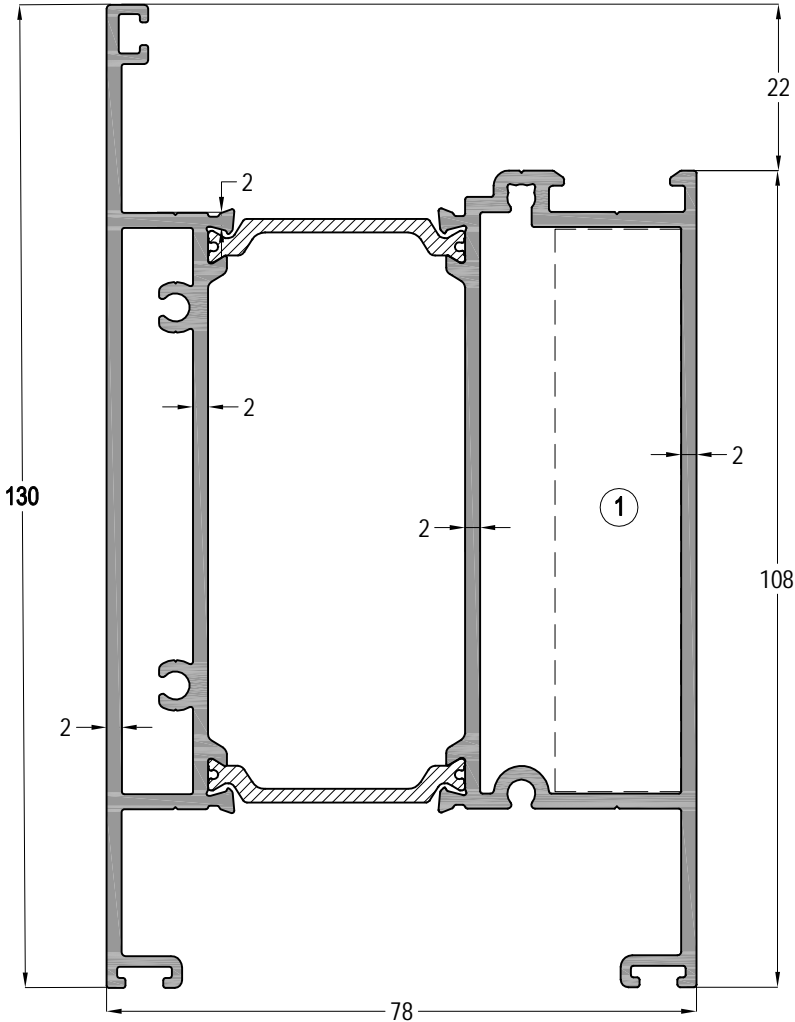
TH78 211				Jx cm <sup>4</sup>	Jy cm <sup>4</sup>
				AĞIRLIK / Weight	
ASI-KT 2660-ASI-PB 2326	ASI-KT 2308	ASI-FUJII 2000	ASI-SB 19.1	1,941kg/mt	

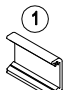
# TH78 - THS78

YALITIMLI KAPI-PENCERE S İSTEM  
THERMAL WINDOW&DOOR SYSTEM



TH78 213				
 ASI-KT 2650-ASI-PB 2650	 ASI-KT 4308	 ASI-FUJI 2000	 ASI-SB 19.1	<b>AĞIRLIK / Weight</b>
				<b>2,440 kg/mt</b>




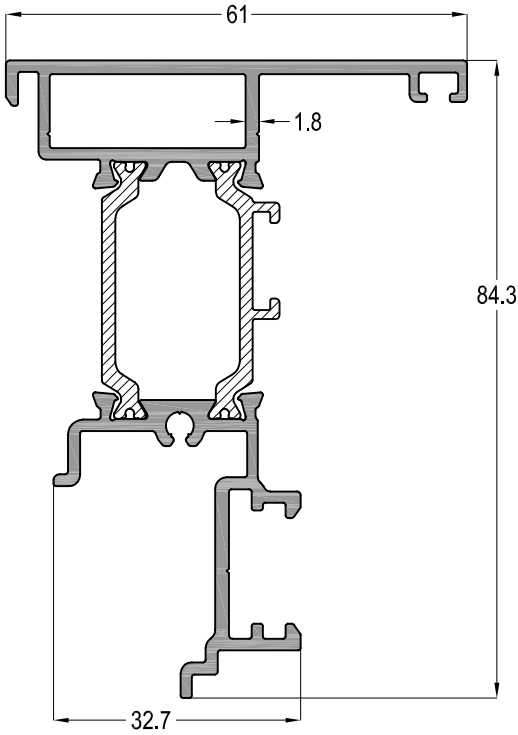
TH78 231	
 ASI-DB 9174	<b>AĞIRLIK / Weight</b>
<b>3,165 kg/mt</b>	




# TH78 - THS78

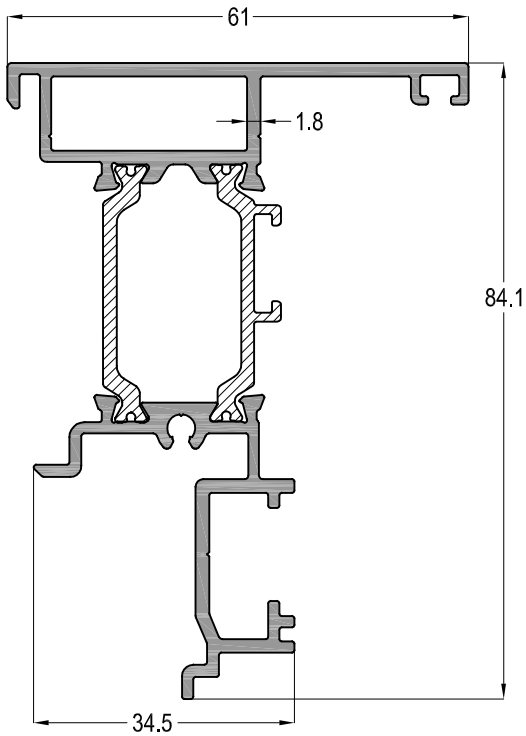
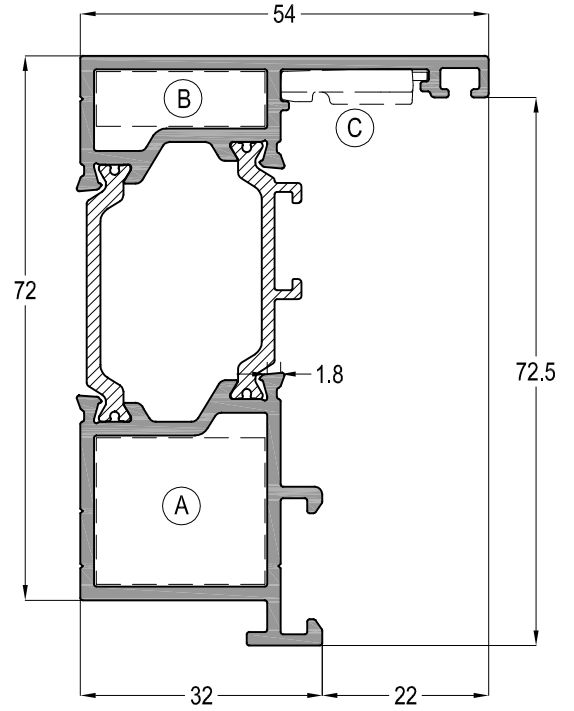
YALITIMLI KAPI-PENCERE SİSTEMİ  
THERMAL WINDOW&DOOR SYSTEM

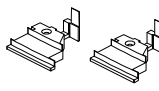


<b>TH78 41</b>	
 TH78 HOK	AĞIRLIK / Weight 1,377 kg/mt



<b>TH78 43</b>			
 A ASI-KT 2319	 B ASI-KT 2308	 C ASH-FUJI 2000	AĞIRLIK / Weight 1,461 kg/mt



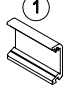
<b>TH78 42</b>	
 TH78 HOK	AĞIRLIK / Weight 1,399 kg/mt

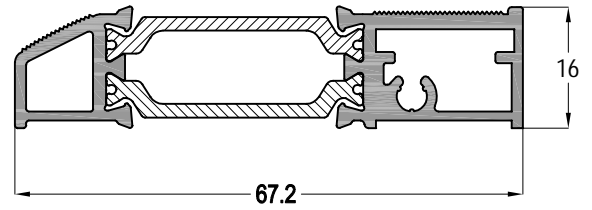
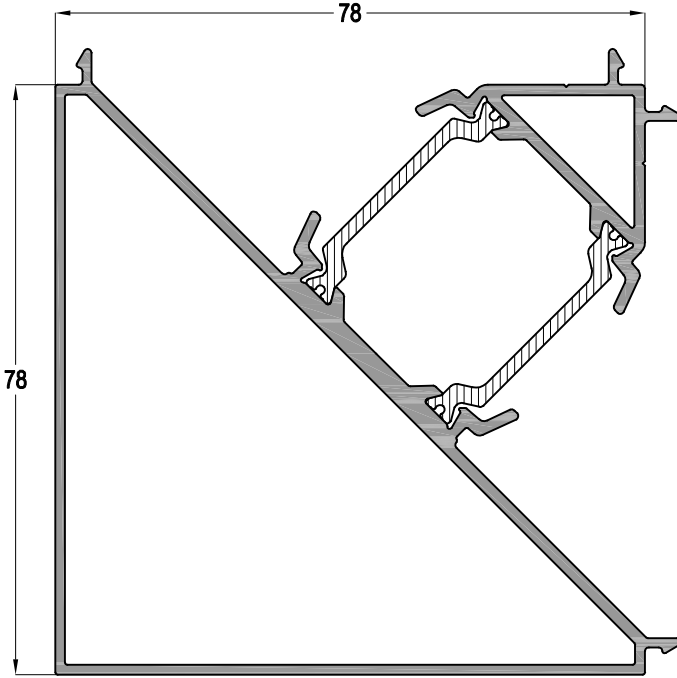
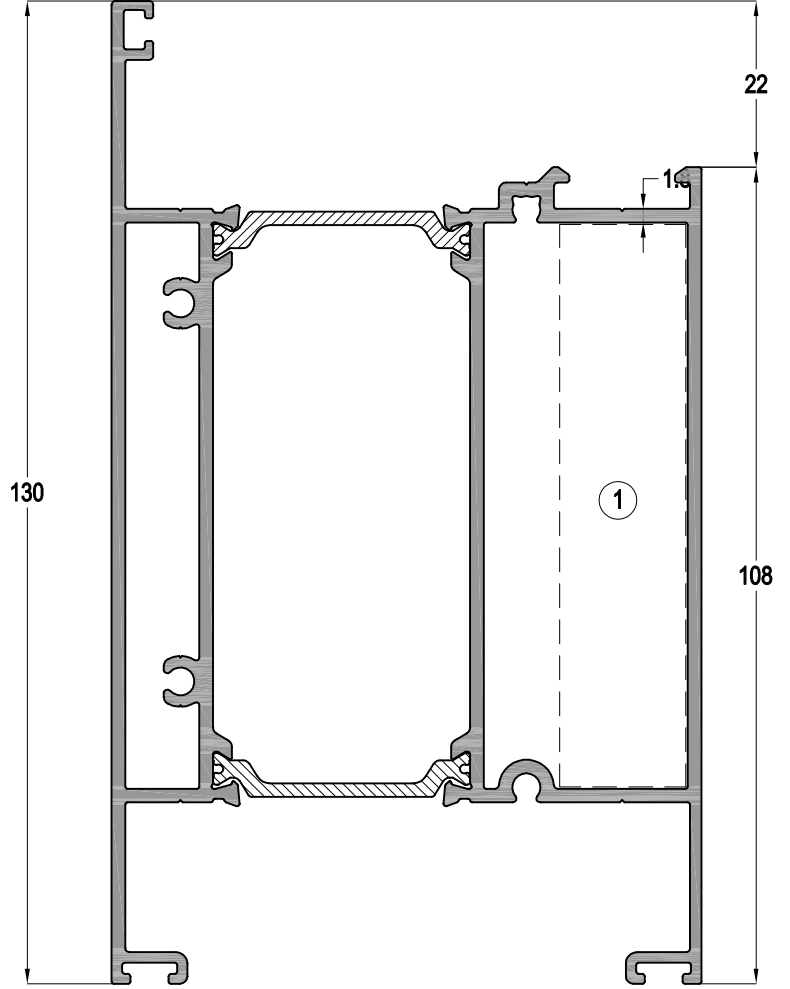
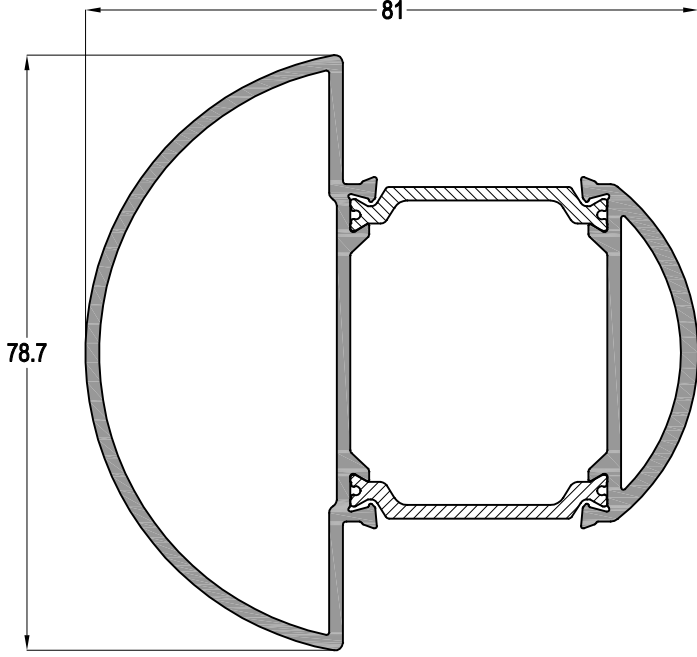
# TH78 - THS78

YALITIMLI KAPI-PENCERE SİSTEMİ  
THERMAL WINDOW&DOOR SYSTEM

## ASISTAL

TH78 52	Jx cm <sup>4</sup>	Jy cm <sup>4</sup>
	31,05	43,95
	AĞIRLIK / Weight	
	1,751 kg/mt	

TH78 31	Jx cm <sup>4</sup>	Jy cm <sup>4</sup>
	136,54	92,88
	AĞIRLIK / Weight	
 ASI-DB 9174	2,905 kg/mt	



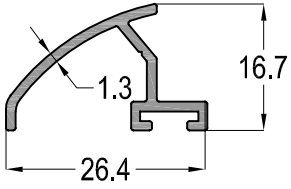
TH78 53	Jx cm <sup>4</sup>	Jy cm <sup>4</sup>
	44,84	52,74
	AĞIRLIK / Weight	
	1,909 kg/mt	

12-38	AĞIRLIK / Weight	
	0,865 kg/mt	

# TH78 - THS78

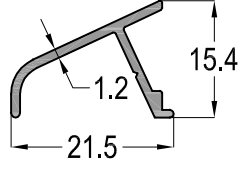
YALITIMLI KAPI-PENCERE SİSTEMİ  
THERMAL WINDOW&DOOR SYSTEM

## ASISTAL



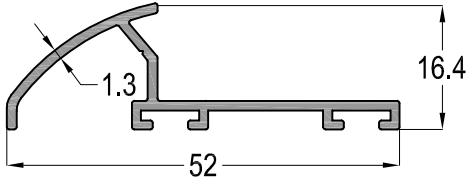
12-01

0,198 kg/mt



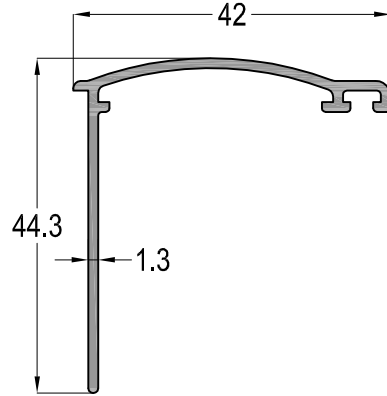
12-02

0,136 kg/mt



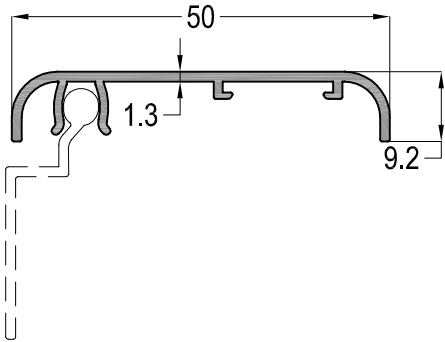
12-03

0,313 kg/mt



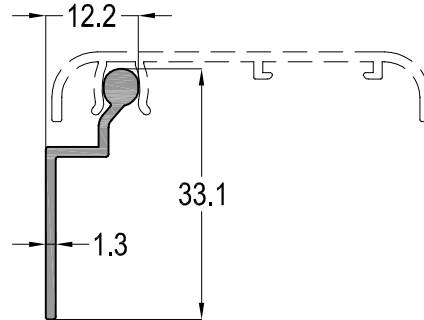
12-54

0,326 kg/mt



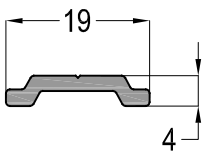
12-52

0,279 kg/mt



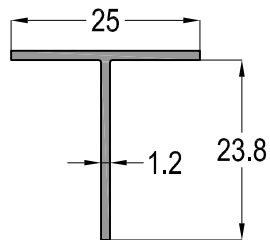
12-53

0,177 kg/mt



12-41

0,118 kg/mt



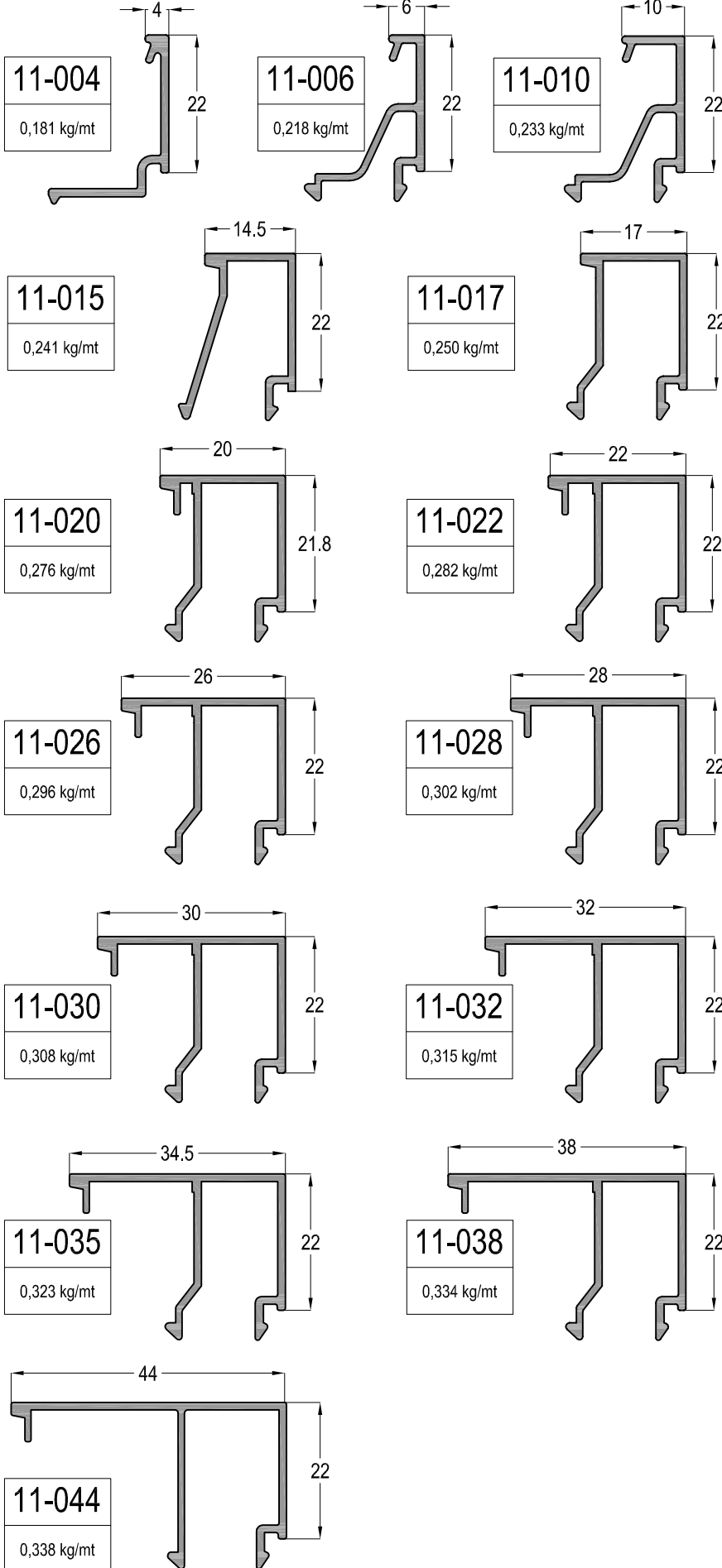
04-025025-12

0,158 kg/mt

# TH78 - 1,8mm

YALITIMLI KAPI-PENCERE SİSTEMİ  
THERMAL WINDOW&DOOR SYSTEM

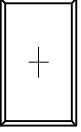
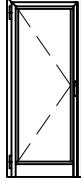
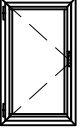
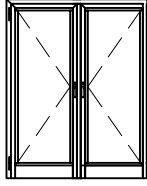
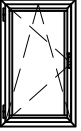
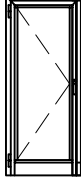
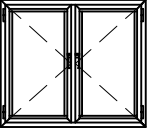
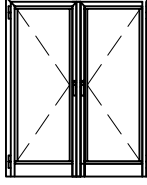
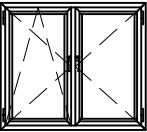
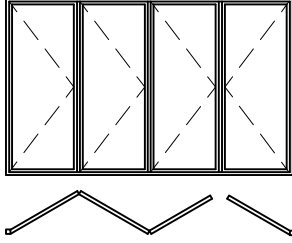

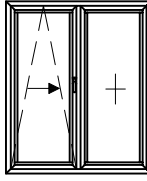
## ASISTAL



CAM KALINLIĞINA GÖRE CAM ÇİTASI SEÇİM TABLOSU  
Glazing Bead Selection Table according to the Glass Thickness

CAM KALINLIĞI Glass Thickness (mm)	CAM ÇİTASI Glazing Bead	İÇ CAM FİTİLİ Glass Gasket (IN)	DIŞ CAM FİTİLİ Glass Gasket (OUT)
20	11-044	EP2-03	EP1-01
22	11-044	EP2-01	EP1-01
27	11-038	EP2-03	EP1-01
28	11-038	EP2-02	EP1-01
29	11-038	EP2-01	EP1-01
30	11-035	EP2-03	EP1-01
31	11-035	EP2-02	EP1-01
32	11-035	EP2-01	EP1-01
33	11-032	EP2-03	EP1-01
34	11-032	EP2-02	EP1-01
35	11-032	EP2-01	EP1-01
36	11-030	EP2-02	EP1-01
37	11-030	EP2-01	EP1-01
38	11-028	EP2-02	EP1-01
39	11-028	EP2-01	EP1-01
40	11-026	EP2-01	EP1-01
41	11-026	EP2-01	EP1-01
43	11-022	EP2-03	EP1-01
44	11-022	EP2-02	EP1-01
45	11-022	EP2-01	EP1-01
46	11-020	EP2-02	EP1-01
47	11-020	EP2-01	EP1-01
48	11-017	EP2-03	EP1-01
49	11-017	EP2-02	EP1-01
50	11-017	EP2-01	EP1-01
51	11-015	EP2-02	EP1-01
52	11-015	EP2-01	EP1-01
55	11-010	EP2-03	EP1-01
56	11-010	EP2-02	EP1-01
57	11-010	EP2-01	EP1-01
59	11-006	EP2-03	EP1-01
60	11-006	EP2-02	EP1-01
61	11-006	EP2-01	EP1-01
62	11-004	EP2-02	EP1-01
63	11-004	EP2-01	EP1-01

**AÇILIM TİPLERİ** - OPENING TYPES

 <p>SABİT FIXED</p>	 <p>TEK KANAT İÇE AÇILIR KAPI SINGLE INNER OPENING DOOR</p>
 <p>TEK AÇILIR KANAT SINGLE OPENING SASH</p>	 <p>ÇİFT KANAT İÇE AÇILIR KAPI DOUBLE INNER OPENING DOOR</p>
 <p>TEK KANAT ÇİFT EKSEN AÇILIM KANAT SINGLE TILT-TURN OPENING SASH</p>	 <p>TEK KANAT DIŞA AÇILIR KAPI SINGLE OUTER OPENING DOOR</p>
 <p>ÇİFT AÇILIR KANAT DOUBLE OPENING SASH</p>	 <p>ÇİFT KANAT DIŞA AÇILIR KAPI DOUBLE OUTER OPENING DOOR</p>
 <p>ÇİFT EKSEN AÇILIM KANAT DOUBLE TILT-TURN OPENING SASH</p>	 <p>KATLANIR KAPI FOLDING DOOR</p>
 <p>VASİSTAS AÇILIR KANAT VENT OPENING SASH</p>	 <p>PARALEL SÜRME KAPI PARALLEL SLIDING OPENING DOOR</p>

**TH78 - 1,8mm**

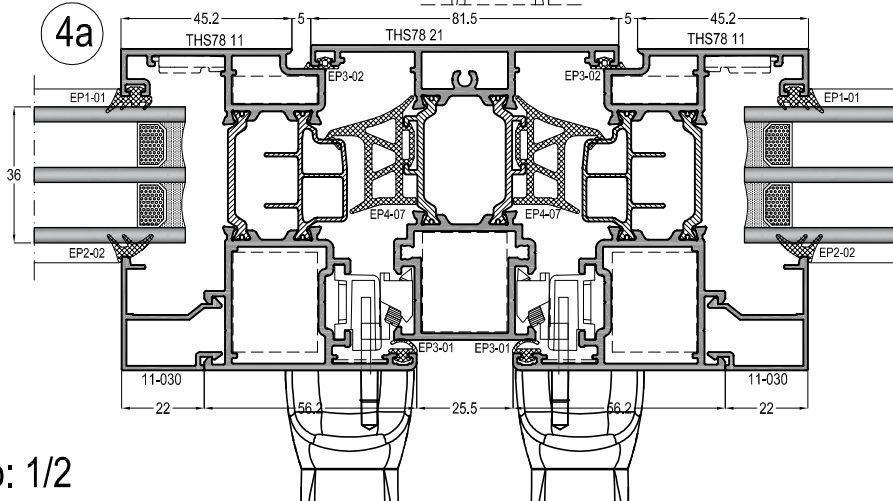
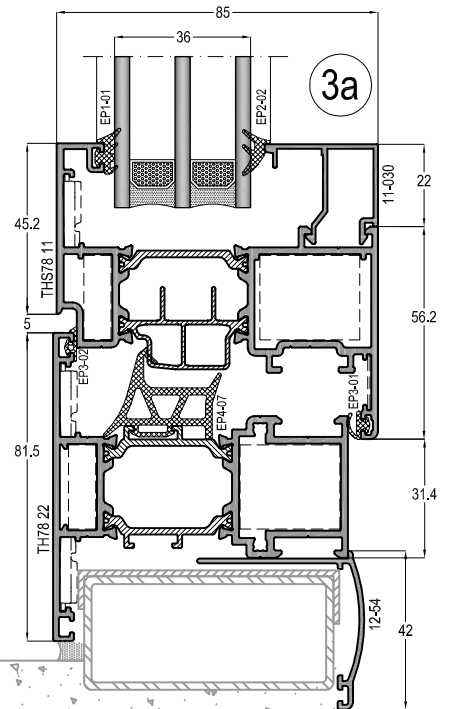
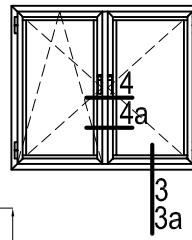
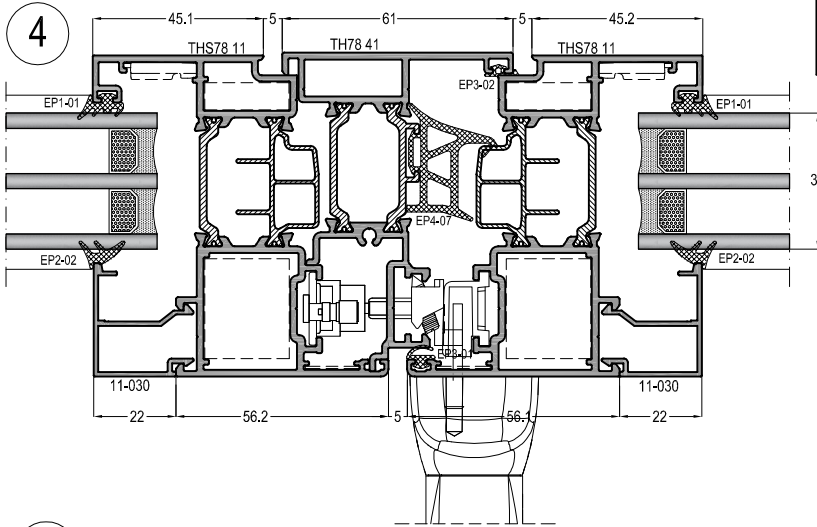
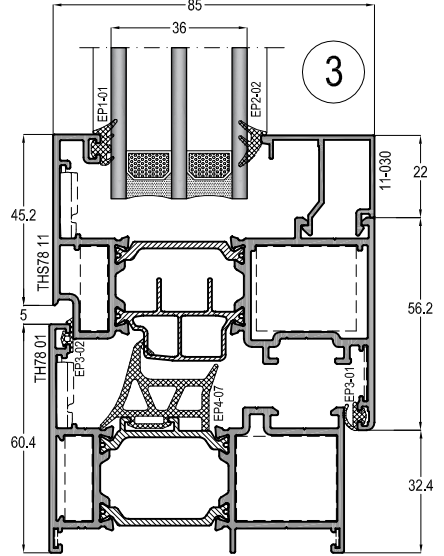
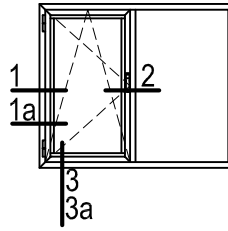
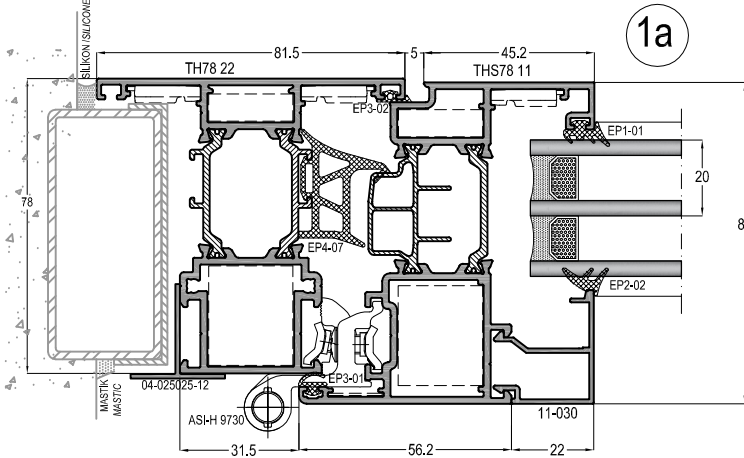
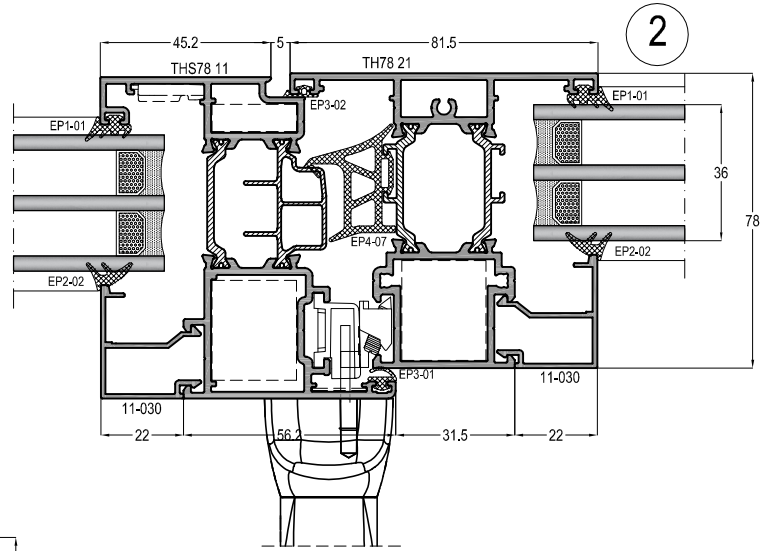
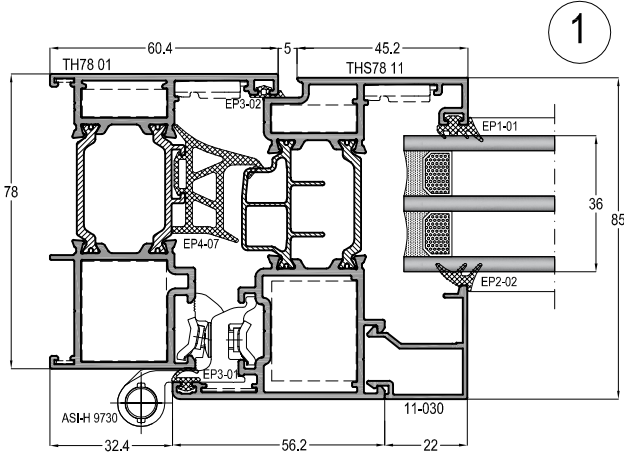
YALITIMLI KAPI-PENCERE SİSTEMİ  
THERMAL WINDOW&DOOR SYSTEM

**ASISTAL**

**THS SİSTEM DETAYLARI**  
*THS SYSTEM DETAILS*

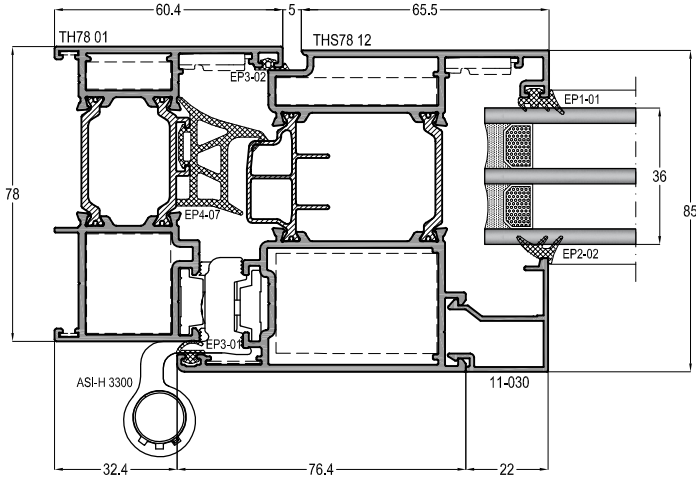


### PENCERE AÇILIM DETAYLARI WINDOW OPENING DETAILS

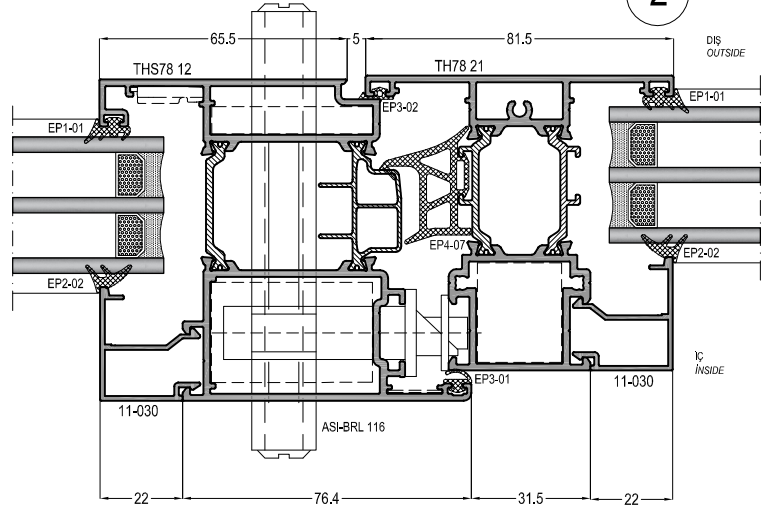


### İÇE AÇILIR KAPI DETAYLARI INNER OPENING DOOR DETAILS

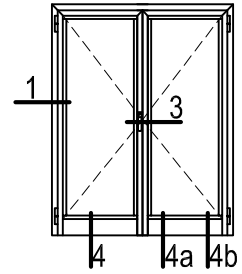
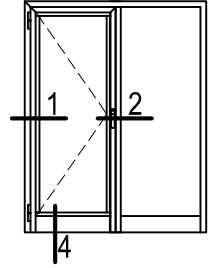
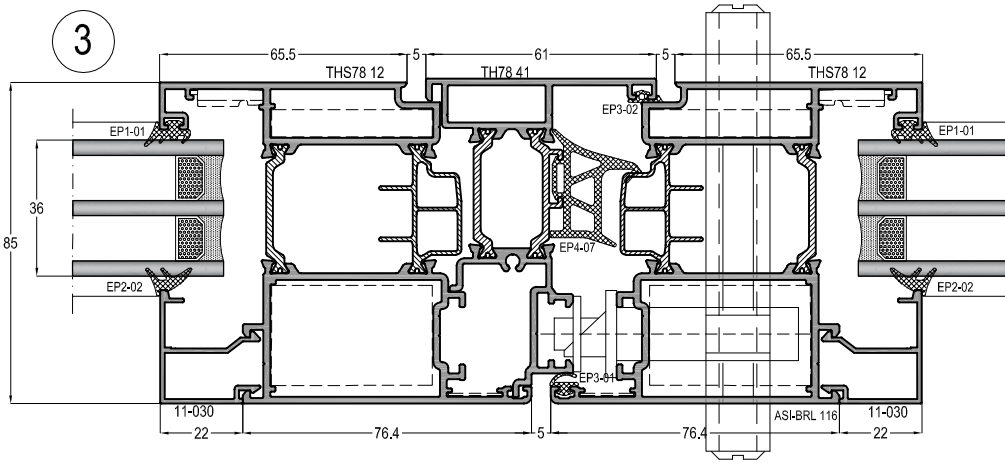
1



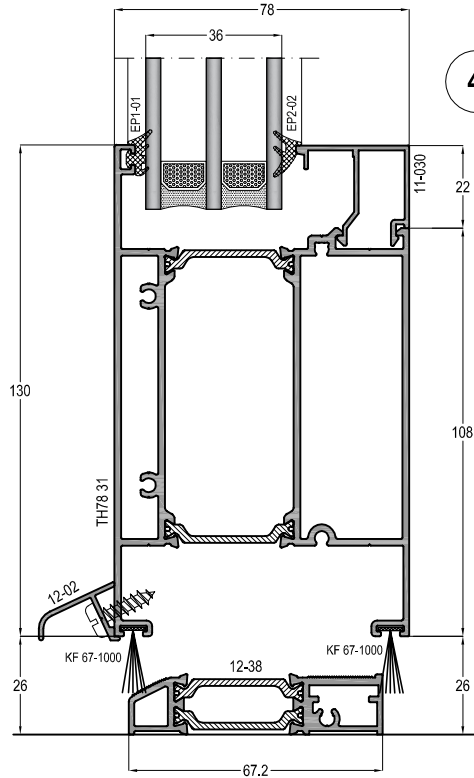
2



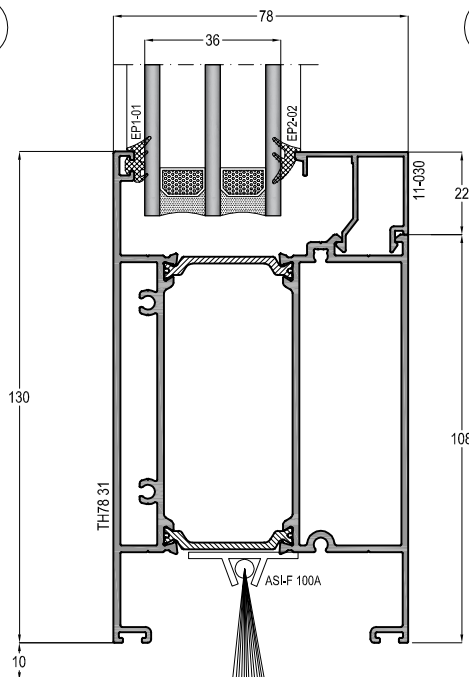
3



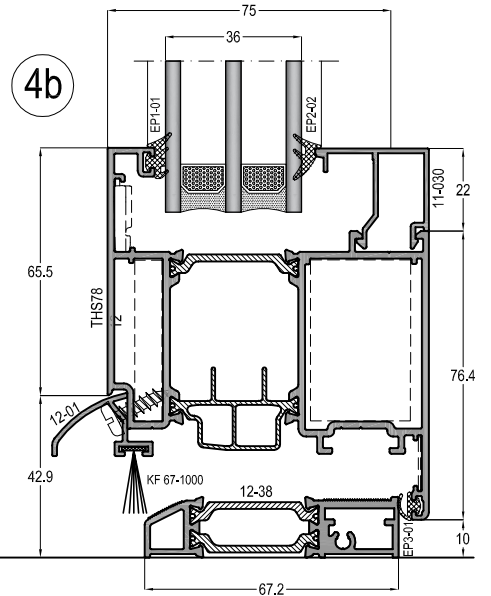
4



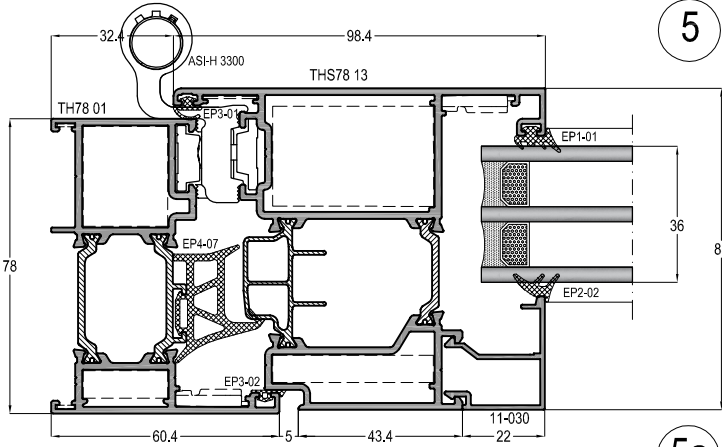
4a



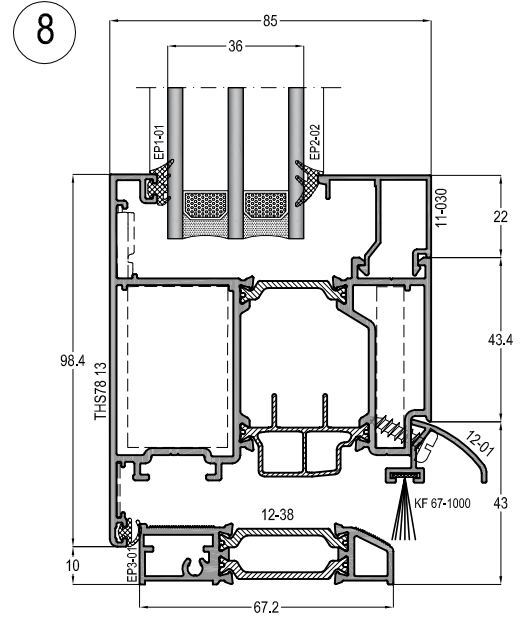
4b



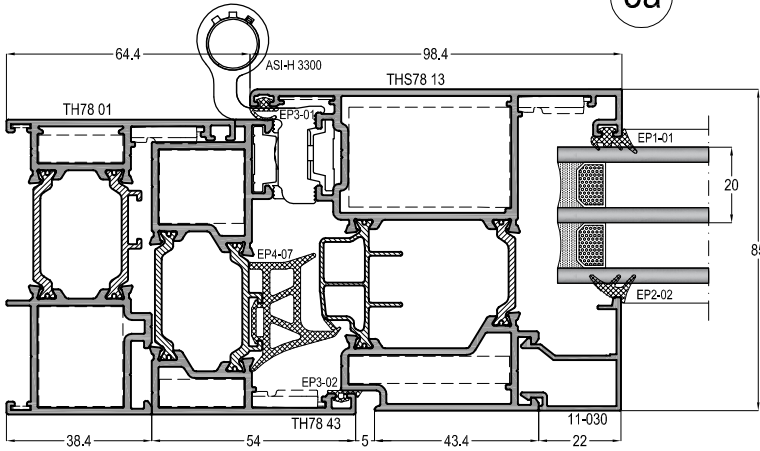
### DIŞA AÇILIR KAPI DETAYLARI OUTER OPENING DOOR DETAILS



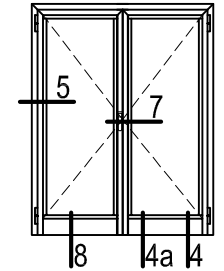
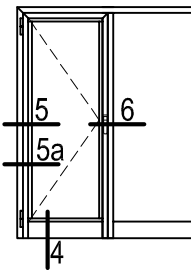
5



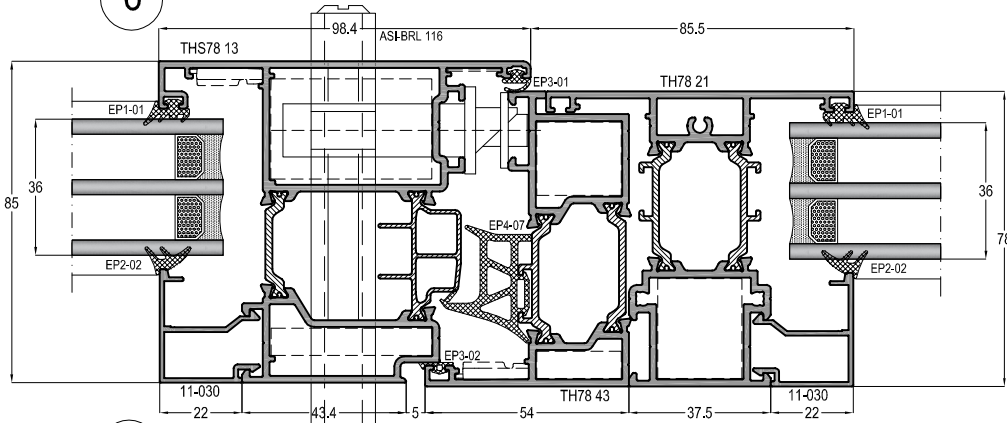
8



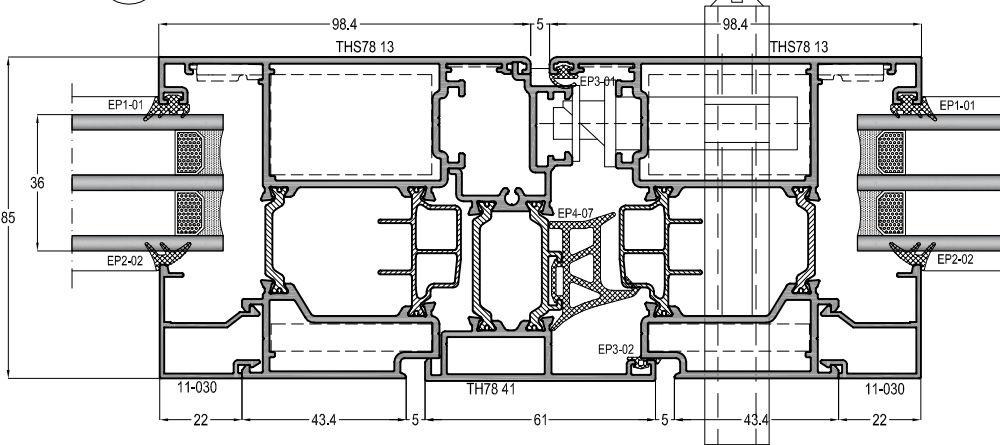
5a



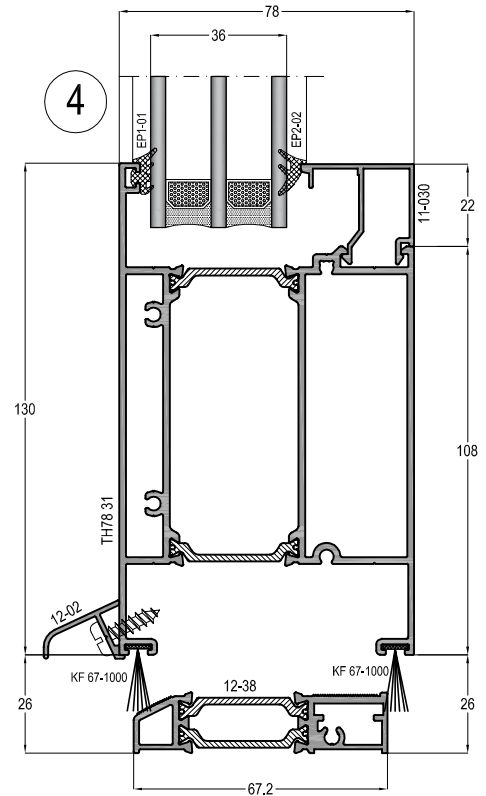
6



7

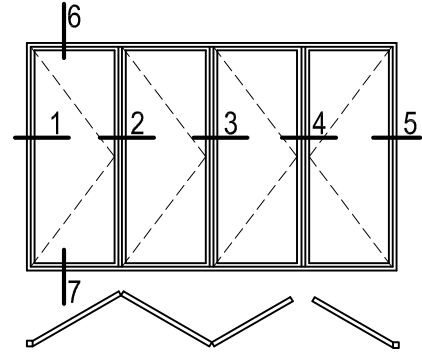
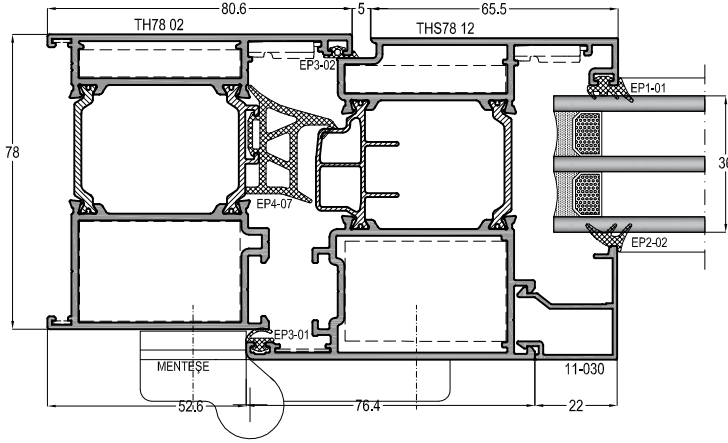


4

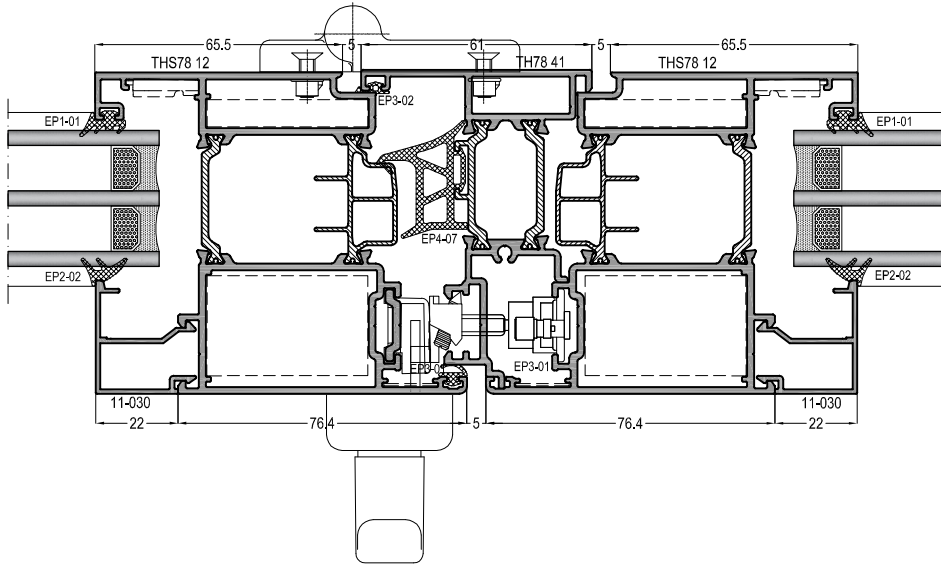


### KATLANIR KAPI DETAYLARI FOLDING DOOR DETAILS

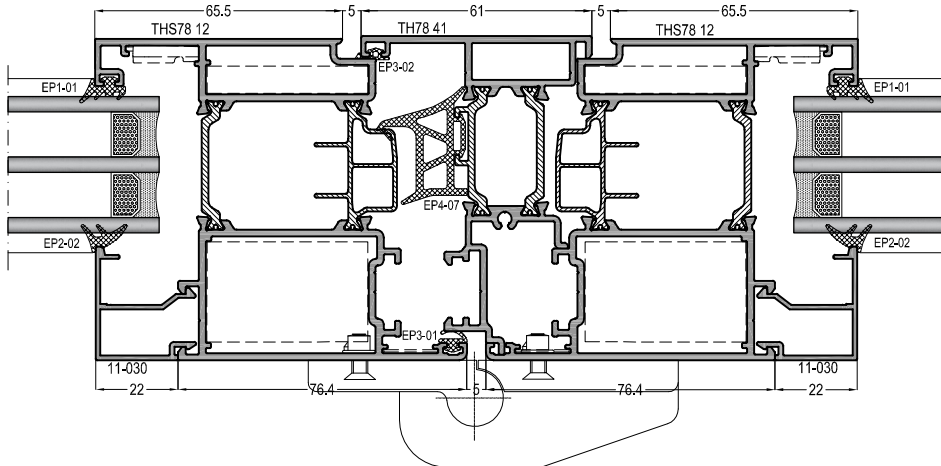
1



2



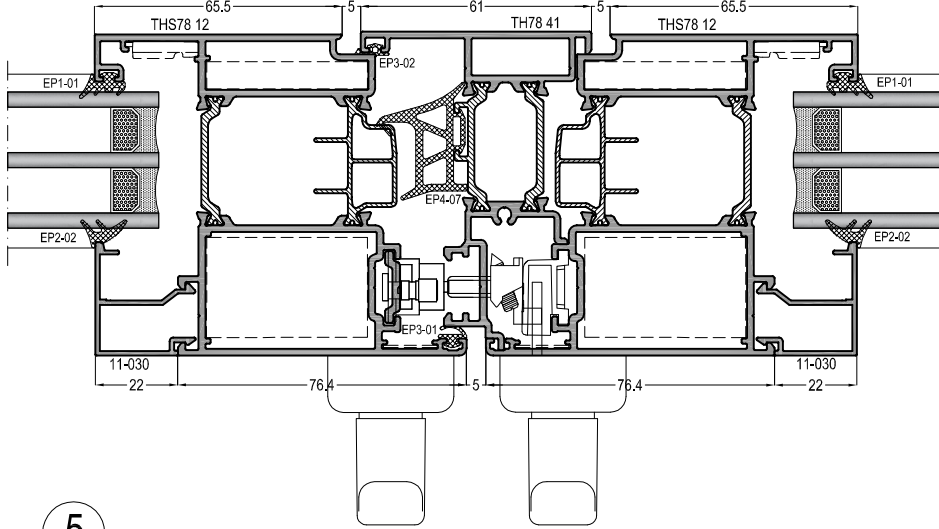
3



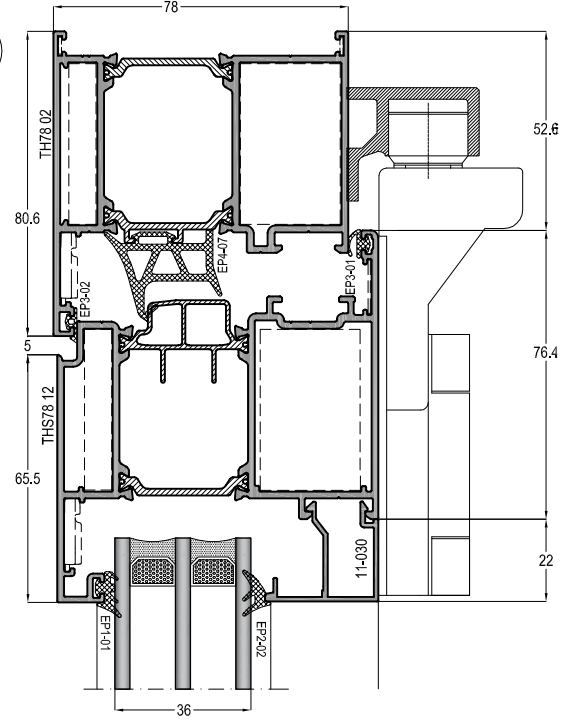
### KATLANIR KAPI DETAYLARI

### FOLDING DOOR DETAILS

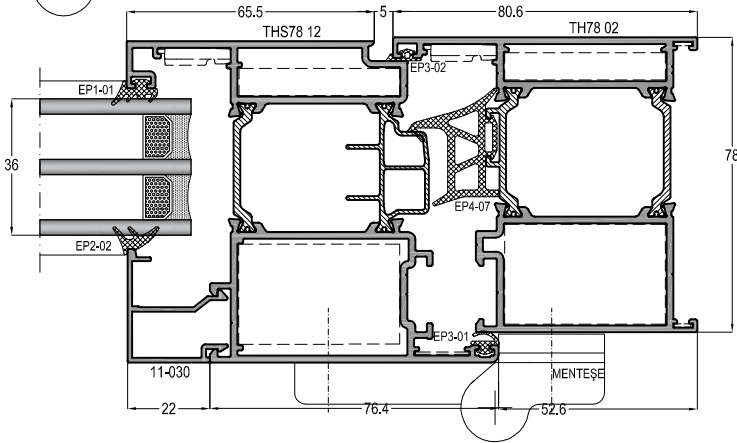
4



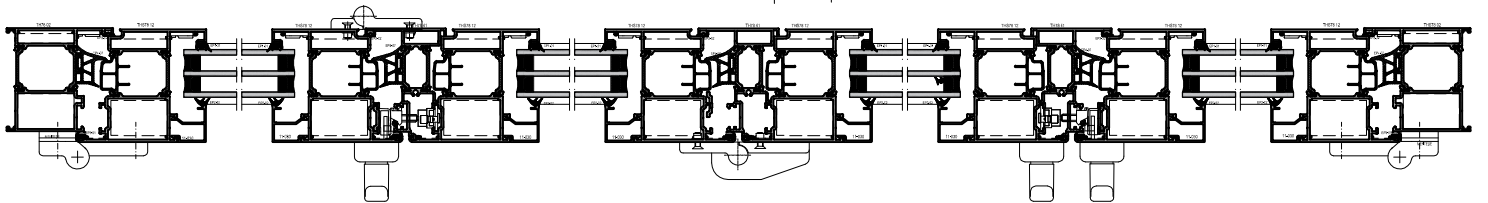
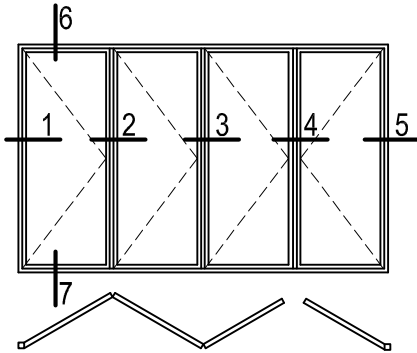
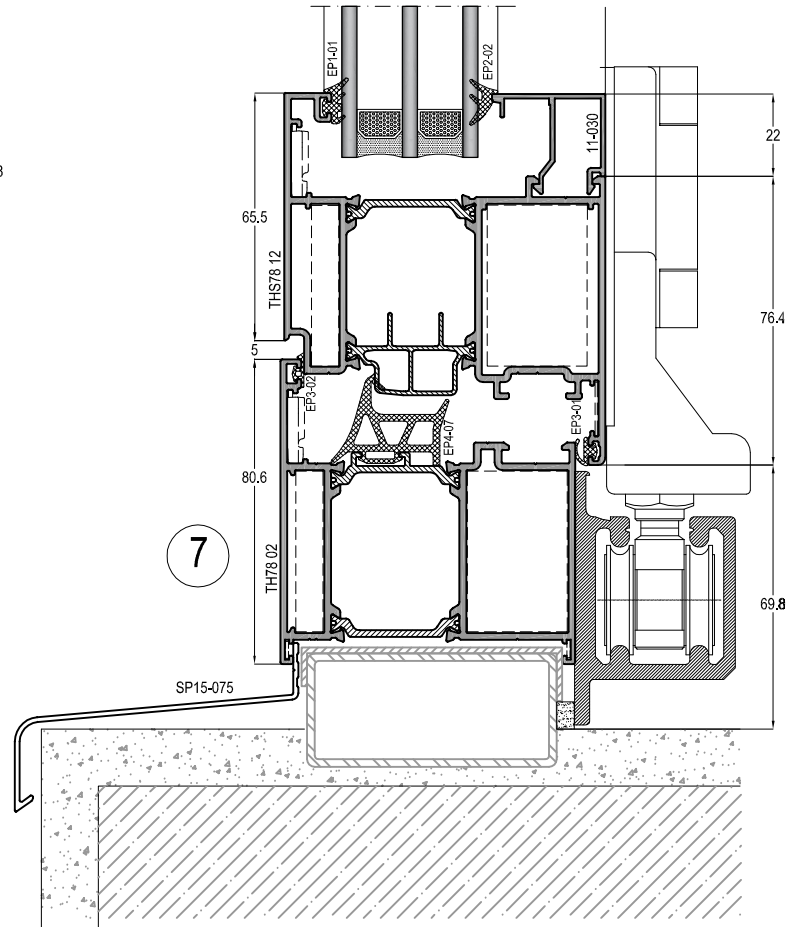
6



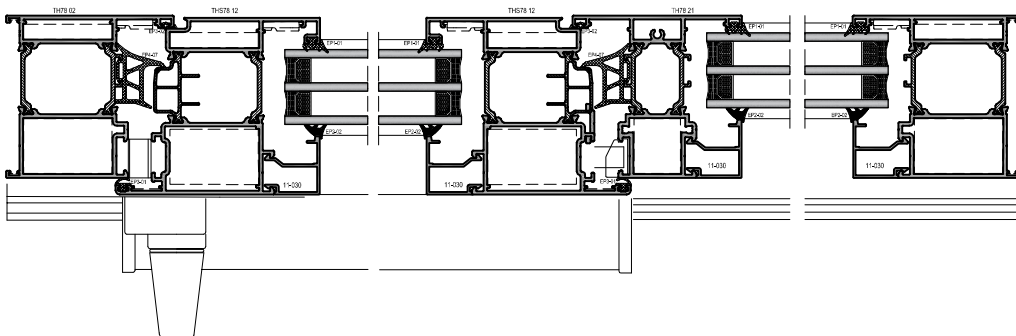
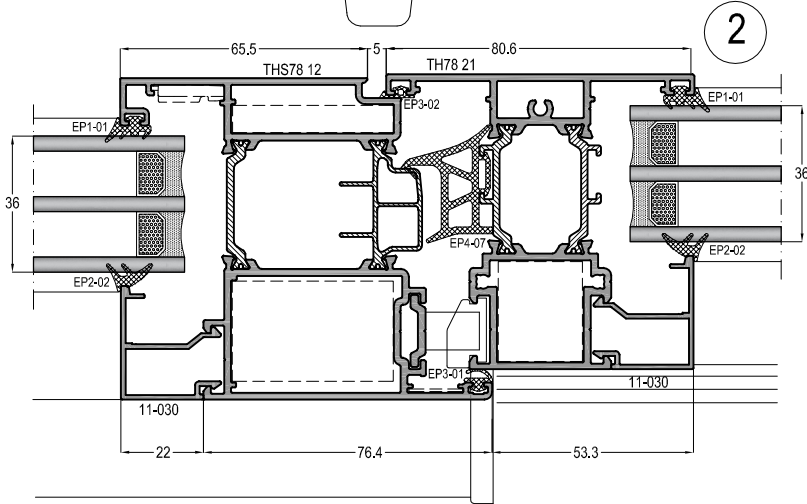
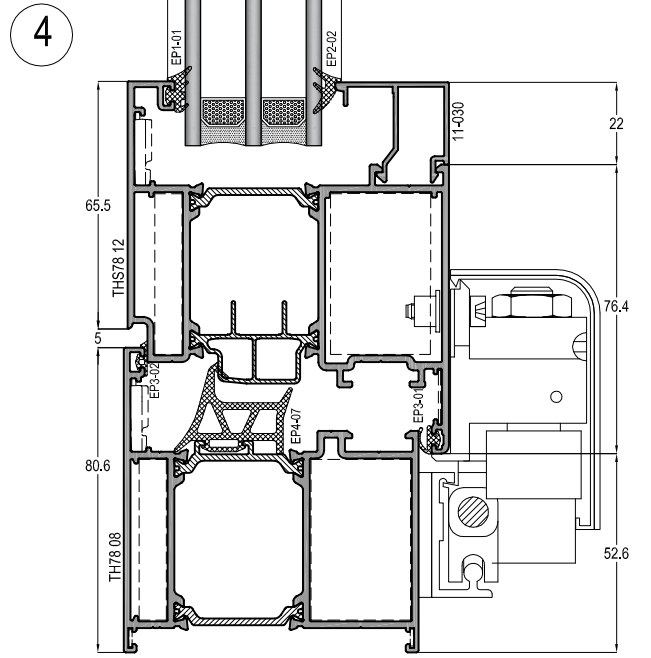
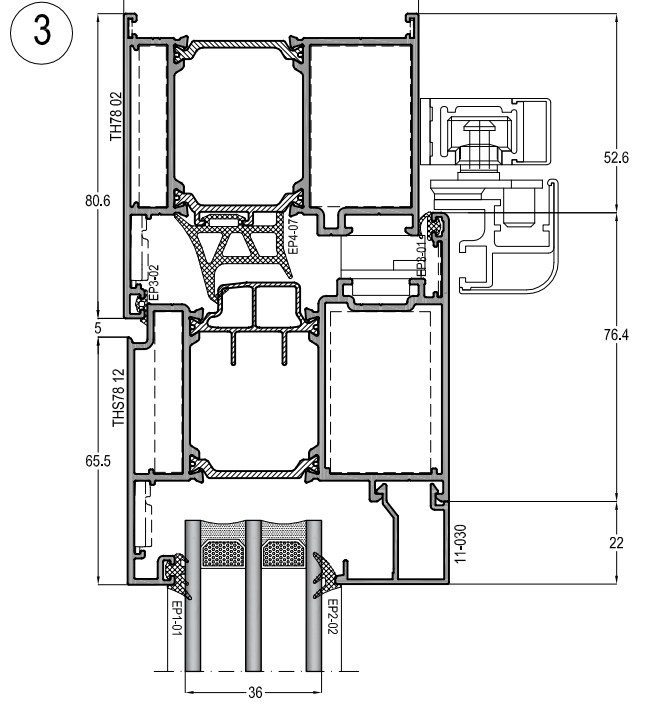
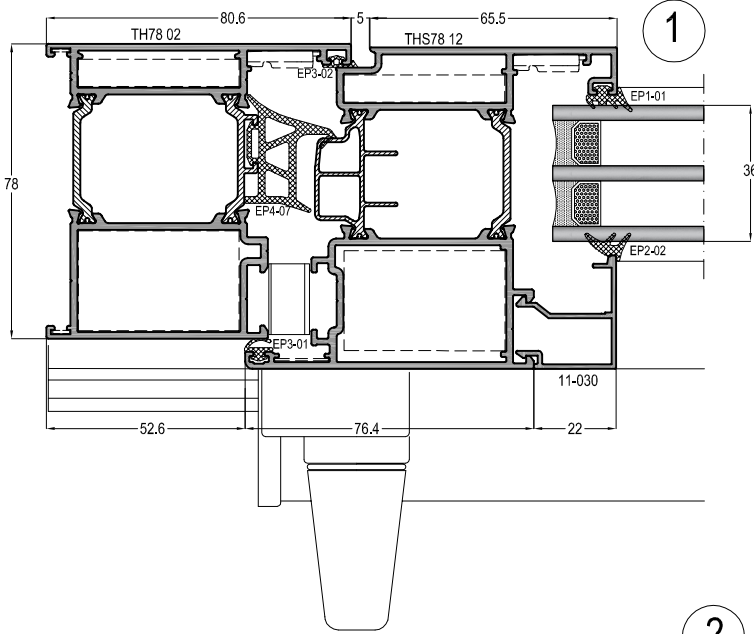
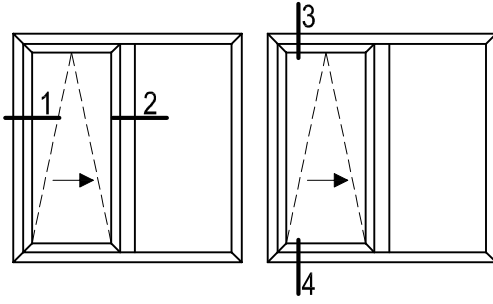
5



7



### PARALEL SÜRME DETAYLARI PARALLE SLIDING DETAILS



**TH78 - 1,8mm**

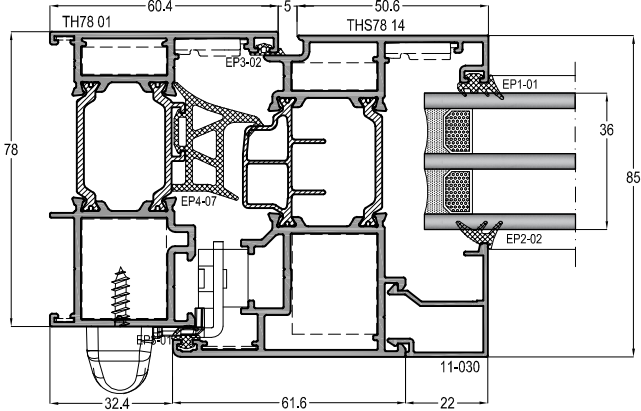
YALITIMLI KAPI-PENCERE SİSTEMİ  
THERMAL WINDOW&DOOR SYSTEM

**ASISTAL**

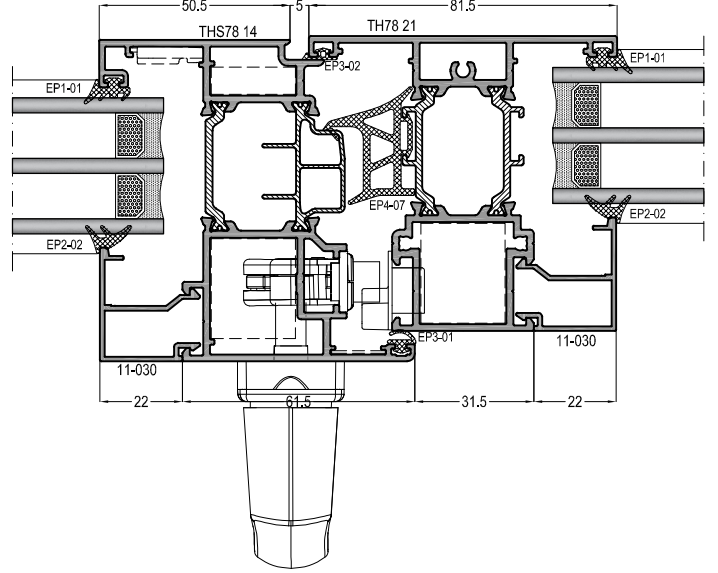
**ÇOK NOKTADAN KİLİTLEME THS SİSTEM DETAYLARI**  
*MULTI POINT LOCKING THS SYSTEM DETAILS*

### PENCERE AÇILIM DETAYLARI WINDOW OPENING DETAILS

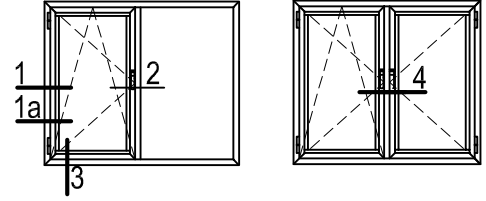
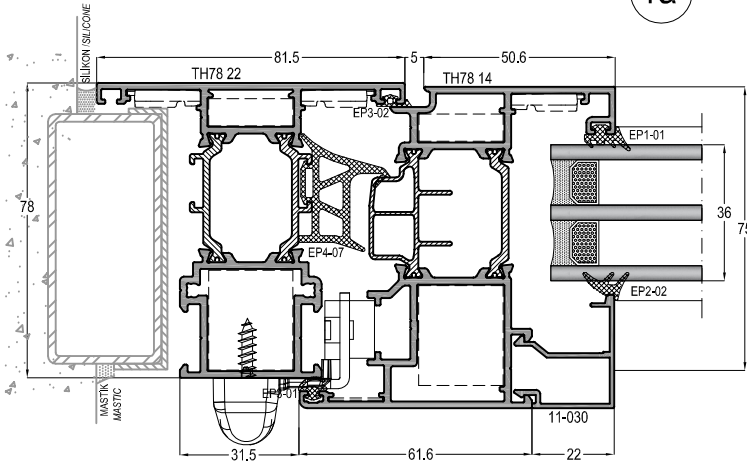
1



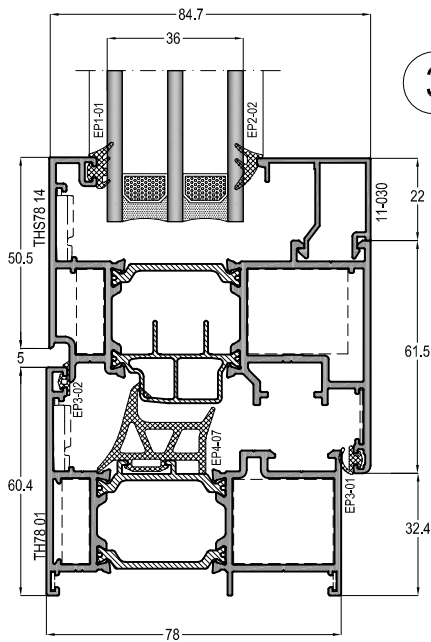
2



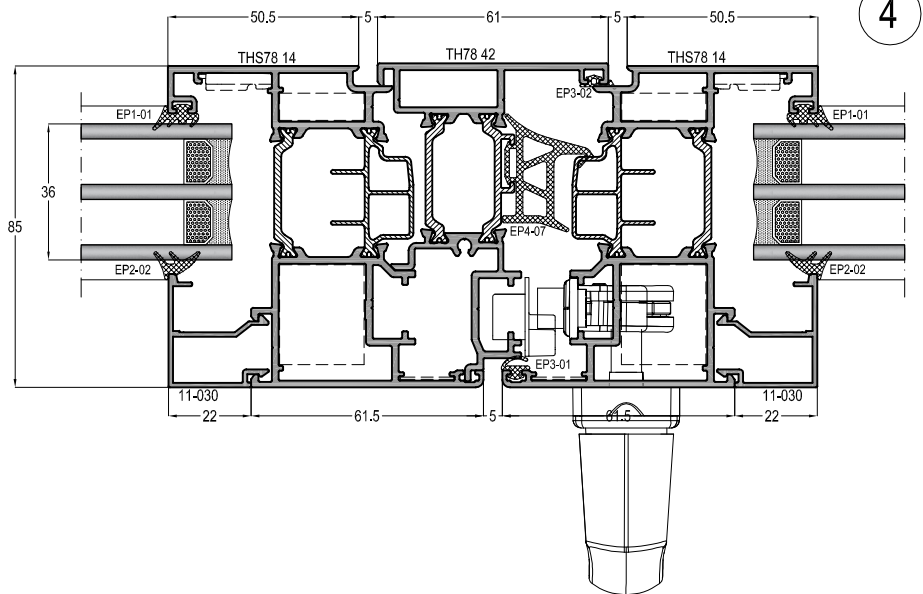
1a



3

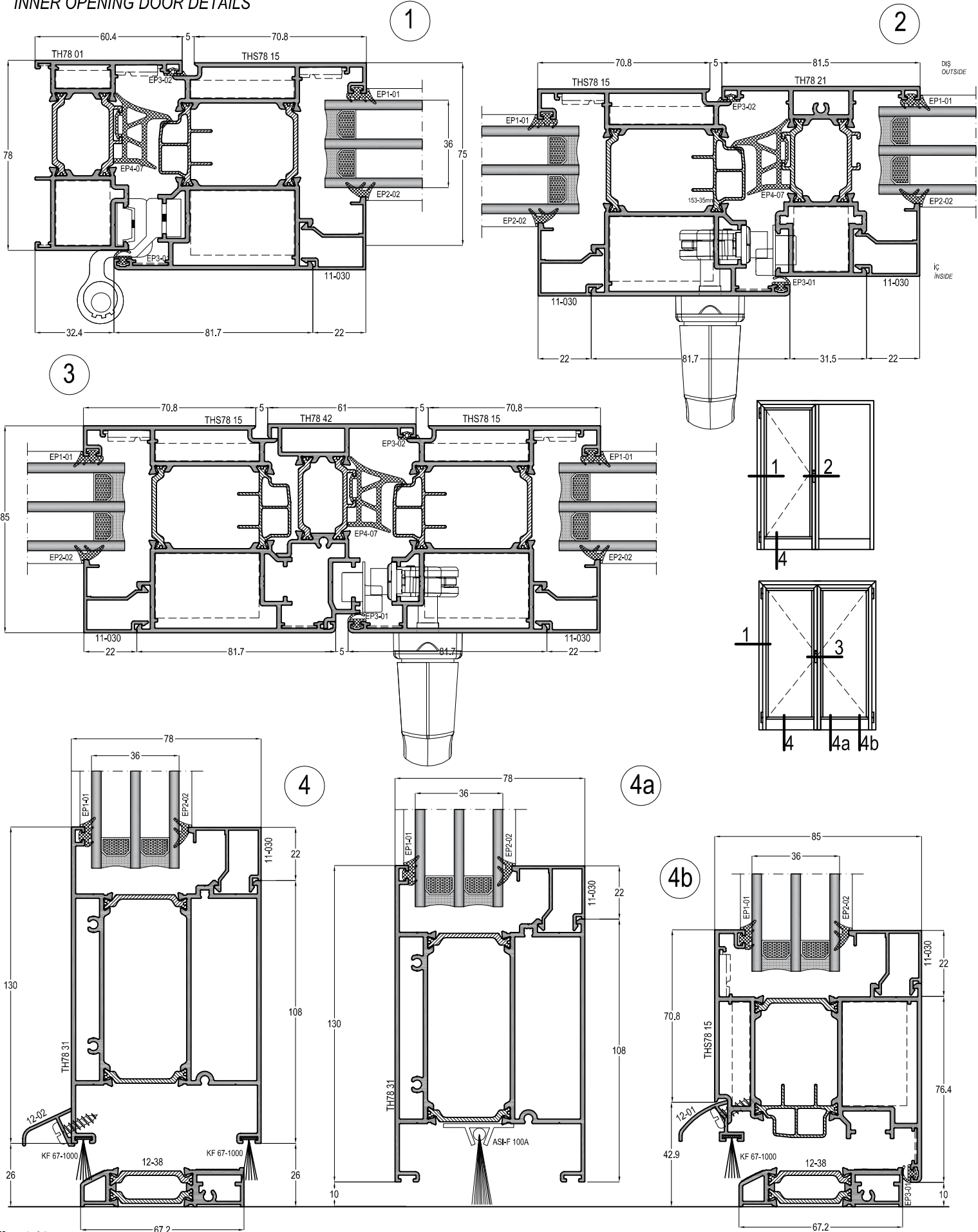


4



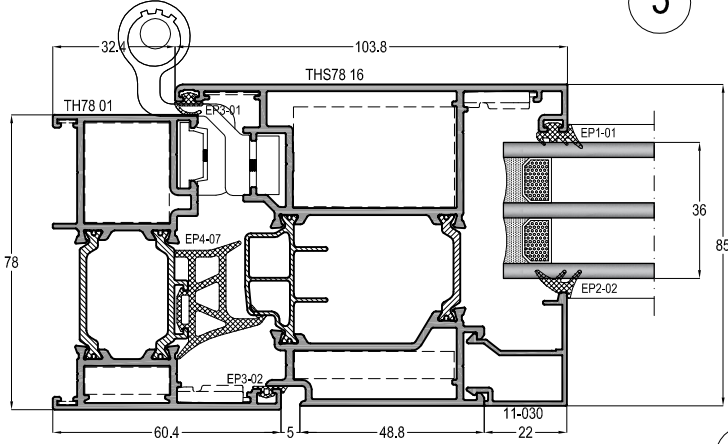


### İÇE AÇILIR KAPI DETAYLARI INNER OPENING DOOR DETAILS

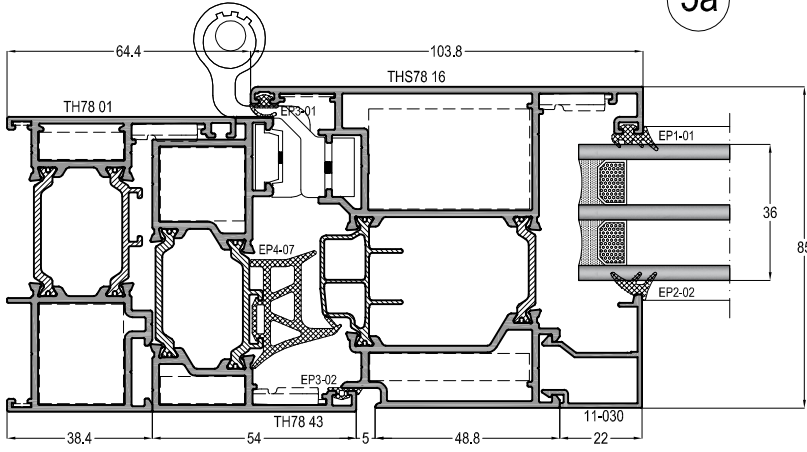


### DIŞA AÇILIR KAPI DETAYLARI OUTER OPENING DOOR DETAILS

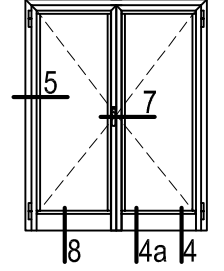
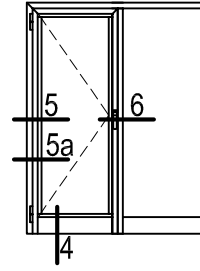
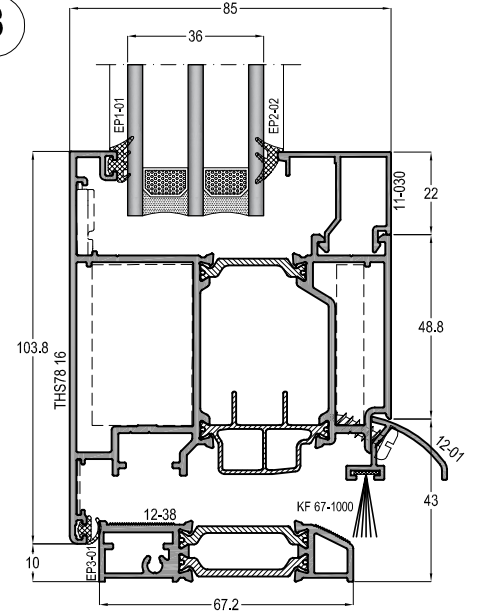
5



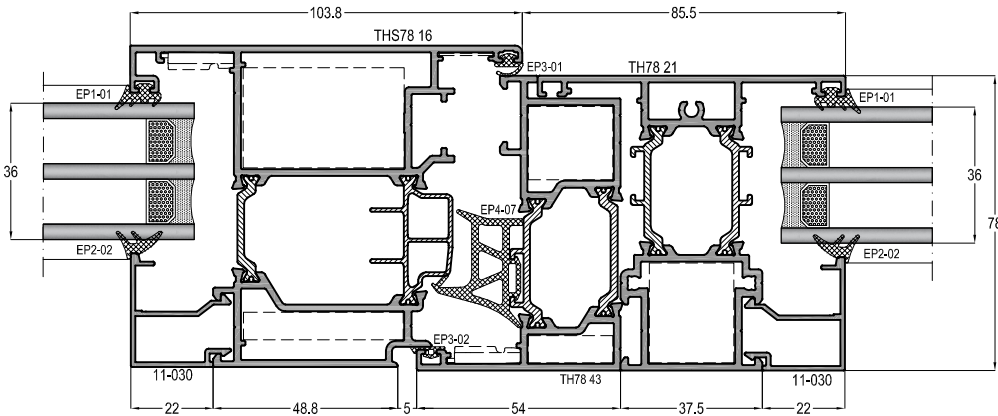
5a



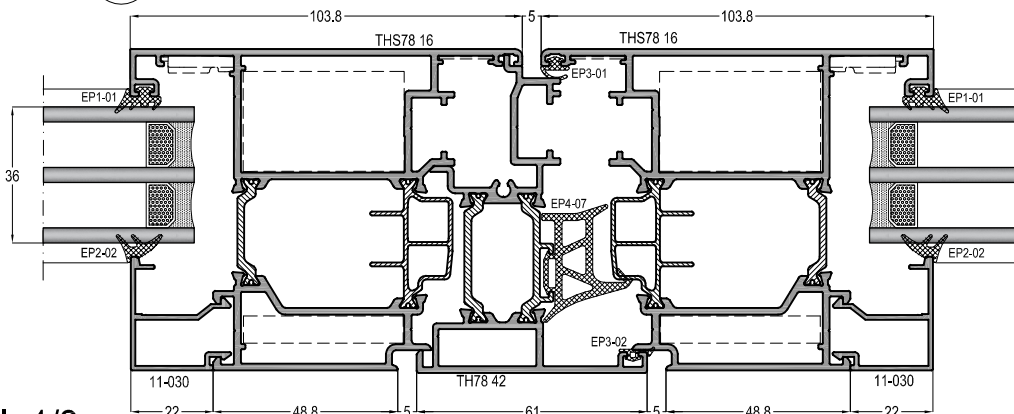
8



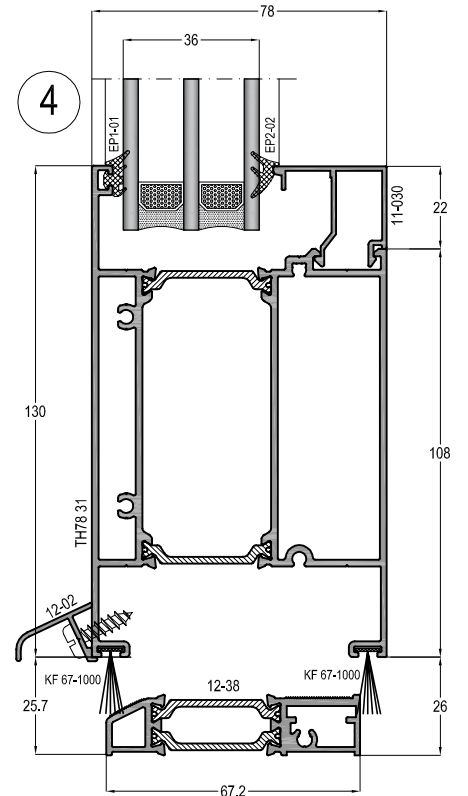
6



7



4



**TH78 - 1,8mm**

YALITIMLI KAPI-PENCERE SİSTEMİ  
THERMAL WINDOW&DOOR SYSTEM

**ASISTAL**

**KESİM ve MONTAJ**  
**CUTTING & ASSEMBLY**

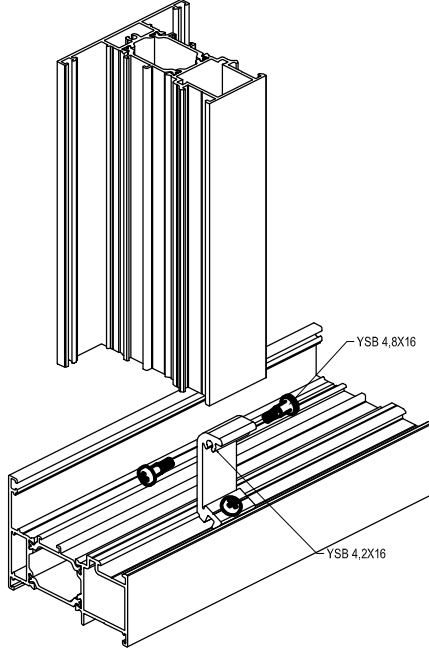
**TH68 - 1,8mm**

YALITIMLI KAPI-PENCERE SİSTEMİ  
THERMAL WINDOW&DOOR SYSTEM

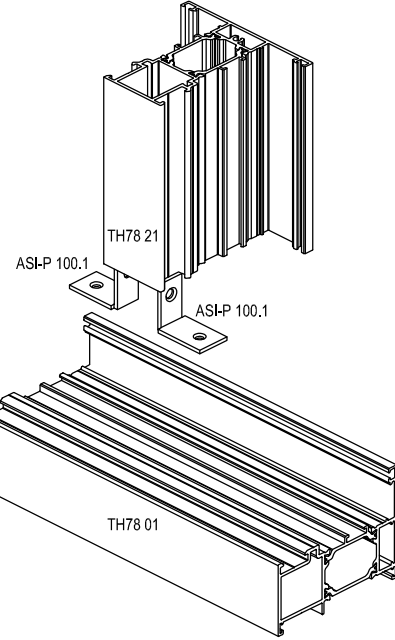
**ASISTAL**

DİK (ORTA KAYIT) BAĞLANTI DETAYLARI  
T JOINT DETAILS

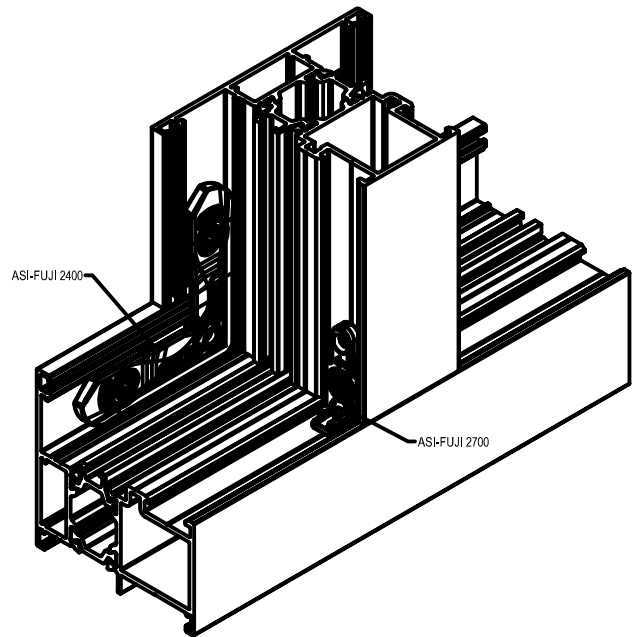
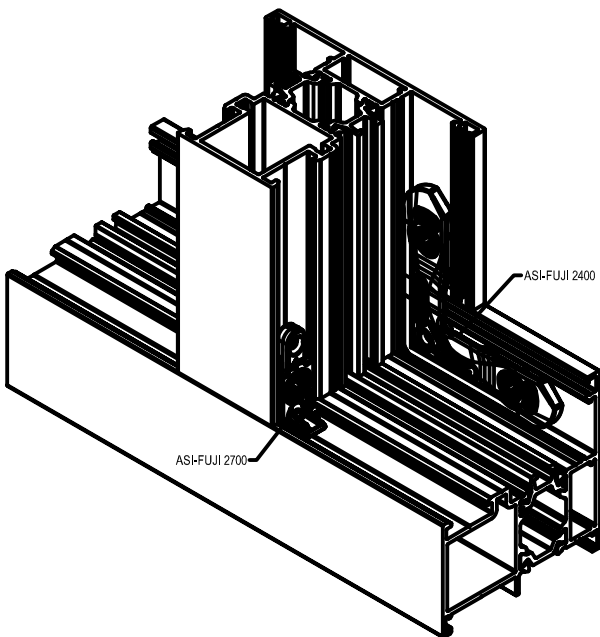
ÖNERİ : 1



ÖNERİ : 2



ÖNERİ : 3

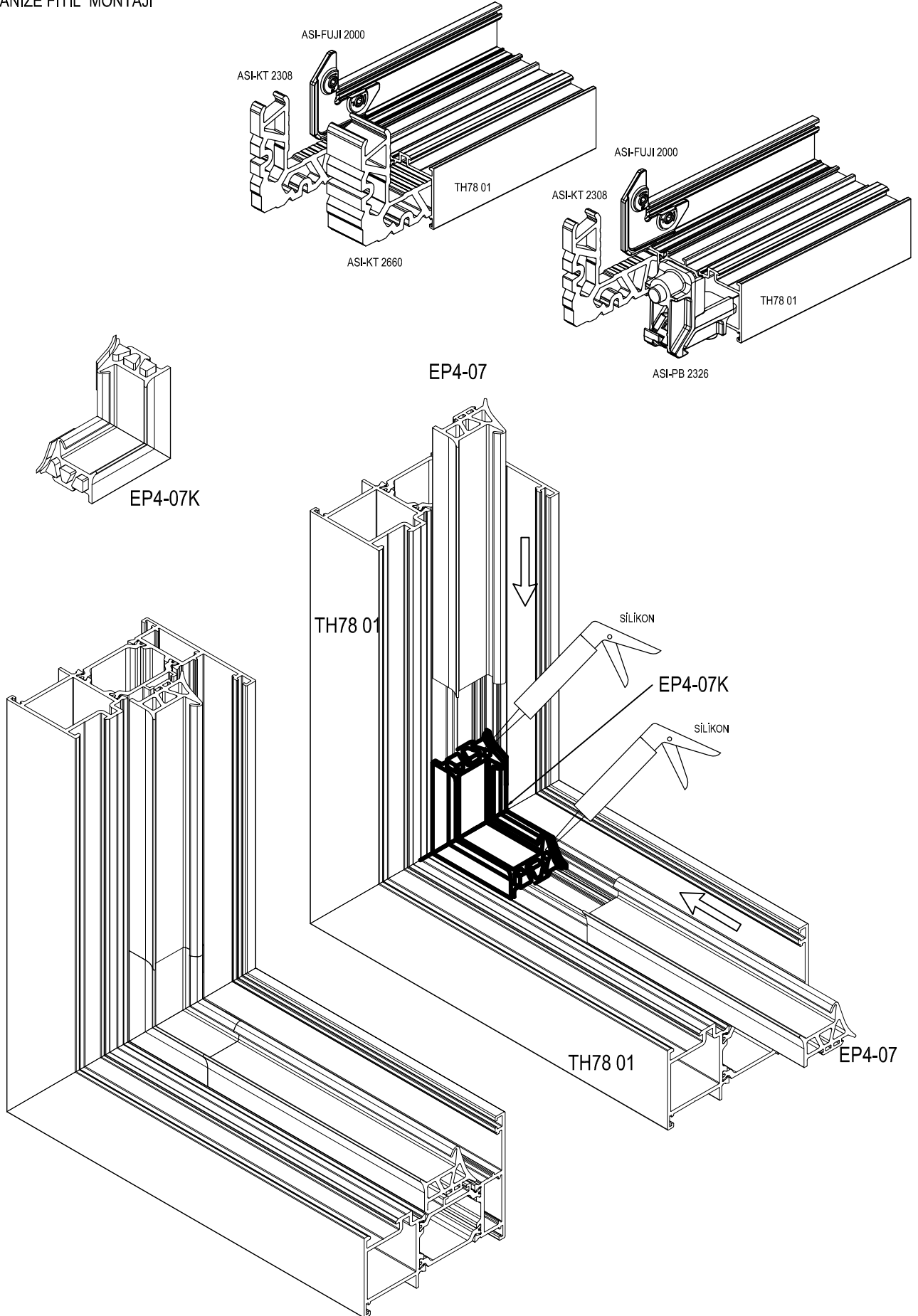


# TH62 - 1,8mm

YALITIMLI KAPI-PENCERE SİSTEMİ  
THERMAL WINDOW&DOOR SYSTEM

**ASISTAL**

## KÖŞE VULKANİZE FİTİL MONTAJI



# TH62 - 1,8mm

YALITIMLI KAPI-PENCERE SİSTEMİ  
THERMAL WINDOW&DOOR SYSTEM

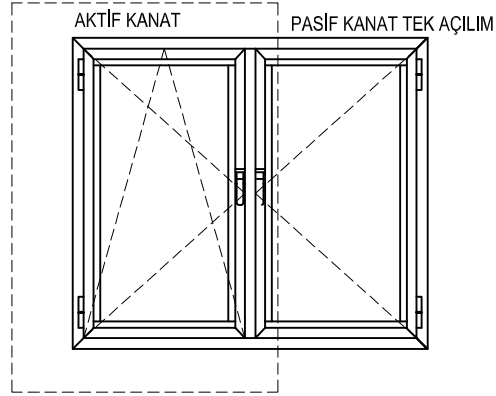
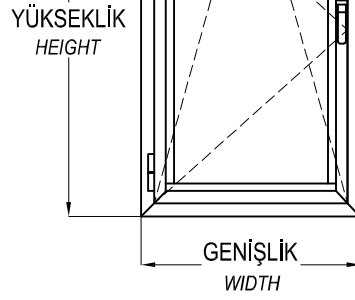
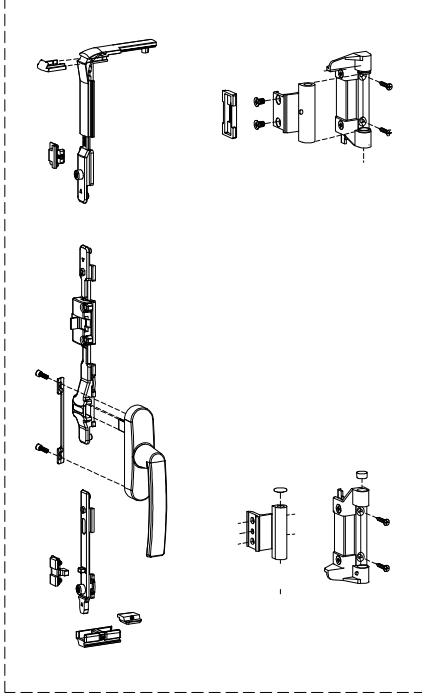









## LAVAAL ÇİFT EKSEN AÇILIM AKSESUAR KULLANIM TABLOSU

ALU - ALU TT

LAVAAL TILT&TURN OPENING ACCESSORIES TABLE

### STANDART KİT / ASI-LTT-S01



						
	ASI-LTT-S01	ASI-LTT-M01	ASI-LTT-M02	ASI-LTT-M03	ASI-LTT-M04	ASI-LTT-B01
KANAT GENİŞLİK / Sash Widht : 345-400mm	X	X				
KANAT GENİŞLİK / Sash Widht : 401-540mm	X		X			
KANAT GENİŞLİK / Sash Widht : 541-1100mm	X			X		
KANAT GENİŞLİK / Sash Widht : 1100-1500mm	X			X	X	
KANAT YÜKSEKLİK / Sash Height : < 1400mm						X

# TH62 - 1,8mm

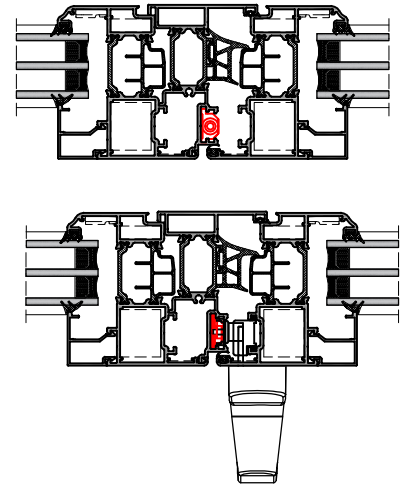
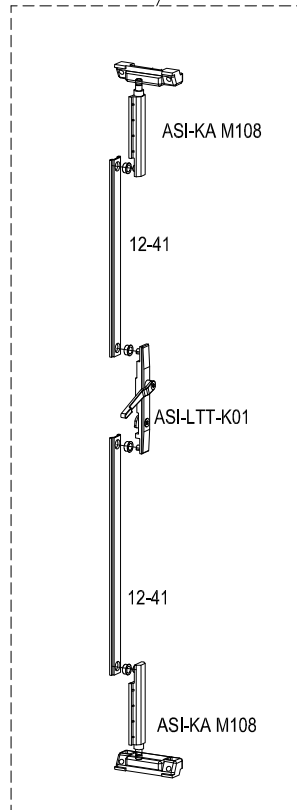
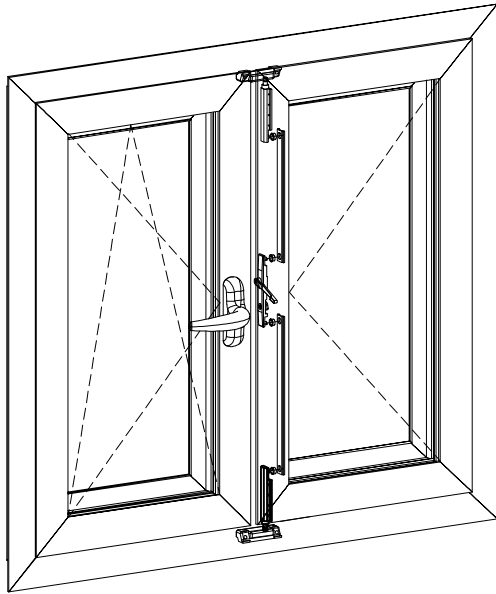
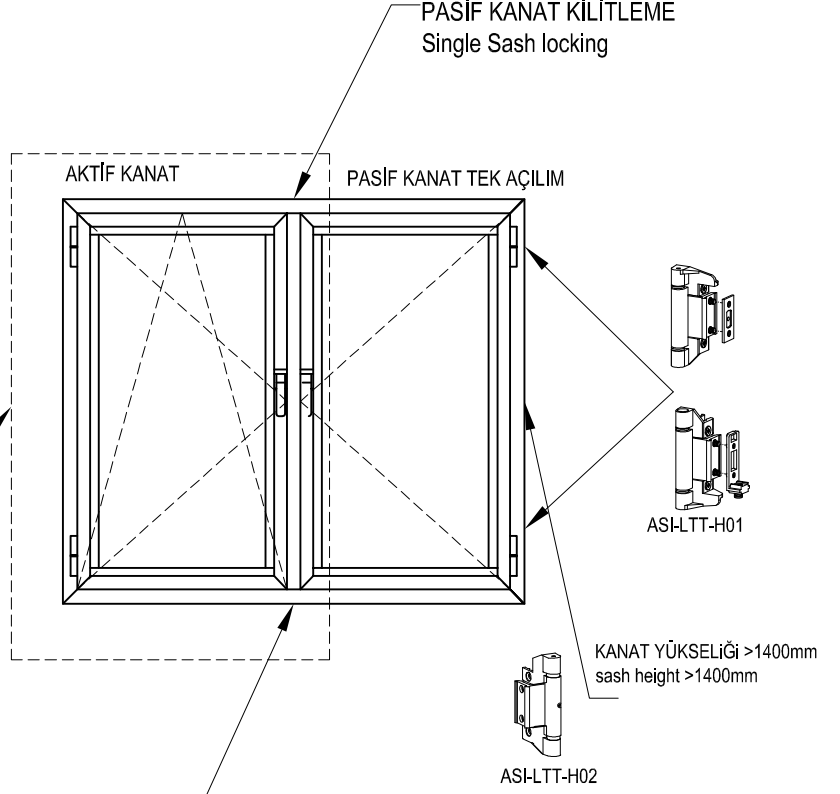
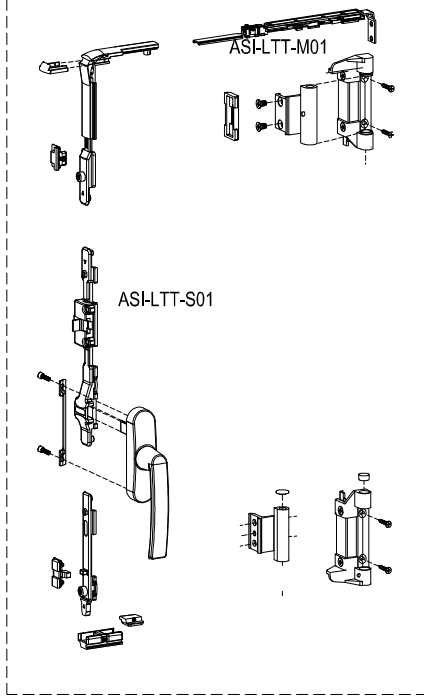
YALITIMLI KAPI-PENCERE SİSTEMİ  
THERMAL WINDOW&DOOR SYSTEM



## LAVAAL ÇİFT EKSEN AÇILIM ÇİFT KANAT AKSESUAR KULLANIM TABLOSU ALU - ALU TT

LAVAAL TILT&TURN OPENING ACCESSORIES TABLE

### STANDART KİT / ASI-LTT-S01

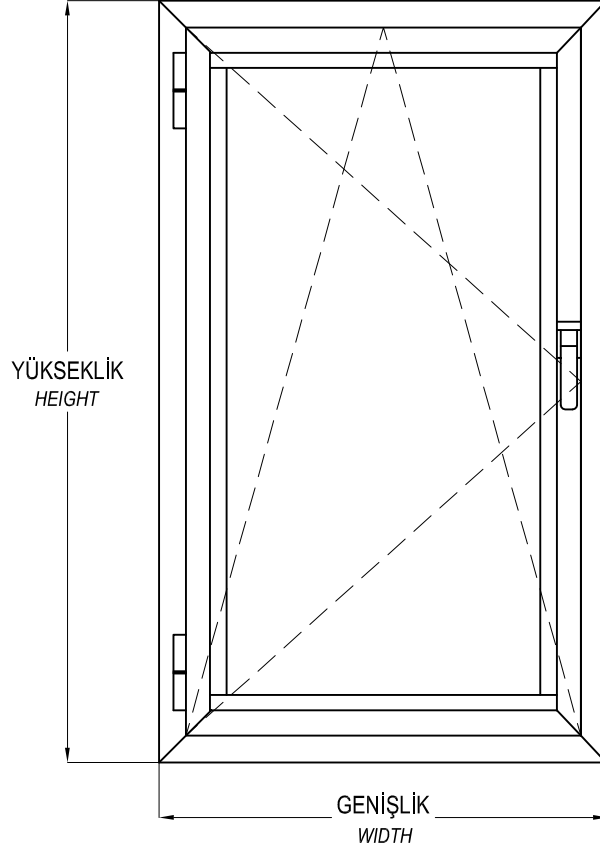


**TH78 - 1,8mm**

YALITIMLI KAPI-PENCERE SİSTEMİ  
THERMAL WINDOW&DOOR SYSTEM

**ASISTAL**

**MULTI POINT SİSTEM (PVC KANALLI) ÇİFT EKSEN AÇILIM AKSESUAR TABLOSU**  
MULTI POINT SYSTEM TILT&TURN OPENING ACCESSORIES TABLE



**MULTI POINT (PVC KANALLI) KİLİTLEME AKSESUAR SEÇİM TABLOSU**

MULTI POINT SYSTEM ACCESSORIES TABLE

YÜKSEKLİK- HEIGHT	GENİŞLİK - WIDTH			
	400-600mm	600-850mm	850-1100mm	1100-1350mm
450-700 mm	ASI-PVC TT 01	ASI-PVC TT 02	ASI-PVC TT 03	ASI-PVC TT 04
700-1200 mm	ASI-PVC TT 05	ASI-PVC TT 06	ASI-PVC TT 07	ASI-PVC TT 08
1200-1400 mm	ASI-PVC TT 09	ASI-PVC TT 10	ASI-PVC TT 11	ASI-PVC TT 12
1400-1700 mm	ASI-PVC TT 013	ASI-PVC TT 14	ASI-PVC TT 15	ASI-PVC TT 16
1700-2400 mm	ASI-PVC TT 017	ASI-PVC TT 18	ASI-PVC TT 19	ASI-PVC TT 20

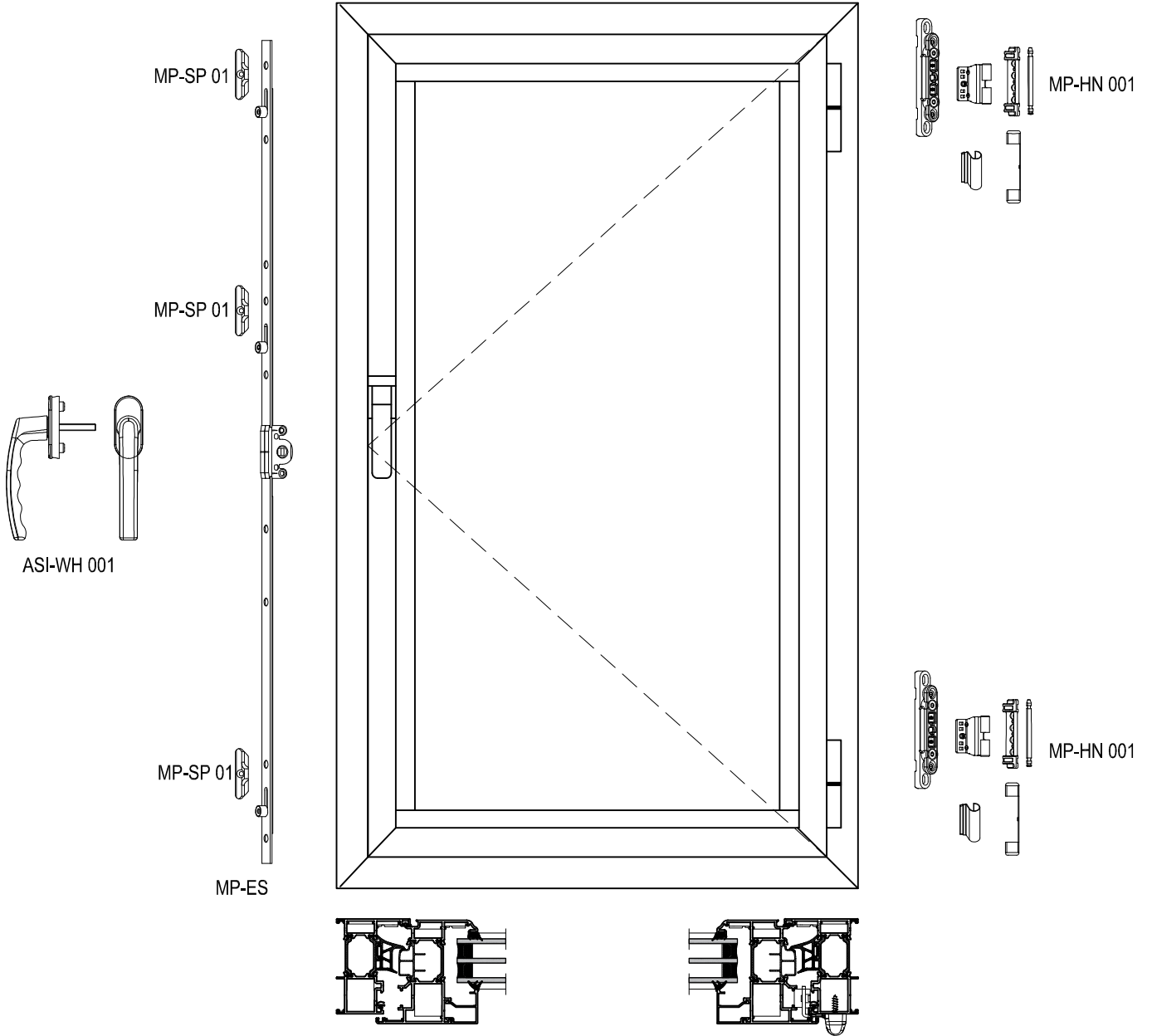


TH78 - 1,8mm

YALITIMLI KAPI-PENCERE SİSTEMİ  
THERMAL WINDOW&DOOR SYSTEM



MULTI POINT SİSTEM (PVC KANALLI) TEK EKSEN AÇILIM AKSESUARLARI  
MULTI POINT SYSTEM SINGLE OPENING WINDOW ACCESSORIES



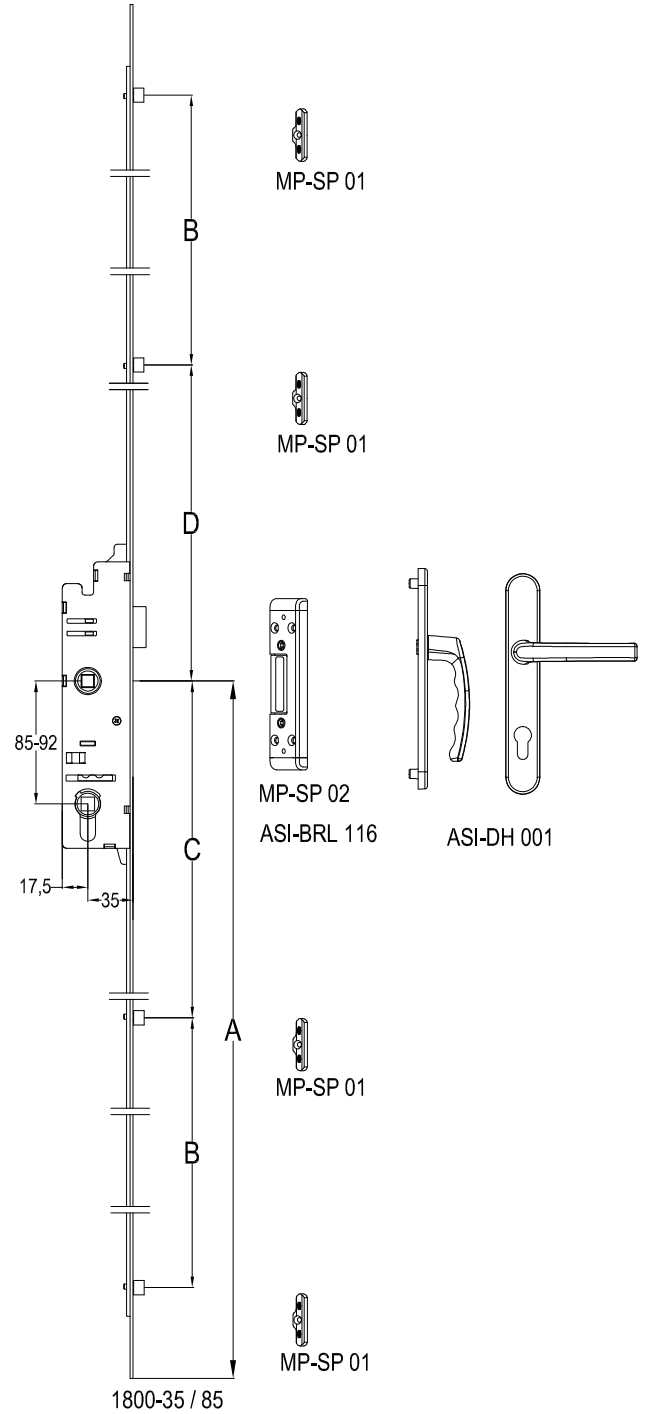
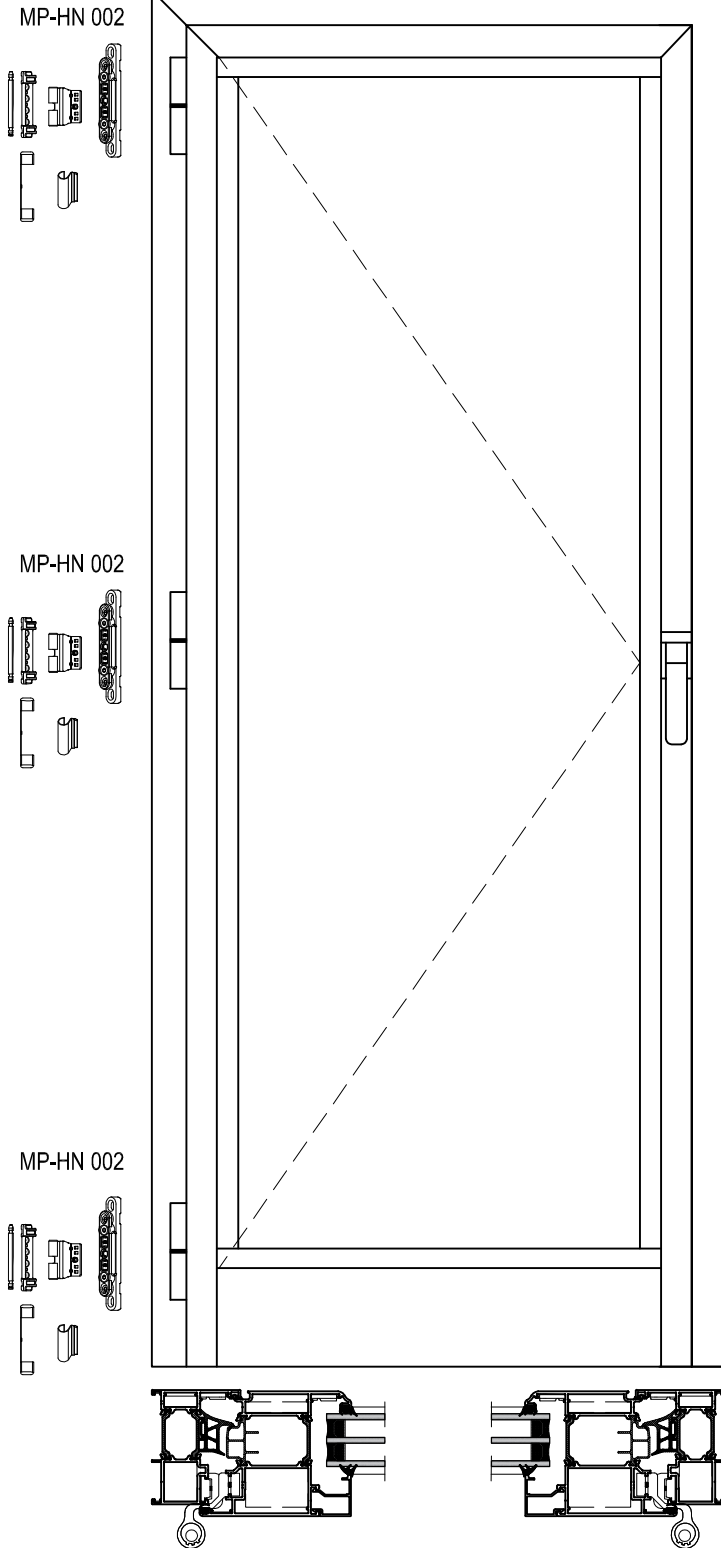
**TH78 - 1,8mm**

YALITIMLI KAPI-PENCERE SİSTEMİ  
THERMAL WINDOW&DOOR SYSTEM



**MULTI POINT SİSTEM (PVC KANALLI) TEK KANAT AÇILIM KAPI AKSESUARLARI**

MULTI POINT SYSTEM INNER / OUTER OPENING DOOR ACCESSORIES

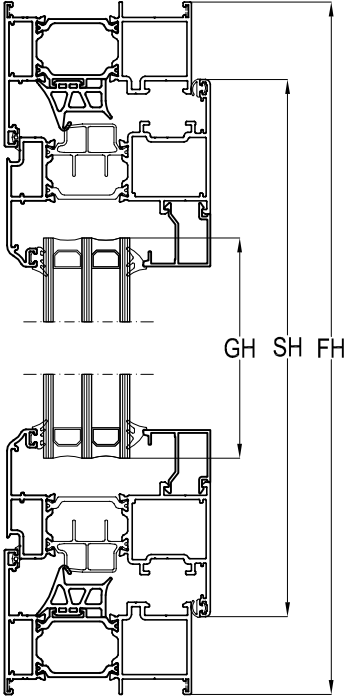
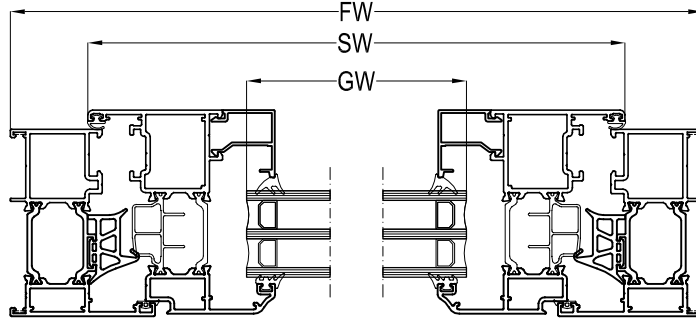
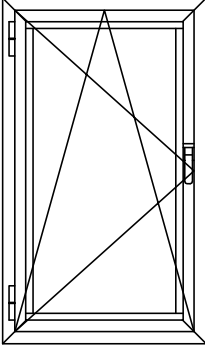


# TH78 - 1,8mm

YALITIMLI KAPI-PENCERE SİSTEMİ  
THERMAL WINDOW&DOOR SYSTEM

## ASISTAL

### TEK KANAT AÇILIM KESİM ÖLÇÜLERİ SINGLE SASH CUTTING SIZES



KASA PROFİLİ FRAME PROFILE	KANAT PROFİLİ SASH PROFILE	KESİM ÖLÇÜLERİ CUTTING SIZES
TH78 01 TH78 01 TH78 01	TH78 11 THS78 11 TH78 18	SW = FW - 64,8mm GW = SW - 122,4mm SH = FH - 64,8mm GH = SH - 122,4mm
TH78 01 TH78 01	TH78 12 THS78 12	SW = FW - 64,8mm GW = SW - 162,8mm SH = FH - 64,8mm GH = SH - 162,8mm
TH78 02 TH78 02 TH78 02	TH78 11 THS78 11 TH78 18	SW = FW - 105,2mm GW = SW - 122,4mm SH = FH - 105,2mm GH = SH - 122,4mm
TH78 02 TH78 02	TH78 12 THS78 12	SW = FW - 105,2mm GW = SW - 162,8mm SH = FH - 105,2mm GH = SH - 162,8mm

FW= KASA GENİŞLİĞİ / FRAME WIDTH  
SW= KANAT GENİŞLİĞİ / SASH WIDTH  
GW= CAM GENİŞLİĞİ / GLASS WIDTH

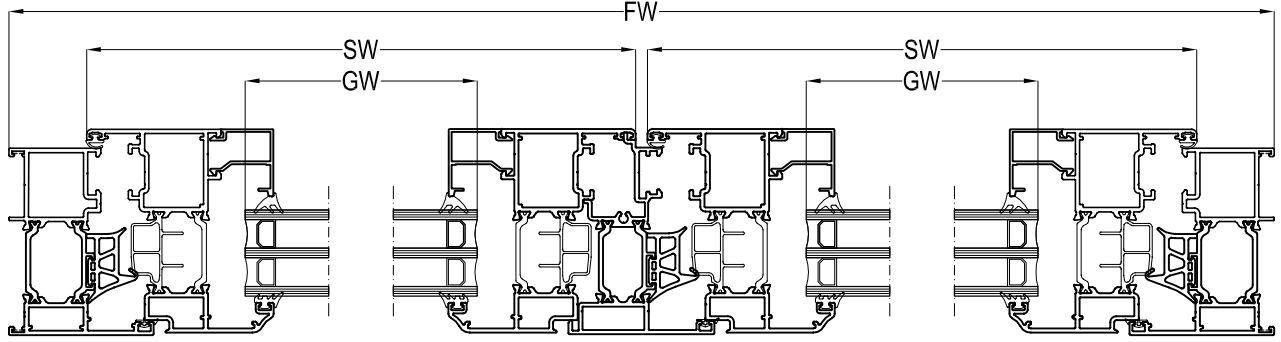
FH= KASA YÜKSEKLİĞİ / FRAME HEIGHT  
SH= KANAT YÜKSEKLİĞİ / SASH HEIGHT  
GH= CAM YÜKSEKLİĞİ / GLASS HEIGHT

# TH78 - 1,8mm

YALITIMLI KAPI-PENCERE SİSTEMİ  
THERMAL WINDOW&DOOR SYSTEM

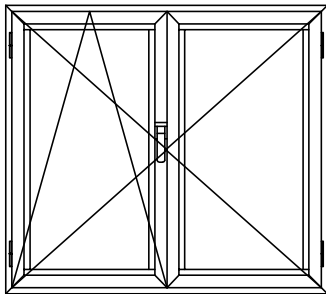
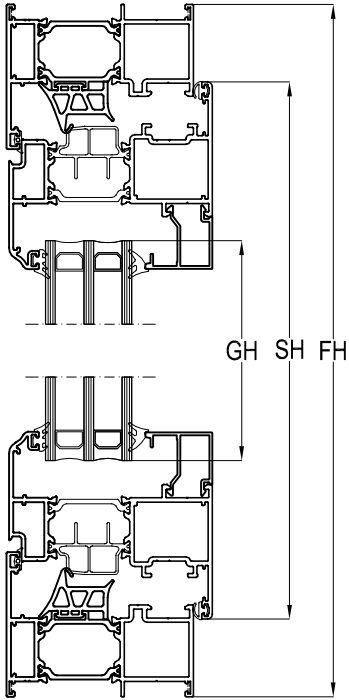
## ASISTAL

### ÇİFT KANAT AÇILIM KESİM ÖLÇÜLERİ DOUBLE SASH CUTTING SIZES



#### ADAPTÖR PROFİLİ

TH78 41 = SH - 72,6mm



KASA PROFİLİ FRAME PROFILE	KANAT PROFİLİ SASH PROFILE	KESİM ÖLÇÜLERİ CUTTING SIZES
TH78 01 TH78 01 TH78 01	TH78 11 THS78 11 TH78 18	SW = FW / 2 - 34,9mm GW = SW - 122,4mm SH = FH - 64,8mm GH = SH - 122,4mm
TH78 01 TH78 01	TH78 12 THS78 12	SW = FW / 2 - 34,9mm GW = SW - 162,8mm SH = FH - 64,8mm GH = SH - 162,8mm
TH78 02 TH78 02 TH78 02	TH78 11 THS78 11 TH78 18	SW = FW / 2 - 55,1mm GW = SW - 122,4mm SH = FH - 105,2mm GH = SH - 122,4mm
TH78 02 TH78 02	TH78 12 THS78 12	SW = FW / 2 - 55,1mm GW = SW - 162,8mm SH = FH - 105,2mm GH = SH - 162,8mm

FW= KASA GENİŞLİĞİ / FRAME WIDTH  
SW= KANAT GENİŞLİĞİ / SASH WIDTH  
GW= CAM GENİŞLİĞİ / GLASS WIDTH

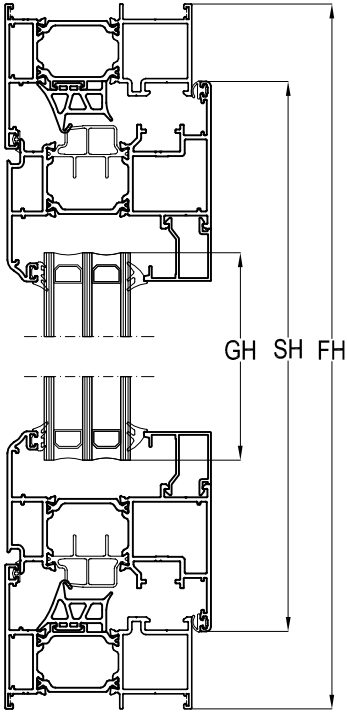
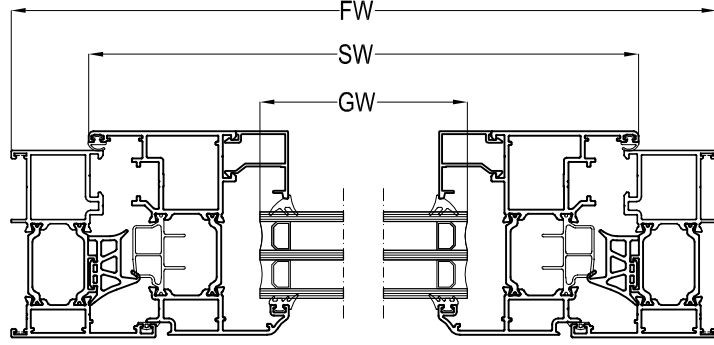
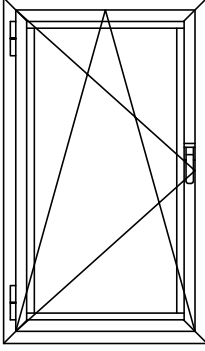
FH= KASA YÜKSEKLİĞİ / FRAME HEIGHT  
SH= KANAT YÜKSEKLİĞİ / SASH HEIGHT  
GH= CAM YÜKSEKLİĞİ / GLASS HEIGHT

# TH78 - 1,8mm

YALITIMLI KAPI-PENCERE SİSTEMİ  
THERMAL WINDOW&DOOR SYSTEM



## MULTI POINT (PVC KANALLI) TEK KANAT AÇILIM KESİM ÖLÇÜLERİ MULTI POINT SINGLE SASH CUTTING SIZES



KASA PROFİLİ FRAME PROFILE	KANAT PROFİLİ SASH PROFILE	KESİM ÖLÇÜLERİ CUTTING SIZES
TH78 01 TH78 01	TH78 14 THS78 14	SW = FW - 64,8mm GW = SW - 133mm  SH = FH - 64,8mm GH = SH - 133mm
TH78 01 TH78 01	TH78 15 THS78 15	SW = FW - 64,8mm GW = SW - 173,4mm  SH = FH - 64,8mm GH = SH - 173,4mm
TH78 02 TH78 02	TH78 14 THS78 14	SW = FW - 105,2mm GW = SW - 133mm  SH = FH - 105,2mm GH = SH - 133mm
TH78 02 TH78 02	TH78 15 THS78 15	SW = FW - 105,2mm GW = SW - 173,4mm  SH = FH - 105,2mm GH = SH - 173,4mm

FW= KASA GENİŞLİĞİ / FRAME WIDTH  
SW= KANAT GENİŞLİĞİ / SASH WIDTH  
GW= CAM GENİŞLİĞİ / GLASS WIDTH

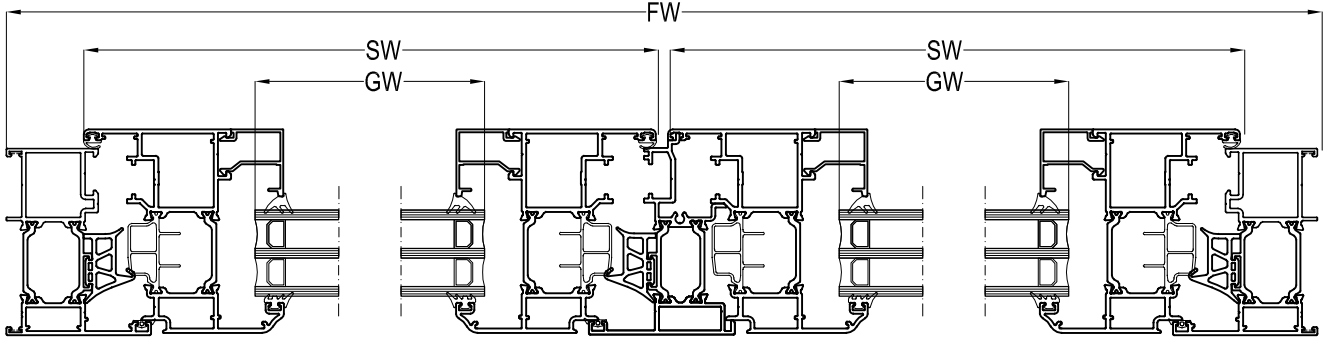
FH= KASA YÜKSEKLİĞİ / FRAME HEIGHT  
SH= KANAT YÜKSEKLİĞİ / SASH HEIGHT  
GH= CAM YÜKSEKLİĞİ / GLASS HEIGHT

# TH78 - 1,8mm

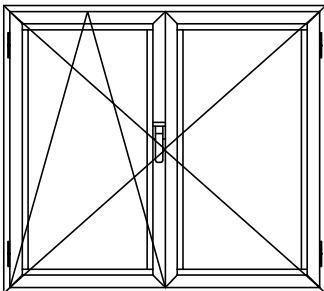
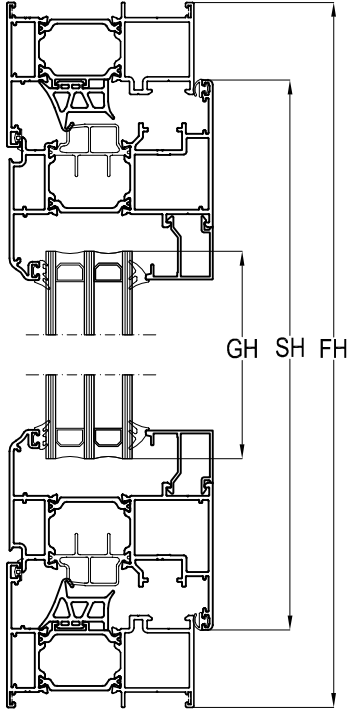
YALITIMLI KAPI-PENCERE SİSTEMİ  
THERMAL WINDOW&DOOR SYSTEM



## MULTI POINT (PVC KANALLI) ÇİFT KANAT AÇILIM KESİM ÖLÇÜLERİ MULTI POINT DOUBLE SASH CUTTING SIZES



ADAPTÖR PROFİLİ  
TH78 42 = SH - 72,6mm



KASA PROFİLİ FRAME PROFILE	KANAT PROFİLİ SASH PROFILE	KESİM ÖLÇÜLERİ CUTTING SIZES
TH78 01 TH78 01	TH78 14 THS78 14	SW = FW / 2 - 34,9mm GW = SW - 133mm  SH = FH - 64,8mm GH = SH - 133mm
TH78 01 TH78 01	TH78 15 THS78 15	SW = FW / 2 - 34,9mm GW = SW - 173,4mm  SH = FH - 64,8mm GH = SH - 173,4mm
TH78 02 TH78 02	TH78 14 THS78 14	SW = FW / 2 - 55,1mm GW = SW - 133mm  SH = FH - 105,2mm GH = SH - 133mm
TH78 02 TH78 02	TH78 15 THS78 15	SW = FW / 2 - 55,1mm GW = SW - 173,4mm  SH = FH - 105,2mm GH = SH - 173,4mm

FW= KASA GENİŞLİĞİ / FRAME WIDTH  
SW= KANAT GENİŞLİĞİ / SASH WIDTH  
GW= CAM GENİŞLİĞİ / GLASS WIDTH

FH= KASA YÜKSEKLİĞİ / FRAME HEIGHT  
SH= KANAT YÜKSEKLİĞİ / SASH HEIGHT  
GH= CAM YÜKSEKLİĞİ / GLASS HEIGHT