

**TH62 - 1,8mm**

YALITIMLI KAPI-PENCERE SİSTEMİ  
THERMAL WINDOW&DOOR SYSTEM

**ASISTAL**

**PROFİL VE AKSESUAR LİSTELERİ**  
*PROFILE & ACCESSORIES LISTS*

# TH62 - 1,8mm

YALITIMLI KAPI-PENCERE SİSTEMİ  
THERMAL WINDOW&DOOR SYSTEM



## PROFİL LİSTESİ - PROFILES LIST

TH62 01	Jx cm <sup>4</sup>	Jy cm <sup>4</sup>		TH62 18	Jx cm <sup>4</sup>	Jy cm <sup>4</sup>	
	24,89	11,95			36,84	16,23	
KASA PROFİLİ-60 mm FRAME PROFILE	AĞIRLIK / Weight			KANAT PROFİLİ SASH PROFILE	AĞIRLIK / Weight		
	1,523 kg/mt				1,720 kg/mt		
TH62 02	Jx cm <sup>4</sup>	Jy cm <sup>4</sup>		TH62 12	Jx cm <sup>4</sup>	Jy cm <sup>4</sup>	
	31,92	28,04			46,27	44,77	
KASA PROFİLİ-80 mm FRAME PROFILE	AĞIRLIK / Weight			İÇE AÇILIR KAPI KANAT PROFİLİ INNER OPENING DOOR SASH PROFILE	AĞIRLIK / Weight		
	1,895 kg/mt				2,132 kg/mt		
TH62 03	Jx cm <sup>4</sup>	Jy cm <sup>4</sup>		TH62 13	Jx cm <sup>4</sup>	Jy cm <sup>4</sup>	
	35,24	26,33			45,58	44,84	
PERVAZLI KASA PROFİLİ FRAME PROFILE	AĞIRLIK / Weight			DİŞA AÇILIR KAPI KANAT PROFİLİ OUTWARD OPENING DOOR SASH PROFILE	AĞIRLIK / Weight		
	1,705 kg/mt				2,162 kg/mt		
TH62 04	Jx cm <sup>4</sup>	Jy cm <sup>4</sup>		TH62 14	Jx cm <sup>4</sup>	Jy cm <sup>4</sup>	
	30,36	17,66			48,72	53,13	
PERVAZLI KASA PROFİLİ FRAME PROFILE	AĞIRLIK / Weight			İÇE AÇILIR KAPI KANAT PROFİLİ-MULTI POINT INNER OPENING DOOR SASH PROFILE-MULTI POINT	AĞIRLIK / Weight		
	1,659 kg/mt				2,250 kg/mt		
TH62 21	Jx cm <sup>4</sup>	Jy cm <sup>4</sup>		TH62 15	Jx cm <sup>4</sup>	Jy cm <sup>4</sup>	
	28,23	18,31			48,15	53,50	
ORTA KAYIT PROFİLİ 81 mm (vidalı) TRANSOM-MULLION PROFILE	AĞIRLIK / Weight			DİŞA AÇILIR KAPI KANAT PROFİLİ-MULTI POINT OUTWARD OPENING DOOR SASH PROFILE-MULTI POINT	AĞIRLIK / Weight		
	1,767 kg/mt				2,283 kg/mt		
TH62 22	Jx cm <sup>4</sup>	Jy cm <sup>4</sup>		TH62 16	Jx cm <sup>4</sup>	Jy cm <sup>4</sup>	
	28,01	18,34			128,53	52,28	
ORTA KAYIT PROFİLİ 81 mm TRANSOM-MULLION PROFILE	AĞIRLIK / Weight			ETEK PROFİLİ-130 mm BOTTOM PLATE PROFILE	AĞIRLIK / Weight		
	1,730 kg/mt				2,834 kg/mt		
TH62 23	Jx cm <sup>4</sup>	Jy cm <sup>4</sup>		12-32	AĞIRLIK / Weight		
	36,32	45,61			0,793 kg/mt		
ORTA KAYIT PROFİLİ 102 mm TRANSOM-MULLION PROFILE	AĞIRLIK / Weight			EŞİK PROFİLİ BOTTOM RAIL PROFILE	AĞIRLIK / Weight		
	2,181 kg/mt				1,356 kg/mt		
TH62 24	Jx cm <sup>4</sup>	Jy cm <sup>4</sup>		TH62 51	Jx cm <sup>4</sup>	Jy cm <sup>4</sup>	
	169,87	29,60			20,71	20,71	
TAKVİYELİ ORTA KAYIT PROFİLİ SUPPORTED MULLION PROFILE	AĞIRLIK / Weight			90° KÖŞE PROFİLİ CORNER PROFILE	AĞIRLIK / Weight		
	2,789 kg/mt				1,679 kg/mt		
TH62 25	Jx cm <sup>4</sup>	Jy cm <sup>4</sup>		TH62 52	Jx cm <sup>4</sup>	Jy cm <sup>4</sup>	
	92,92	29,16			28,53	23,54	
TAKVİYELİ ORTA KAYIT PROFİLİ SUPPORTED MULLION PROFILE	AĞIRLIK / Weight			EKSENEL DÖNÜŞ PROFİLİ CORNER PROFILE	AĞIRLIK / Weight		
	2,560 kg/mt				1,679 kg/mt		
TH62 11	Jx cm <sup>4</sup>	Jy cm <sup>4</sup>		TH62 52	Jx cm <sup>4</sup>	Jy cm <sup>4</sup>	
	36,91	18,09			28,53	23,54	
KANAT PROFİLİ SASH PROFILE	AĞIRLIK / Weight			EKSENEL DÖNÜŞ PROFİLİ CORNER PROFILE	AĞIRLIK / Weight		
	1,737 kg/mt				1,679 kg/mt		

✪ Sipariş öncesi kalıp bilgisi kontrol edilmeli / must be check profile mold before the order

Profil ağırlıklarımız teorik olup; teslim anındaki tartımız geçerlidir.

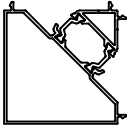
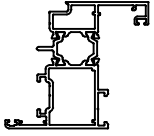
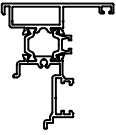
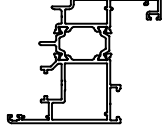
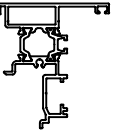
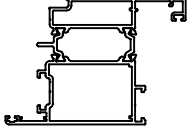
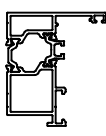
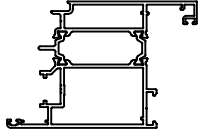
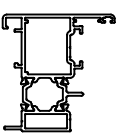
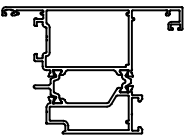
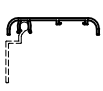
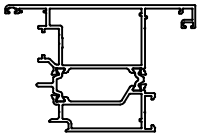

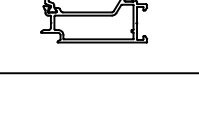
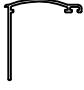
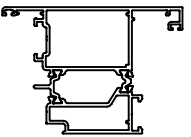
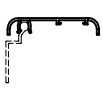
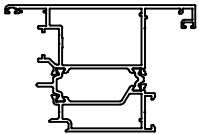
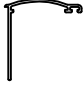
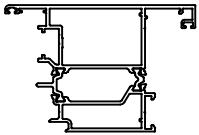
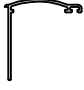
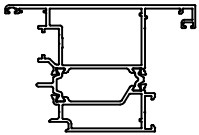
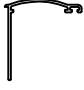
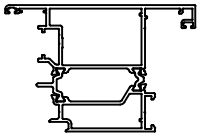
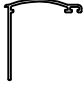
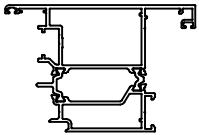
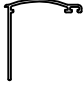
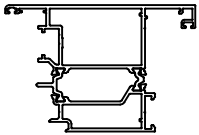
# TH62 - 1,8mm

YALITIMLI KAPI-PENCERE SİSTEMİ  
THERMAL WINDOW&DOOR SYSTEM

## ASISTAL

### PROFİL LİSTESİ - PROFILES LIST

### PROFİL LİSTESİ "S" SERİSİ - PROFILES LIST "S" SERIES

TH62 53	Jx cm <sup>4</sup>	Jy cm <sup>4</sup>		THS62 11	Jx cm <sup>4</sup>	Jy cm <sup>4</sup>	
	23,98	26,18			37,72	19,17	
90° KÖŞE PROFİLİ CORNER PROFILE	AĞIRLIK / Weight			KANAT PROFİLİ-DÜZ SASH PROFILE-FLAT	AĞIRLIK / Weight		
	1,456 kg/mt				1,756 kg/mt		
TH62 41	AĞIRLIK / Weight			THS62 12	Jx cm <sup>4</sup>	Jy cm <sup>4</sup>	
	1,314 kg/mt				40,20	23,93	
ÇİFT KANAT ADAPTÖR PROFİLİ DOUBLE SASH ADAPTER PROFILE	AĞIRLIK / Weight			İÇE AÇILIR KAPI KANAT PROFİLİ-DÜZ INNER OPENING DOOR SASH PROFILE-FLAT	AĞIRLIK / Weight		
	1,335 kg/mt				2,149 kg/mt		
TH62 42	AĞIRLIK / Weight			THS62 13	Jx cm <sup>4</sup>	Jy cm <sup>4</sup>	
	1,397 kg/mt				49,51	55,01	
TH62 43	AĞIRLIK / Weight			İÇE AÇILIR KAPI KANAT PROFİLİ-MULTI POINT INNER OPENING DOOR SASH PROFILE-MULTI POINT	AĞIRLIK / Weight		
	1,397 kg/mt				2,268 kg/mt		
TH62 46	AĞIRLIK / Weight			THS62 15	Jx cm <sup>4</sup>	Jy cm <sup>4</sup>	
	1,557 kg/mt				46,35	46,54	
TH62 46	AĞIRLIK / Weight			DİŞA AÇILIR KAPI KANAT PROFİLİ - DÜZ OUTWARD OPENING DOOR SASH PROFILE	AĞIRLIK / Weight		
	1,557 kg/mt				2,180 kg/mt		
12-52	AĞIRLIK / Weight			THS62 16	Jx cm <sup>4</sup>	Jy cm <sup>4</sup>	
	0,279 kg/mt				48,92	55,38	
12-53	AĞIRLIK / Weight			DİŞA AÇILIR KAPI KANAT PROFİLİ-MULTI POINT OUTWARD OPENING DOOR SASH PROFILE-MULTI POINT	AĞIRLIK / Weight		
	0,177 kg/mt				2,301 kg/mt		
12-54	AĞIRLIK / Weight			THS62 16	Jx cm <sup>4</sup>	Jy cm <sup>4</sup>	
	0,326 kg/mt				48,92	55,38	
12-41	AĞIRLIK / Weight			DİŞA AÇILIR KAPI KANAT PROFİLİ-MULTI POINT OUTWARD OPENING DOOR SASH PROFILE-MULTI POINT	AĞIRLIK / Weight		
	0,118 kg/mt				2,301 kg/mt		
04-025025-12	AĞIRLIK / Weight			DİŞA AÇILIR KAPI KANAT PROFİLİ-MULTI POINT OUTWARD OPENING DOOR SASH PROFILE-MULTI POINT	AĞIRLIK / Weight		
	0,158 kg/mt				2,301 kg/mt		
KASA T 'Sİ - 30 mm FRAME BORDER	AĞIRLIK / Weight			DİŞA AÇILIR KAPI KANAT PROFİLİ-MULTI POINT OUTWARD OPENING DOOR SASH PROFILE-MULTI POINT	AĞIRLIK / Weight		
	0,158 kg/mt				2,301 kg/mt		

⊗ Sipariş öncesi kalıp bilgisi kontrol edilmeli

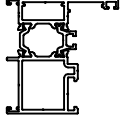
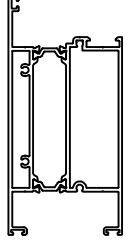
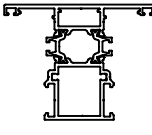
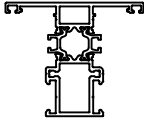
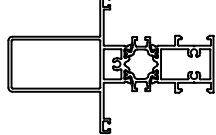
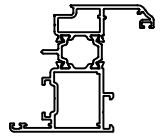
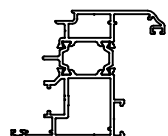
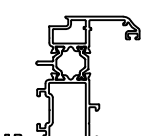
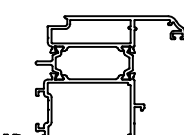
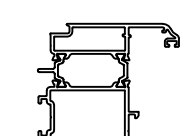
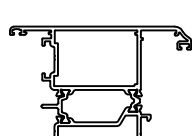
Profil ağırlıklarımız teorik olup; teslim anındaki tartımız geçerlidir.

# TH62 - 1,8mm

YALITIMLI KAPI-PENCERE SİSTEMİ  
THERMAL WINDOW&DOOR SYSTEM

## ASISTAL



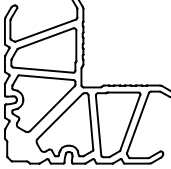

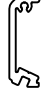


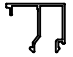

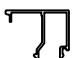


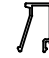
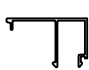






### PROFİL LİSTESİ "2mm" İÇİN - PROFILES LIST FOR "2mm"

TH62 201	Jx cm <sup>4</sup> 27,75	Jy cm <sup>4</sup> 12,91		TH62 231	
2mm -KASA PROFİLİ FRAME PROFILE	AĞIRLIK / Weight 1,645 kg/mt			2mm - ETEK PROFİLİ BOTTOM PLATE PROFILE-2mm	
TH62 222	Jx cm <sup>4</sup> 31,52	Jy cm <sup>4</sup> 19,89			
2 mm-ORTA KAYIT PROFİLİ - 81 mm TRANSOM-MULLION PROFILE	AĞIRLIK / Weight 1,837 kg/mt				
TH62 226	Jx cm <sup>4</sup> 27,28	Jy cm <sup>4</sup> 13,75			
2 mm-ORTA KAYIT PROFİLİ - 75 mm TRANSOM-MULLION PROFILE	AĞIRLIK / Weight 1,670 kg/mt				
TH62 225	Jx cm <sup>4</sup> 80,71	Jy cm <sup>4</sup> 16,25			
2 mm -TAKVİYELİ ORTA KAYIT PROFİLİ SUPPORTED MULLION PROFILE- 2mm	AĞIRLIK / Weight 2,215 kg/mt				
TH62 211	Jx cm <sup>4</sup> 36,91	Jy cm <sup>4</sup> 18,09			
2 mm-KANAT PROFİLİ 2mm SASH PROFILE	AĞIRLIK / Weight 1,839 kg/mt				
TH62 214	Jx cm <sup>4</sup> 41,70	Jy cm <sup>4</sup> 23,46			
2mm-KANAT PROFİLİ MULTI POINT SİSTEM SASH PROFILE-MULTI POINT	AĞIRLIK / Weight 1,952 kg/mt				
TH62 216	Jx cm <sup>4</sup> 13,25	Jy cm <sup>4</sup> 5,79			
2mm DAR KANAT PROFİLİ 2mm SASH PROFILE	AĞIRLIK / Weight 1,691 kg/mt				
TH62 212	Jx cm <sup>4</sup> 49,44	Jy cm <sup>4</sup> 46,86			
2mm-İÇE AÇILIR KAPI KANAT PROFİLİ INNER OPENING DOOR SASH PROFILE-2mm	AĞIRLIK / Weight 2,267 kg/mt				
TH62 215	Jx cm <sup>4</sup> 34,13	Jy cm <sup>4</sup> 27,60			
2mm-İÇE AÇILIR KAPI KANAT PROFİLİ-DAR INNER OPENING DOOR SASH PROFILE-2mm	AĞIRLIK / Weight 2,115 kg/mt				
TH62 213					
2mm-DIŞA AÇILIR KAPI KANAT PROFİLİ OUTWARD OPENING DOOR SASH PROFILE - 2mm	AĞIRLIK / Weight 2,332 kg/mt				

Profil ağırlıklarımız teorik olup; teslim anındaki tartımız geçerlidir.



## PROFİL LİSTESİ - PROFILES LIST

10-010225-00			11-026		
KÖŞE TAKOZU-22,5 mm CORNER JOINT	AĞIRLIK / Weight 3,566 kg/mt		CAM ÇİTASI-26 mm GLAZING BEAD PROFILE	AĞIRLIK / Weight 0,296 kg/mt	
10-010429-00			11-028		
KÖŞE TAKOZU-42,7 mm CORNER JOINT	AĞIRLIK / Weight 5,483 kg/mt		CAM ÇİTASI-28 mm GLAZING BEAD PROFILE	AĞIRLIK / Weight 0,302 kg/mt	
12-91			11-030		
DİK BAĞLANTI T JOINT	AĞIRLIK / Weight 0,794 kg/mt		CAM ÇİTASI-30 mm GLAZING BEAD PROFILE	AĞIRLIK / Weight 0,308 kg/mt	
11-004			11-032		
CAM ÇİTASI-4 mm GLAZING BEAD PROFILE	AĞIRLIK / Weight 0,181 kg/mt		CAM ÇİTASI-32 mm GLAZING BEAD PROFILE	AĞIRLIK / Weight 0,315 kg/mt	
11-006			11-035		
CAM ÇİTASI-6 mm GLAZING BEAD PROFILE	AĞIRLIK / Weight 0,218 kg/mt		CAM ÇİTASI-35 mm GLAZING BEAD PROFILE	AĞIRLIK / Weight 0,323 kg/mt	
11-010			11-038		
CAM ÇİTASI-10 mm GLAZING BEAD PROFILE	AĞIRLIK / Weight 0,233 kg/mt		CAM ÇİTASI-38 mm GLAZING BEAD PROFILE	AĞIRLIK / Weight 0,334 kg/mt	
11-015			11-044		
CAM ÇİTASI-15 mm GLAZING BEAD PROFILE	AĞIRLIK / Weight 0,241 kg/mt		CAM ÇİTASI-44 mm GLAZING BEAD PROFILE	AĞIRLIK / Weight 0,338 kg/mt	
11-017			12-01		
CAM ÇİTASI-17 mm GLAZING BEAD PROFILE	AĞIRLIK / Weight 0,250 kg/mt		DAMLALIK PROFİLİ RAINDROP PROFILE	AĞIRLIK / Weight 0,198 kg/mt	
11-020			12-02		
CAM ÇİTASI-20 mm GLAZING BEAD PROFILE	AĞIRLIK / Weight 0,276 kg/mt		DAMLALIK PROFİLİ RAINDROP PROFILE	AĞIRLIK / Weight 0,136 kg/mt	
11-022			12-03		
CAM ÇİTASI-22 mm GLAZING BEAD PROFILE	AĞIRLIK / Weight 0,282 kg/mt		DAMLALIK PROFİLİ RAINDROP PROFILE	AĞIRLIK / Weight 0,313 kg/mt	

### AKSESUAR LİSTESİ - ACCESSORIES LIST



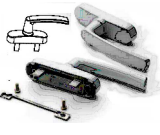






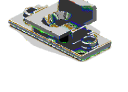

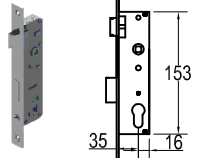



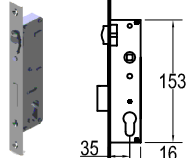



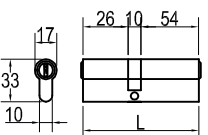
EP1-01			ASI-H 9730		
DIŞ CAM FİTİLİ - 2,5 mm OUTER GLAZING GASKET	KOLİ MİKTARI/Package 240 mt / 15 kg		SİSTEM İKİLİ MENTEŞE DOUBLE SYSTEM HINGE	KOLİ MİKTARI/Package 250 Adet / Piece	
EP2-01			ASI-H 9733		
İÇ CAM FİTİLİ - 3 mm INNER GLAZING GASKET	KOLİ MİKTARI/Package 440 mt / 15 kg		SİSTEM ÜÇLÜ MENTEŞE TRIPLE SYSTEM HINGE	KOLİ MİKTARI/Package 250 Adet / Piece	
EP2-02			ASI-H 3300		
İÇ CAM FİTİLİ - 4 mm INNER GLAZING GASKET	KOLİ MİKTARI/Package 300 mt / 15 kg		SİSTEM KAPI MENTEŞESİ SYSTEM DOOR HINGE	KOLİ MİKTARI/Package Adet / Piece	
EP2-03			ASI-V 820		
İÇ CAM FİTİLİ - 5 mm INNER GLAZING GASKET	KOLİ MİKTARI/Package 250 mt / 15 kg		VASİSTAS AÇILIM KOLU TRANSOM OPENING HANDLE	KOLİ MİKTARI/Package 30 Adet / Piece	
EP4-13			ASI-V 816		
ORTA BİNİ FİTİLİ GASKET FOR OPEN JOINT	KOLİ MİKTARI/Package 100 mt / 15 kg		VASİSTAS AÇILIM KOLU TRANSOM OPENING HANDLE	KOLİ MİKTARI/Package 50 Adet / Piece	
EP4-13K			ASI-V 1000		
VULKANİZE FİTİLİ GASKET FOR CORNER	KOLİ MİKTARI/Package Adet / Piece		VASİSTAS MAKAS (PVC) TRANSOM RESTRICTER	KOLİ MİKTARI/Package 120 Adet / Piece	
EP3-01			ASI-V 1080		
KANAT BİNİ FİTİLİ SASH GASKET	KOLİ MİKTARI/Package 430 mt / 15 kg		VASİSTAS MAKAS TRANSOM RESTRICTER	KOLİ MİKTARI/Package 60 Adet / Piece	
EP3-02			ASI-V 1275-3		
KASA BİNİ FİTİLİ FRAME GASKET	KOLİ MİKTARI/Package 750 mt / 15 kg		VASİSTAS 3 KADEMELİ ÇELİK MAKAS TRANSOM RESTRICTER WITH 3 POSITIONS	KOLİ MİKTARI/Package 10 Adet / Piece	
EP3-03			ASI-V 1275-5		
KASA BİNİ FİTİLİ FRAME GASKET	KOLİ MİKTARI/Package		VASİSTAS 5 KADEMELİ ÇELİK MAKAS TRANSOM RESTRICTER WITH 5 POSITIONS	KOLİ MİKTARI/Package 10 Adet / Piece	
ASI-PVM 001			ASI-V 0148		
PİVOT MENTEŞE PIVOTING HINGE	KOLİ MİKTARI/Package Adet / Piece		VASİSTAS ÇELİK MAKAS TRANSOM STEEL RESTRICTER	KOLİ MİKTARI/Package 100 Adet / Piece	

# TH62 - 1,8mm

YALITIMLI KAPI-PENCERE SİSTEMİ  
THERMAL WINDOW&DOOR SYSTEM

## ASISTAL

### AKSESUAR LİSTESİ - ACCESSORIES LIST

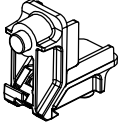
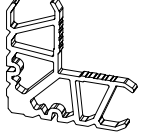
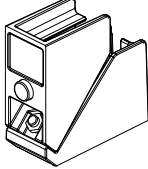
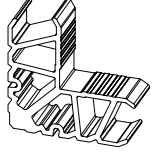
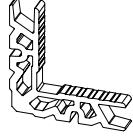
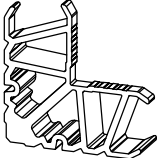
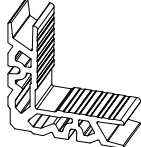
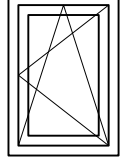
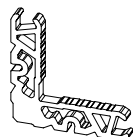
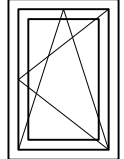
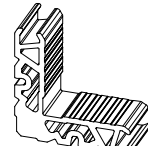

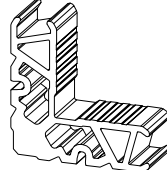
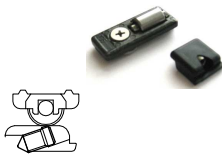
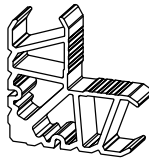
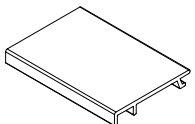
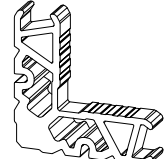
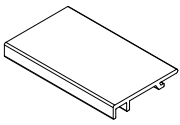
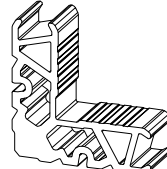
<b>ASI-WH 003</b>		<b>ASI-WH 005</b>	
TEK DİLLİ EKSENEL KOL WINDOW HANDLE	KOLİ MİKTARI/Package Adet / Piece	DIŞA AÇILIR PENCERE KANAT KOLU WINDOW HANDLE FOR OUTWARD OPENING	KOLİ MİKTARI/Package Adet / Piece
<b>ASI-WH 004</b>		<b>ASI-WH005-58</b>	
ÇİFT DİLLİ EKSENEL KOL WINDOW HANDLE	KOLİ MİKTARI/Package Adet / Piece	DIŞA AÇILIR PENCERE KOL DİLİ - 58mm HANDLE FORK FOR OUTWARD OPENING - 58mm	KOLİ MİKTARI/Package Adet / Piece
<b>ASI-WH 004A</b>		<b>ASI-WH 005K</b>	
ÇİFT DİLLİ EKSENEL KOL - ANAHTARLI WINDOW HANDLE WITH LOCK	KOLİ MİKTARI/Package Adet / Piece	DIŞA AÇILIR PENCERE KOL BAĞLANTI-19mm HANDLE CONNECTOR FOR OUTWARD OPENING-19mm	KOLİ MİKTARI/Package Adet / Piece
<b>ASI-KA M108</b>		<b>ASI-RP 001</b>	
EKSENEL KOL KİLİTLEME MEKANİZMASI LOCKING FOR WINDOW	KOLİ MİKTARI/Package Adet / Piece	TİJ PİMİ ROD PROFILE LOCKING	KOLİ MİKTARI/Package Adet / Piece
<b>ASI-KA P200</b>		<b>ASI-RS 001</b>	
EKSENEL KOL KİLİTLEME MEKANİZMASI LOCKING FOR WINDOW	KOLİ MİKTARI/Package Adet / Piece	PİM KARŞILIĞI ROD PROFILE STRIKES	KOLİ MİKTARI/Package 120 Adet / Piece
<b>ASI-KA VNT</b>		<b>ASI-153 35</b>	
KANAT SABİTLEME SASH FIXING	KOLİ MİKTARI/Package Adet / Piece	DİLLİ KİLİT MORTISE LOCK WITH CYLINDER	KOLİ MİKTARI/Package Adet / Piece
<b>ASI-WH 001</b>		<b>ASI-LS 90185D</b>	
KARE MİLLİ PENCERE KOLU WINDOW HANDLE	KOLİ MİKTARI/Package Adet / Piece	DİLLİ KİLİT KARŞILIĞI LOCK STRIKES	KOLİ MİKTARI/Package Adet / Piece
<b>ASI-WH 001A</b>		<b>ASI-155 35</b>	
KARE MİLLİ PENCERE KOLU-ANAHTARLI WINDOW HANDLE WITH LOCK	KOLİ MİKTARI/Package Adet / Piece	MAKARALI KİLİT MORTISE LOCK WITH ROLLER	KOLİ MİKTARI/Package Adet / Piece
<b>ASI-WH 001B</b>		<b>ASI-LS 90185M</b>	
KARE MİLLİ PENCERE KOLU - İKİLİ TAKIM WINDOW HANDLE WITH LOCK	KOLİ MİKTARI/Package Takım / Set	MAKARALI KİLİT KARŞILIĞI ROLLER LOCK STRIKES	KOLİ MİKTARI/Package Adet / Piece
<b>ASI-DH 002</b>		<b>ASI-BRL 90</b>	
KAPI KOLU DOOR HANDLE	KOLİ MİKTARI/Package Adet / Piece	90 LİK BAREL CYLINDER 90	KOLİ MİKTARI/Package 250 Adet / Piece

### AKSESUAR LİSTESİ - ACCESSORIES LIST

<b>ASI-B 2217</b>			<b>ASI-FUJI 2000</b>		
SÜRGÜ KİLİTLEME-KISA SASH FIXING LOCK-SHORT	KOLİ MİKTARI/Package 240 Adet / Piece		AYARLI KÖŞE GÖNYESİ CORNER ALIGNMENT	KOLİ MİKTARI/Package Adet / Piece	
<b>ASI-B 2215</b>			<b>ASI-SB 19</b>		
SÜRGÜ KİLİTLEME-UZUN SASH FIXING LOCK-LONG	KOLİ MİKTARI/Package 120 Adet / Piece		KÖŞE GÖNYESİ CORNER ALIGNMENT	KOLİ MİKTARI/Package 1000 Adet / Piece	
<b>ASI-DH 60Y</b>			<b>ASI-SB 19.1</b>		
ÇEKME KAPI KOLU DOOR HANDLE	KOLİ MİKTARI/Package Adet / Piece		KÖŞE GÖNYESİ CORNER ALIGNMENT	KOLİ MİKTARI/Package 1000 Adet / Piece	
<b>TH62 HOK</b>			<b>ASI-DB 9174</b>		
ADAPTÖR KAPAĞI ADAPTER COVER	KOLİ MİKTARI/Package alt-üst 1 takım		DİK BAĞLANTI T JOINT	KOLİ MİKTARI/Package Adet / Piece	
<b>KF 67-1000</b>			<b>ASI-DB 9116</b>		
FIRÇA FİTİL BRUSH GASKET	KOLİ MİKTARI/Package 600 mt		DİK BAĞLANTI T JOINT	KOLİ MİKTARI/Package Adet / Piece	
<b>ASI-F 100A</b>			<b>ASI-DB 9143</b>		
KAPI ALTI FIRÇASI DOOR BRUSH GASKET	KOLİ MİKTARI/Package Adet / Piece		DİK BAĞLANTI T JOINT	KOLİ MİKTARI/Package Adet / Piece	
<b>ASI-WDC 01</b>			<b>ASI-DB 9123</b>		
YAĞMUR TAHLİYE KAPAĞI WATER REJECT COVER	KOLİ MİKTARI/Package Adet / Piece		DİK BAĞLANTI T JOINT	KOLİ MİKTARI/Package Adet / Piece	
<b>ASI-WDC 02</b>			<b>ASI-P 100.1</b>		
KLAPELİ YAĞMUR TAHLİYE KAPAĞI WATER REJECT COVER	KOLİ MİKTARI/Package Adet / Piece		ORTA KAYIT BAĞLANTI T JOINT	KOLİ MİKTARI/Package 250 Adet / Piece	
<b>ASI-FUJI 2400</b>					
AYARLI ORTA KAYIT BAĞLANTI T JOINT CONNECTION	KOLİ MİKTARI/Package Adet / Piece				
<b>ASI-FUJI 2700</b>					
AYARLI ORTA KAYIT BAĞLANTI T JOINT CONNECTION	KOLİ MİKTARI/Package Adet / Piece				



## AKSESUAR LİSTESİ - ACCESSORIES LIST

ASI-PB 2326			ASI-KT 3807		
PİMLİ KÖŞE BAĞLANTI CORNER JOINT	KOLİ MİKTARI/Package 200 Adet / Piece		KÖŞE TAKOZU CORNER JOINT	KOLİ MİKTARI/Package Adet / Piece	
ASI-PB 2650			ASI-KT 3830		
PİMLİ KÖŞE BAĞLANTI CORNER JOINT	KOLİ MİKTARI/Package 150 Adet / Piece		KÖŞE TAKOZU CORNER JOINT	KOLİ MİKTARI/Package Adet / Piece	
ASI-KT 1609			ASI-KT 4308		
KÖŞE TAKOZU CORNER JOINT	KOLİ MİKTARI/Package Adet / Piece		KÖŞE TAKOZU CORNER JOINT	KOLİ MİKTARI/Package Adet / Piece	
ASI-KT 1626			ASI-ALU TT		
KÖŞE TAKOZU CORNER JOINT	KOLİ MİKTARI/Package Adet / Piece		ÇİFT EKSEN AÇILIM MEKANİZMASI TILT&TURN OPENING	KOLİ MİKTARI/Package Takım / Set	
ASI-KT 1807			ASI-PVC TT		
KÖŞE TAKOZU CORNER JOINT	KOLİ MİKTARI/Package Adet / Piece		ÇİFT EKSEN AÇILIM MEKANİZMASI TILT&TURN OPENING	KOLİ MİKTARI/Package Takım / Set	
ASI-KT 1830			ASI-MEK VW		
KÖŞE TAKOZU CORNER JOINT	KOLİ MİKTARI/Package Adet / Piece		PARALEL SÜRME MEKANİZMASI TILT&SLIDE OPENING	KOLİ MİKTARI/Package Takım / Set	
ASI-KT 2660			ASI-SS 01		
KÖŞE TAKOZU CORNER JOINT	KOLİ MİKTARI/Package Adet / Piece		KANAT DESTEK TAKOZU SASH SUPPORT BOTTOM	KOLİ MİKTARI/Package Takım / Set	
ASI-KT 2650			SG50-TH62-01		
KÖŞE TAKOZU CORNER JOINT	KOLİ MİKTARI/Package Adet / Piece		KANAT CAM TAKOZU GLASS SUPPORT FOR SASH	KOLİ MİKTARI/Package Adet / Piece	
ASI-KT 2308			SG50-TH62-02		
KÖŞE TAKOZU CORNER JOINT	KOLİ MİKTARI/Package Adet / Piece		KASA CAM TAKOZU GLASS SUPPORT FOR FRAME	KOLİ MİKTARI/Package Adet / Piece	
ASI-KT 2319					
KÖŞE TAKOZU CORNER JOINT	KOLİ MİKTARI/Package Adet / Piece				

**TH62 - 1,8mm**

YALITIMLI KAPI-PENCERE SİSTEMİ  
THERMAL WINDOW&DOOR SYSTEM

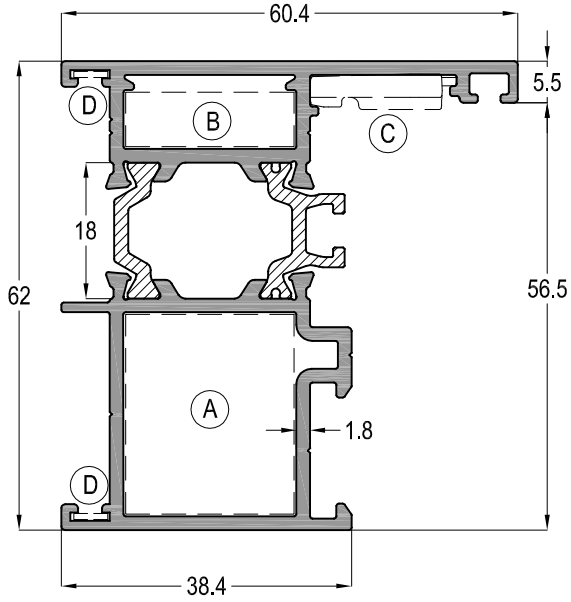
**ASISTAL**


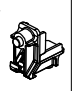

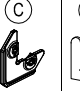
**PROFİL DETAYLARI**  
*PROFILE DETAILS*

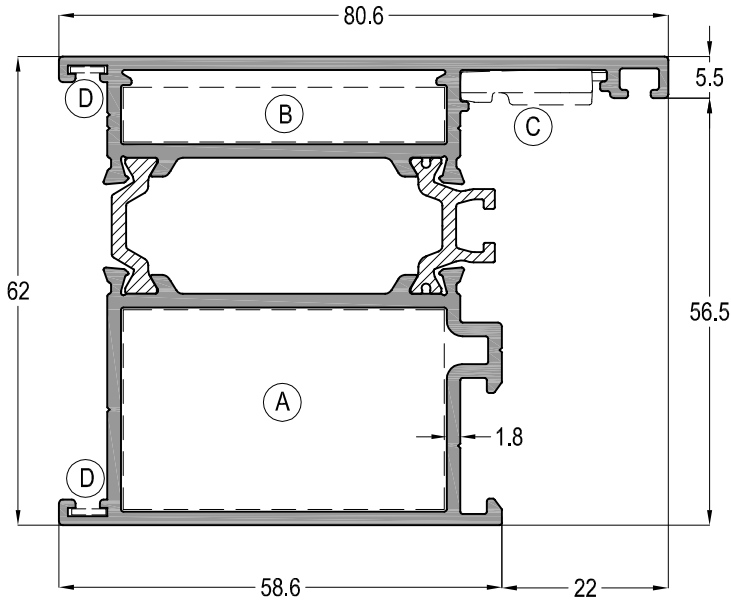
# TH62 - 1,8mm


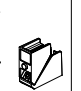
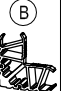

YALITIMLI KAPI-PENCERE SİSTEMİ  
THERMAL WINDOW&DOOR SYSTEM

**ASISTAL**



TH62 01				Jx cm <sup>4</sup>	Jy cm <sup>4</sup>
				24,89	11,95
				AĞIRLIK / Weight	
ASI-KT 2660-ASI-PB 2326	ASI-KT 2308	ASI-FUJI 2000	ASI-SB 19	1,523 kg/mt	

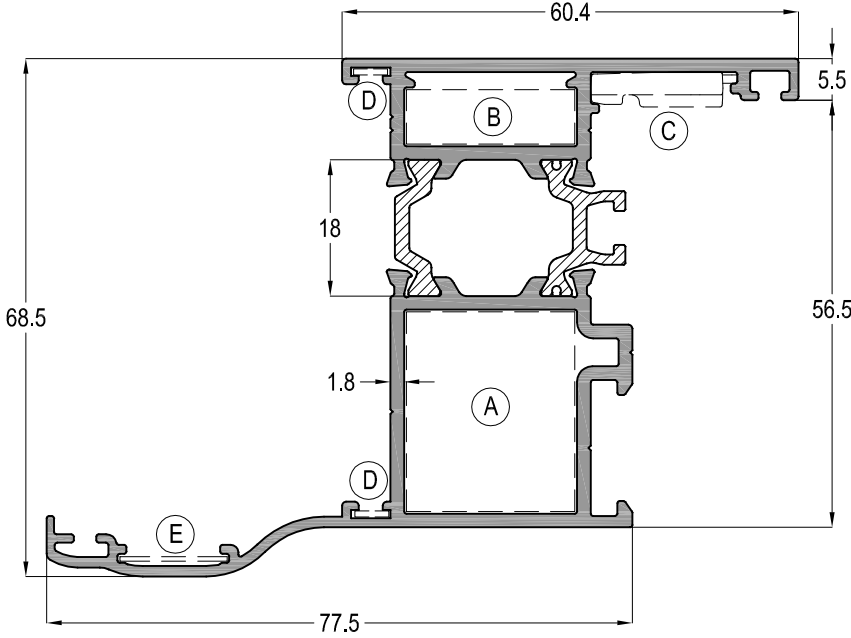


TH62 02				Jx cm <sup>4</sup>	Jy cm <sup>4</sup>
				31,92	28,04
				AĞIRLIK / Weight	
ASI-KT 2650-ASI-PB 2650	ASI-KT 4308	ASI-FUJI 2000	ASI-SB 19	1,895 kg/mt	





# TH62 - 1,8mm

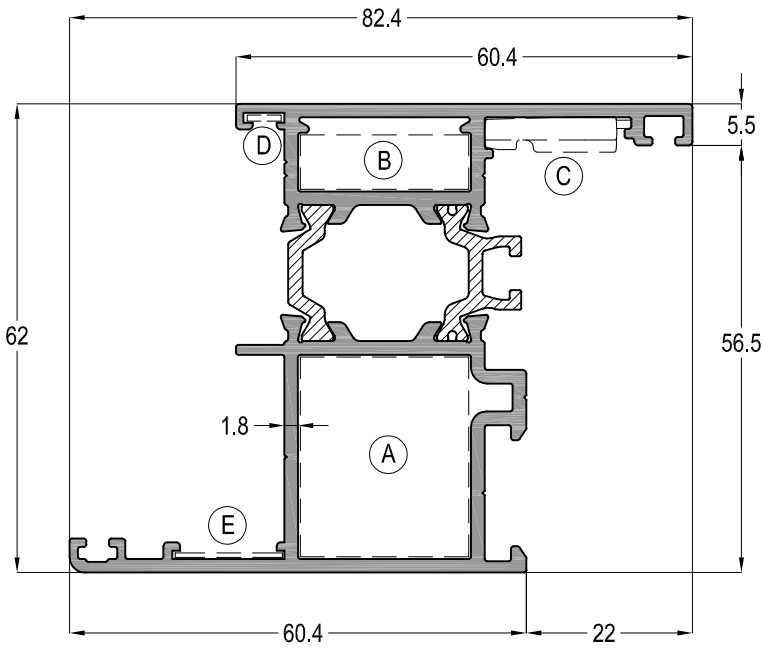
YALITIMLI KAPI-PENCERE SİSTEMİ  
THERMAL WINDOW&DOOR SYSTEM

**ASISTAL**



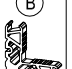



TH62 03				Jx cm <sup>4</sup>	Jy cm <sup>4</sup>
				35,24	26,33
				AĞIRLIK / Weight	
				1,705 kg/mt	

A	B	C	E
			
ASI-KT 2660-ASI-PB 2326	ASI-KT 2308	ASI-FUJII 2000	ASI-SB 19.1



TH62 04				Jx cm <sup>4</sup>	Jy cm <sup>4</sup>
				30,36	17,66
				AĞIRLIK / Weight	
				1,659 kg/mt	

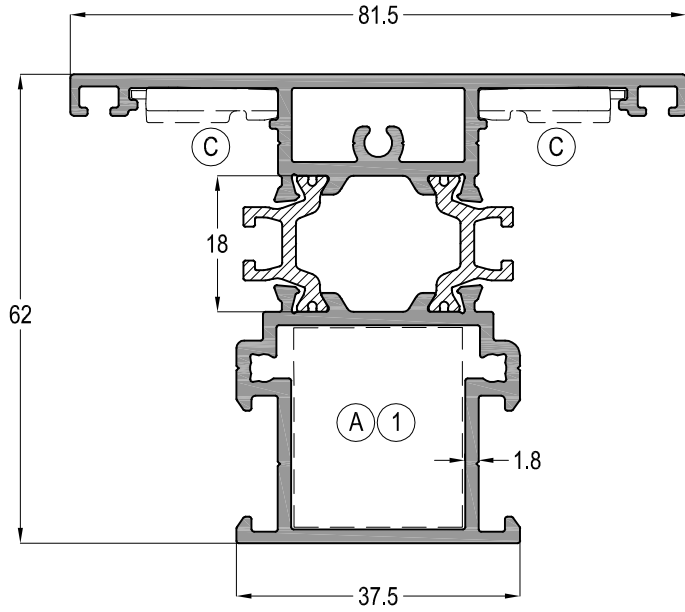
A	B	C	E
			
ASI-KT 2660-ASI-PB 2326	ASI-KT 2308	ASI-FUJII 2000	ASI-SB 19.1



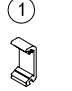


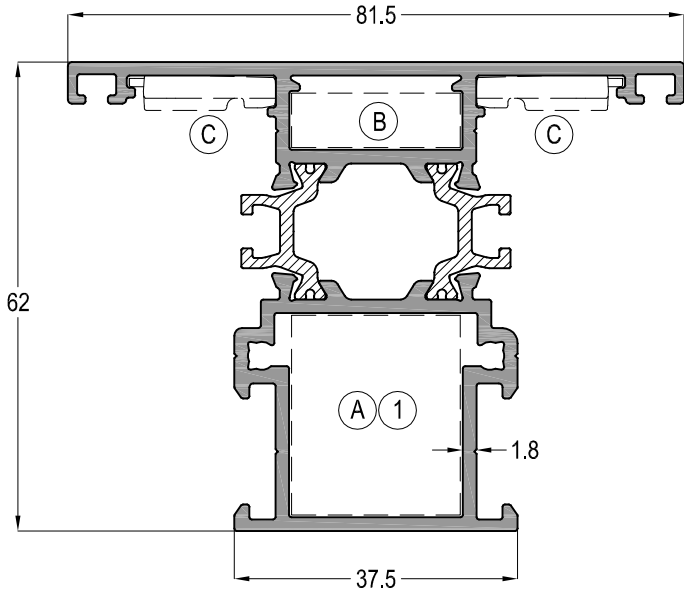
# TH62 - 1,8mm


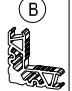

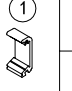
YALITIMLI KAPI-PENCERE SİSTEMİ  
THERMAL WINDOW&DOOR SYSTEM

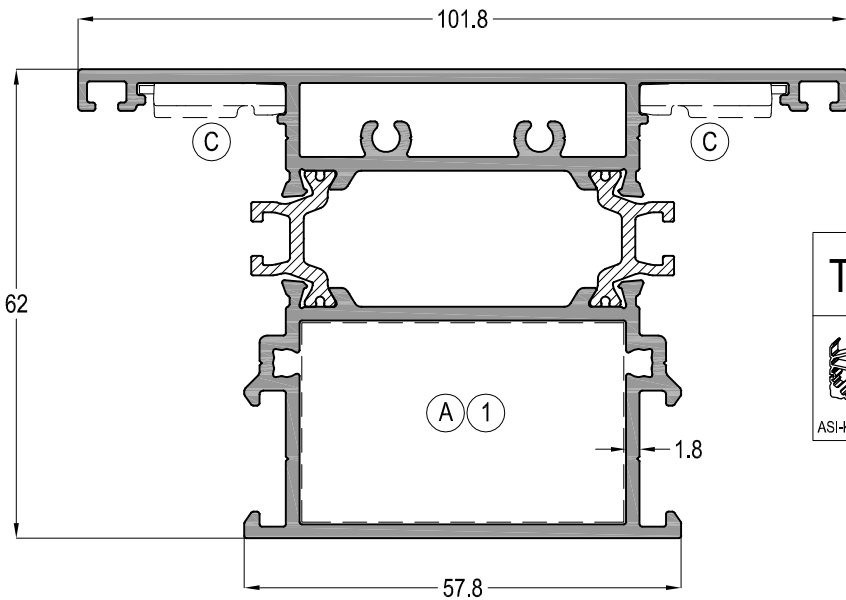
ASISTAL



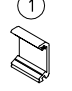


TH62 21			Jx cm <sup>4</sup>	Jy cm <sup>4</sup>
			28,23	18,31
 (A)	 (C)	 (1)	AĞIRLIK / Weight	
ASI-KT 2660-ASI-PB 2326	ASI-FUJJI 2000	ASI-DB 9123	1,767 kg/mt	



TH62 22				Jx cm <sup>4</sup>	Jy cm <sup>4</sup>
				28,01	18,34
 (A)	 (B)	 (C)	 (1)	AĞIRLIK / Weight	
ASI-KT 2660-ASI-PB 2326	ASI-KT 2308	ASI-FUJJI 2000	ASI-DB 9123	1,730 kg/mt	

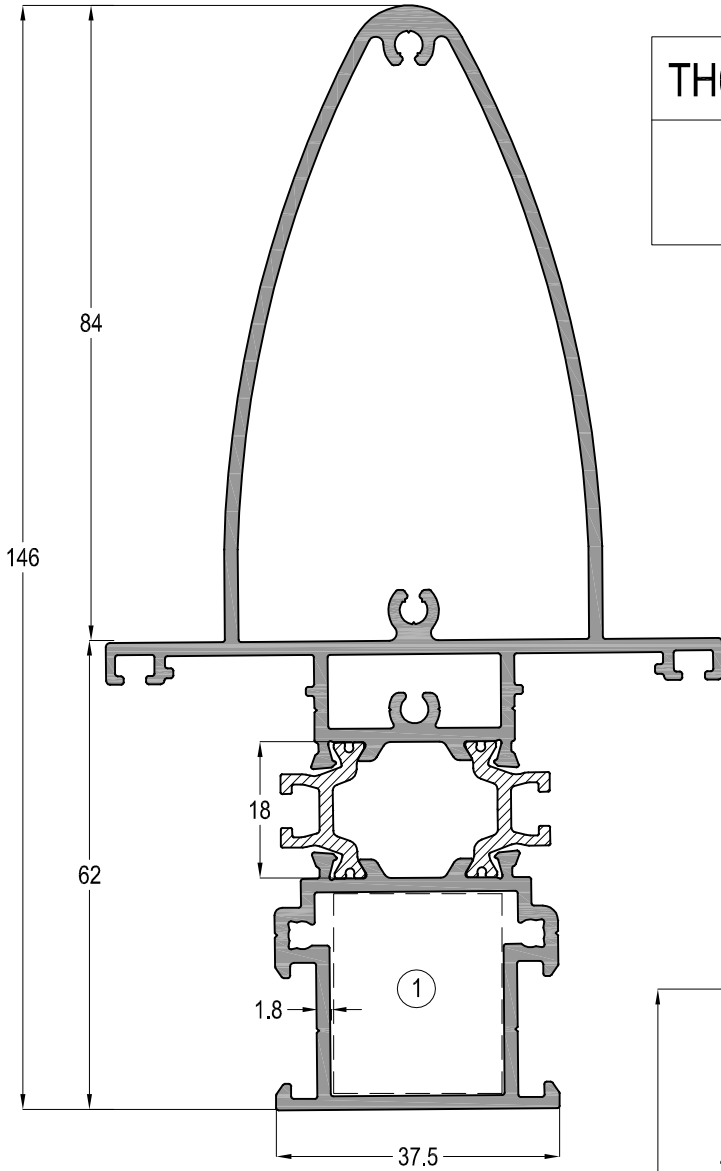



TH62 23			Jx cm <sup>4</sup>	Jy cm <sup>4</sup>
			36,32	45,61
 (A)	 (C)	 (1)	AĞIRLIK / Weight	
ASI-KT 2650-ASI-PB 2650	ASI-FUJJI 2000	ASI-DB 9143	2,181 kg/mt	

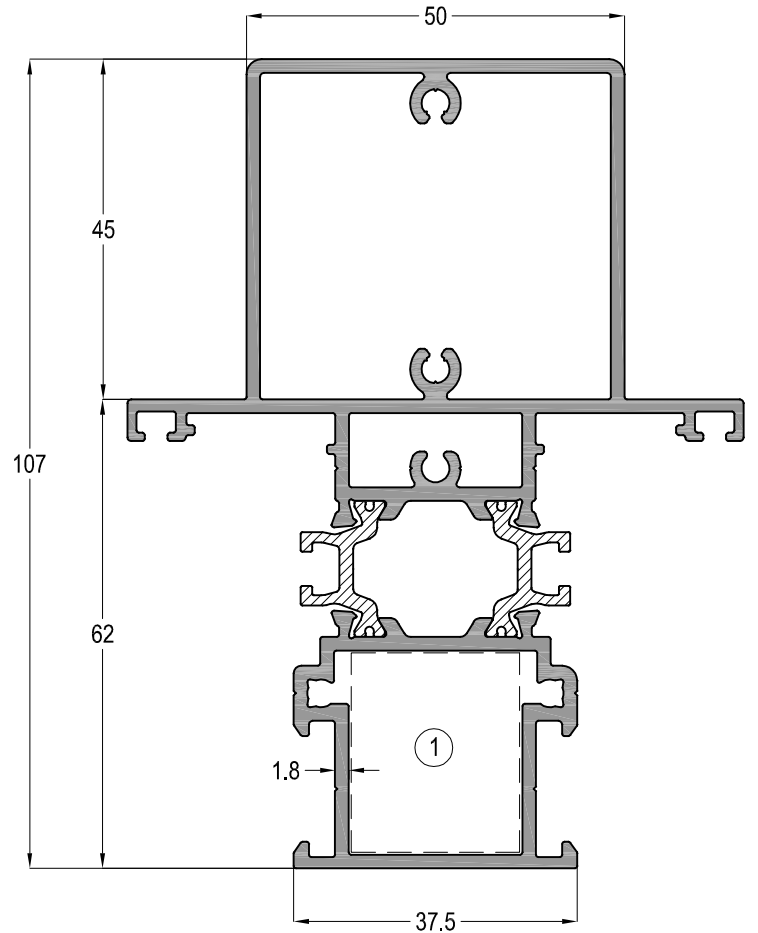
Profil ağırlıklarımız teorik olup; teslim anındaki tartımız geçerlidir.


# TH62 - 1,8mm

YALITIMLI KAPI-PENCERE SİSTEMİ  
THERMAL WINDOW&DOOR SYSTEM



TH62 24	Jx cm <sup>4</sup>	Jy cm <sup>4</sup>
	169,87	26,60
 ASI-DB 9123	AĞIRLIK / Weight	
	2,789 kg/mt	



TH62 25	Jx cm <sup>4</sup>	Jy cm <sup>4</sup>
	92,92	29,16
 ASI-DB 9123	AĞIRLIK / Weight	
	2,560 kg/mt	

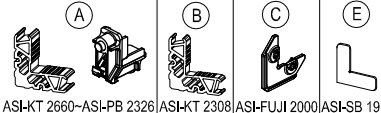
Profil ağırlıklarımız teorik olup; teslim anındaki tartımız geçerlidir.

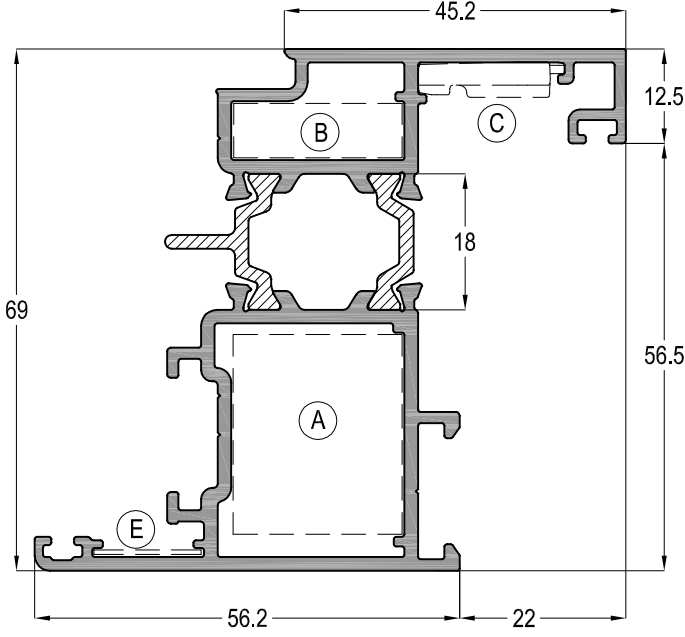
# TH62 - 1,8mm

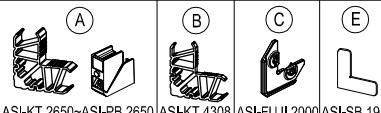
YALITIMLI KAPI-PENCERE SİSTEMİ  
THERMAL WINDOW&DOOR SYSTEM

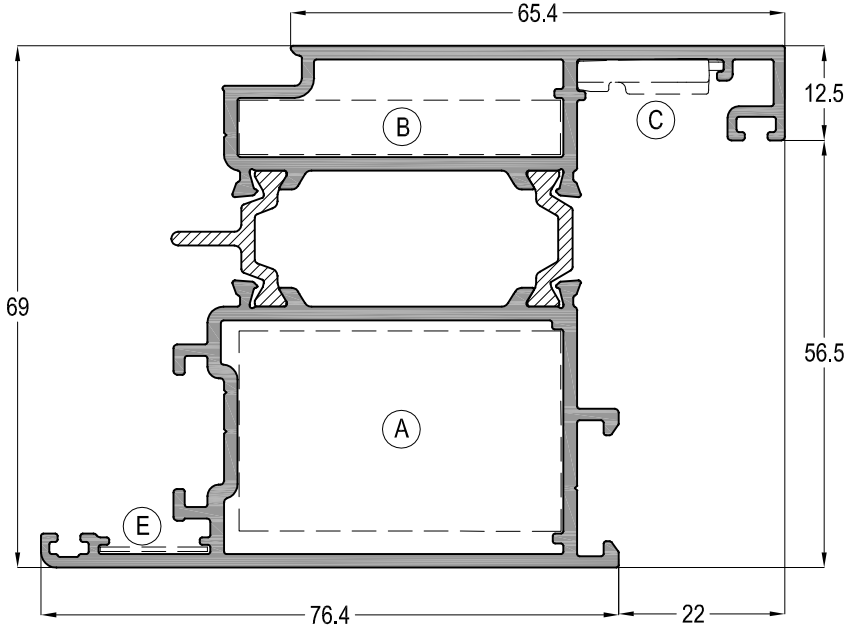
**ASISTAL**

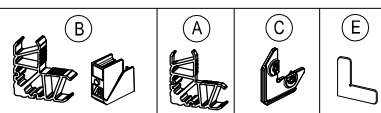
## THS SERİSİ DÜZ KANAT PROFİLLERİ THS SERIES FLAT SASH PROFILES

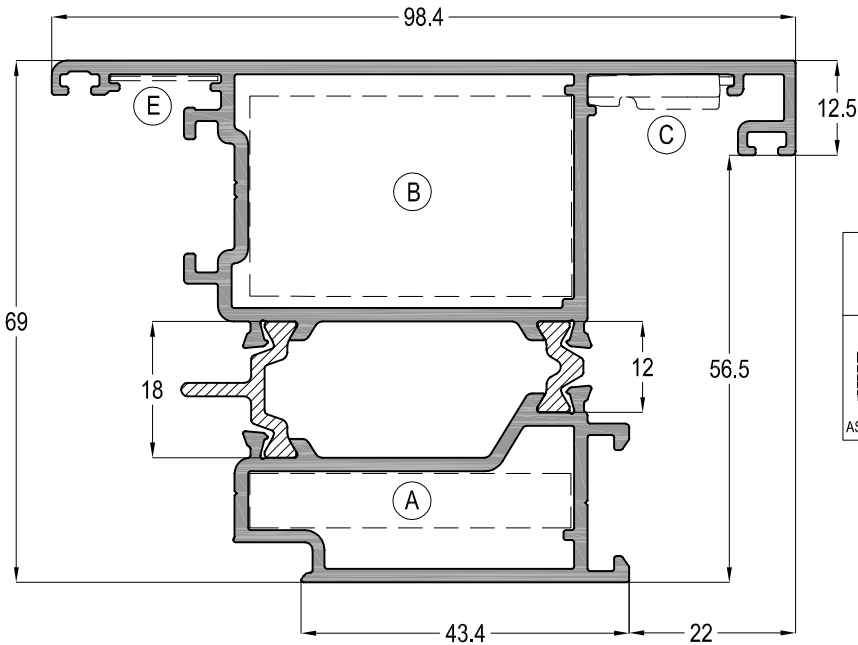
THS62 11	Jx cm <sup>4</sup>	Jy cm <sup>4</sup>
	37,72	19,17
	AĞIRLIK / Weight	
ASI-KT 2660-ASI-PB 2326 ASI-KT 2308 ASI-FUJI 2000 ASI-SB 19.1	1,756 kg/mt	



THS62 12	Jx cm <sup>4</sup>	Jy cm <sup>4</sup>
	47,03	46,41
	AĞIRLIK / Weight	
ASI-KT 2650-ASI-PB 2650 ASI-KT 4308 ASI-FUJI 2000 ASI-SB 19.1	2,149 kg/mt	



THS62 13	Jx cm <sup>4</sup>	Jy cm <sup>4</sup>
	46,35	46,54
	AĞIRLIK / Weight	
ASI-KT 2650-ASI-PB 2650 ASI-KT 4308 ASI-FUJI 2000 ASI-SB 19.1	2,180 kg/mt	

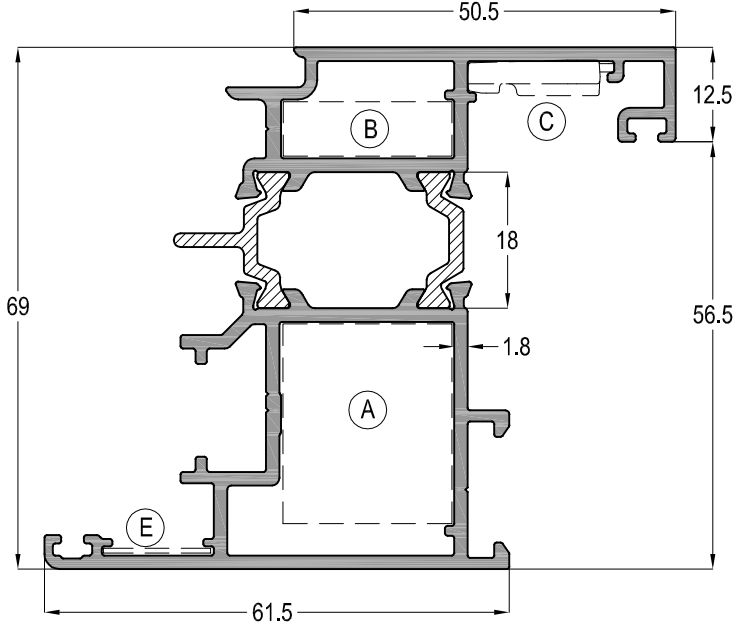


Profil ağırlıklarımız teorik olup; teslim anındaki tartımız geçerlidir.

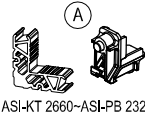
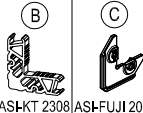
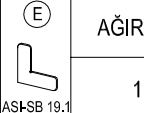
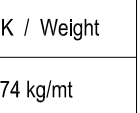
# TH62 - 1,8mm

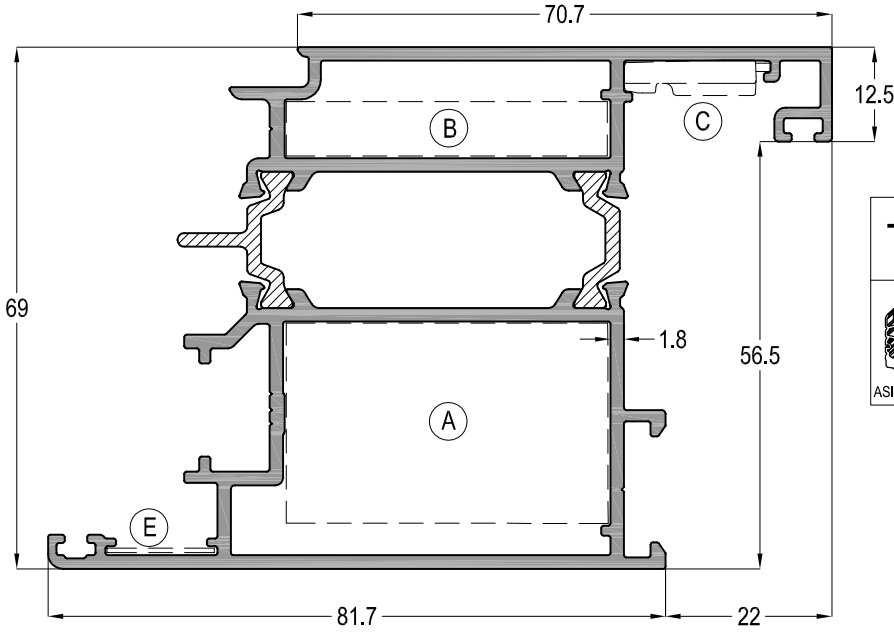
YALITIMLI KAPLI-PENCERE SİSTEMİ  
THERMAL WINDOW&DOOR SYSTEM


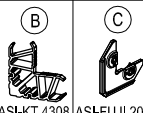
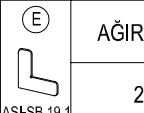
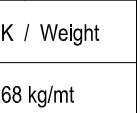
**ASISTAL**

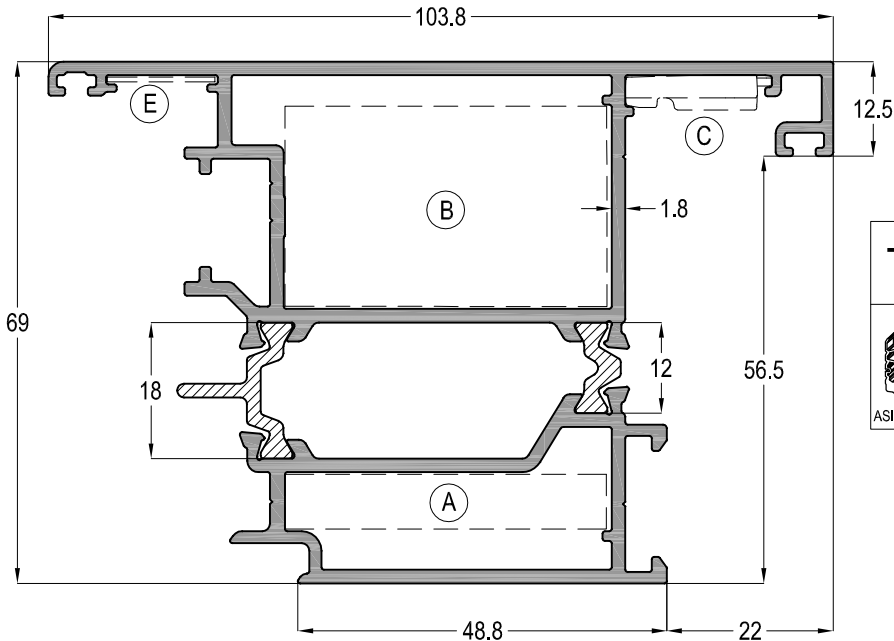


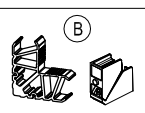
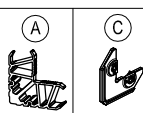
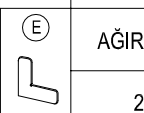
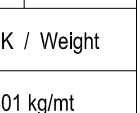
## THS SERİSİ ÇOK NOKTADAN KİLİTLEME KANAT PROFİLLERİ THS SERIES MULTI POINT LOCK SASH PROFILES

THS62 14	Jx cm <sup>4</sup>	Jy cm <sup>4</sup>
	40,20	23,93
   	AĞIRLIK / Weight	
ASI-KT 2660-ASI-PB 2326   ASI-KT 2308   ASI-FUJJI 2000   ASI-SB 19.1	1,874 kg/mt	



THS62 15	Jx cm <sup>4</sup>	Jy cm <sup>4</sup>
	49,51	55,01
   	AĞIRLIK / Weight	
ASI-KT 2650-ASI-PB 2650   ASI-KT 4308   ASI-FUJJI 2000   ASI-SB 19.1	2,268 kg/mt	



THS62 16	Jx cm <sup>4</sup>	Jy cm <sup>4</sup>
	48,92	55,38
   	AĞIRLIK / Weight	
ASI-KT 2650-ASI-PB 2650   ASI-KT 4308   ASI-FUJJI 2000   ASI-SB 19.1	2,301 kg/mt	

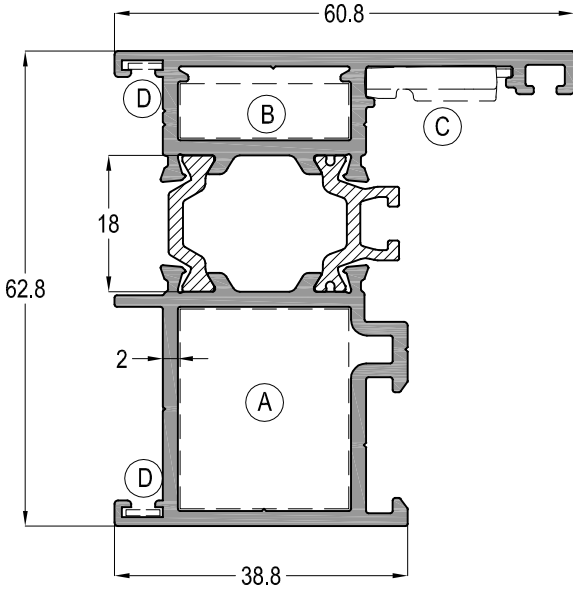
Profil ağırlıklarımız teorik olup; teslim anındaki tartımız geçerlidir.

# TH62 - 1,8mm

YALITIMLI KAPI-PENCERE SİSTEMİ  
THERMAL WINDOW&DOOR SYSTEM

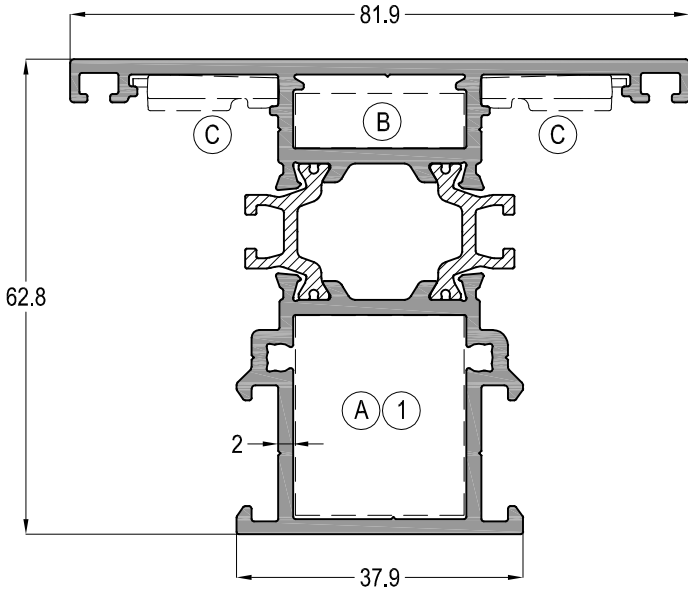


2 mm ET KALINLIĞINDA SİSTEM PROFİLLERİ  
2 mm THICKNESS SYSTEM PROFILES



TH62 201				Jx cm <sup>4</sup>	Jy cm <sup>4</sup>
				27,75	12,91
AĞIRLIK / Weight					
				1,645 kg/mt	

A	B	C	D



TH62 222				Jx cm <sup>4</sup>	Jy cm <sup>4</sup>
				31,52	19,89
AĞIRLIK / Weight					
				1,837 kg/mt	

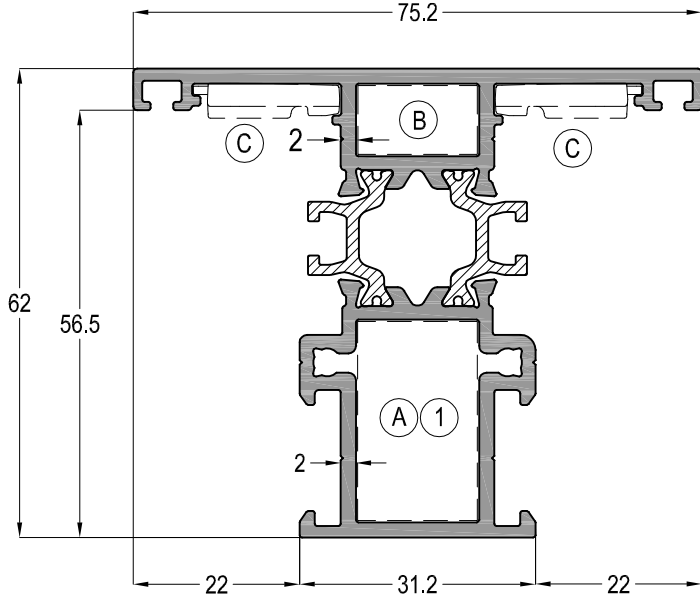
A	B	C	1

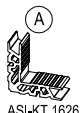


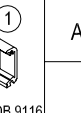
# TH62 - 1,8mm

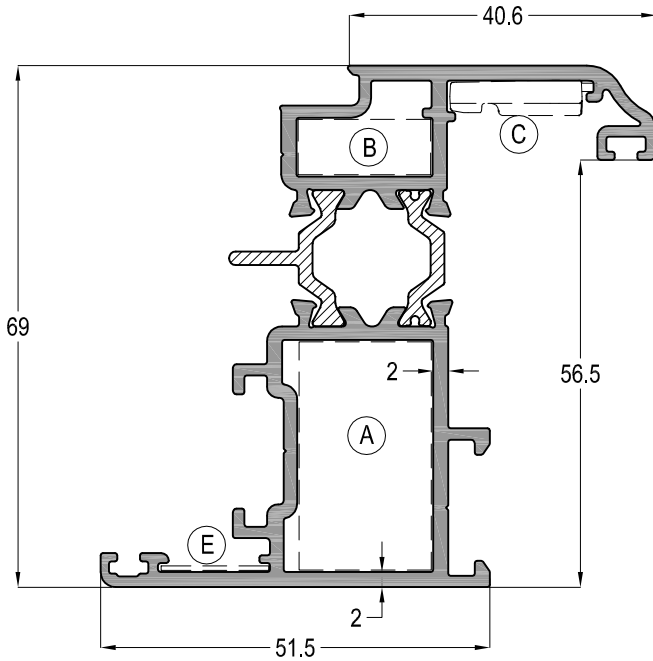
YALITIMLI KAPI-PENCERE SİSTEMİ  
THERMAL WINDOW&DOOR SYSTEM


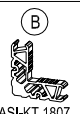

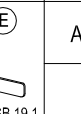
**ASISTAL**

2 mm ET KALINLIĞINDA SİSTEM PROFİLLERİ  
2 mm THICKNESS SYSTEM PROFILES



TH62 226				Jx cm <sup>4</sup>	Jy cm <sup>4</sup>
				27,28	13,75
 ASI-KT 1626	 ASI-KT 1609	 ASI-FUJJI 2000	 ASI-DB 9116	AĞIRLIK / Weight	
				1,670 kg/mt	



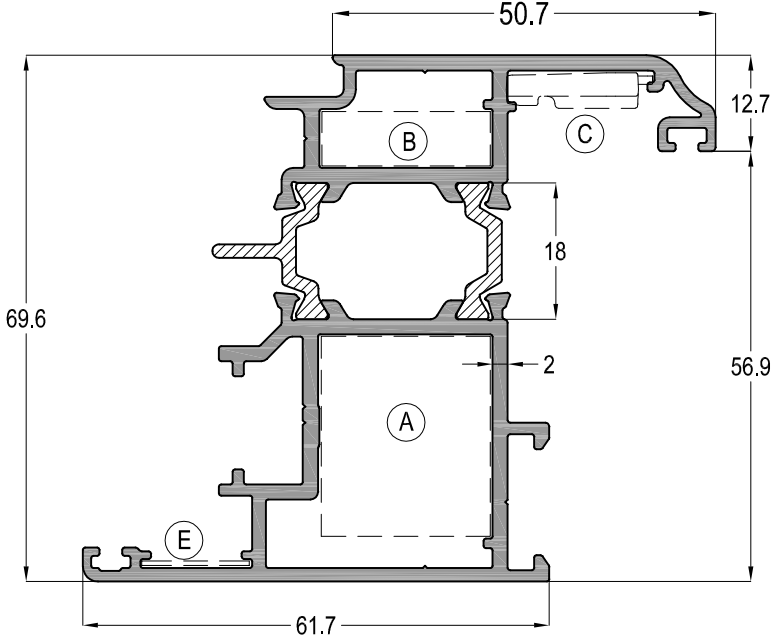
TH62 216				Jx cm <sup>4</sup>	Jy cm <sup>4</sup>
				13,25	5,79
 ASI-KT 1830	 ASI-KT 1807	 ASI-FUJJI 2000	 ASI-SB 19,1	AĞIRLIK / Weight	
				1,691 kg/mt	



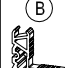

# TH62 - 1,8mm

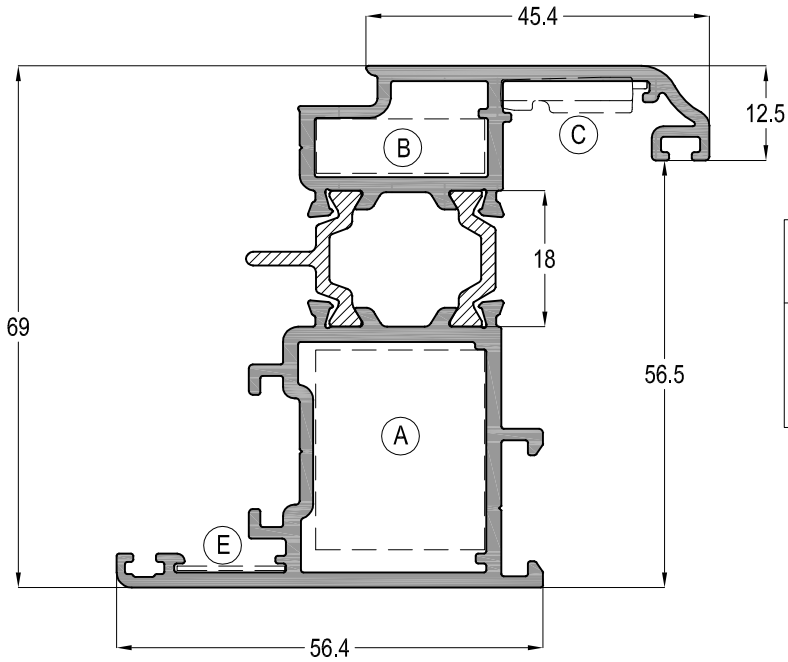
YALITIMLI KAPI-PENCERE SİSTEMİ  
THERMAL WINDOW&DOOR SYSTEM





**ASISTAL**

2 mm ET KALINLIĞINDA SİSTEM PROFİLLERİ  
2 mm THICKNESS SYSTEM PROFILES



TH62 214		Jx cm <sup>4</sup>	Jy cm <sup>4</sup>
		41,70	23,46
 A	 B	AĞIRLIK / Weight	
 C	 E	1,952 kg/mt	
ASI-KT 2660-ASI-PB 2326		ASI-KT 2308	
ASI-FUJII 2000		ASI-SB 19.1	



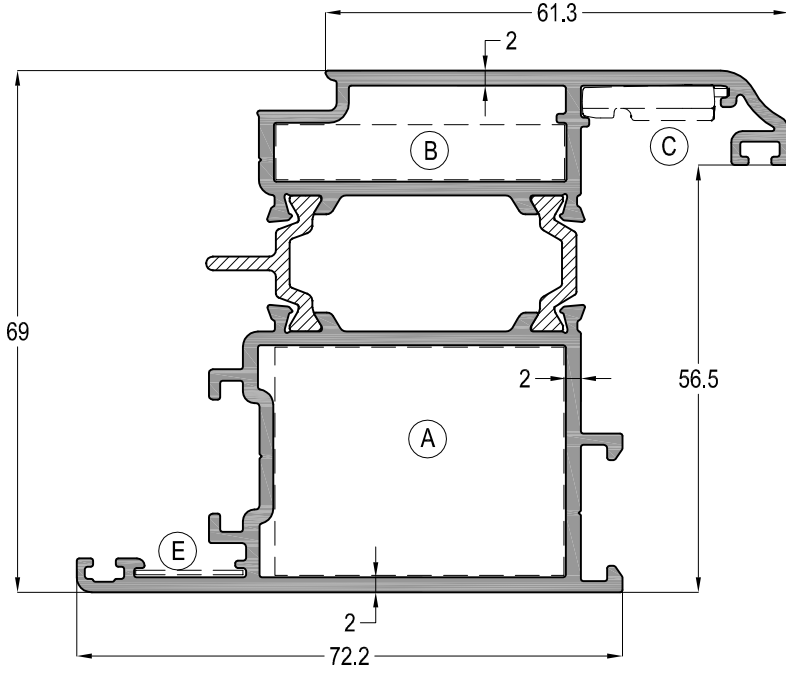
TH62 211		Jx cm <sup>4</sup>	Jy cm <sup>4</sup>
		41,70	23,46
 A	 B	AĞIRLIK / Weight	
 C	 E	1,839 kg/mt	
ASI-KT 2660-ASI-PB 2326		ASI-KT 2308	
ASI-FUJII 2000		ASI-SB 19.1	

# TH62 - 1,8mm

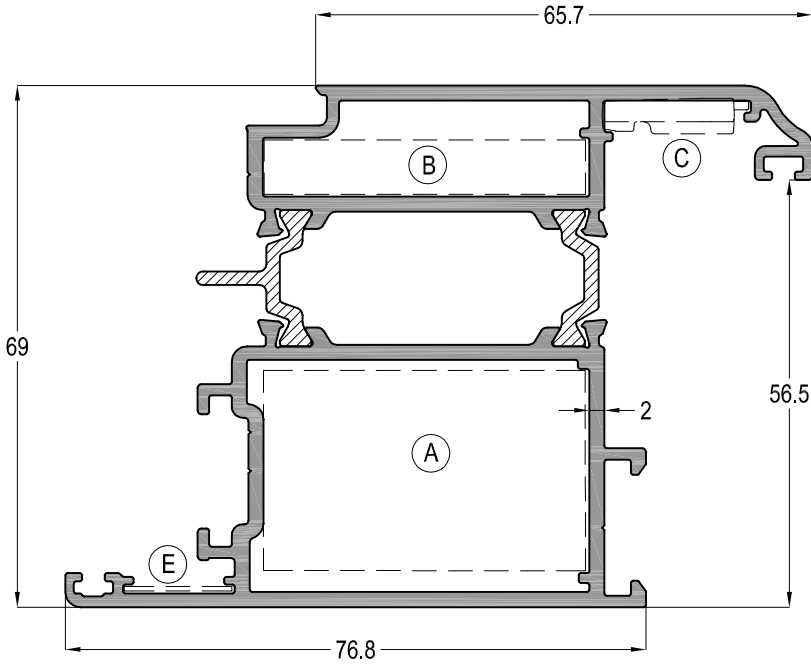
YALITIMLI KAPI-PENCERE SİSTEMİ  
THERMAL WINDOW&DOOR SYSTEM

**ASISTAL**

2 mm ET KALINLIĞINDA SİSTEM PROFİLLERİ  
2 mm THICKNESS SYSTEM PROFILES



TH62 215				Jx cm <sup>4</sup>	Jy cm <sup>4</sup>
				34,13	27,60
(A)	(B)	(C)	(E)	AĞIRLIK / Weight	
ASI-KT 3830	ASI-KT 3807	ASI-FUJII 2000	ASI-SB 19.1	2,115 kg/mt	



TH62 212				Jx cm <sup>4</sup>	Jy cm <sup>4</sup>
				49,44	46,86
(A)	(B)	(C)	(E)	AĞIRLIK / Weight	
ASI-KT 2650-ASI-PB 2650	ASI-KT 4308	ASI-FUJII 2000	ASI-SB 19.1	2,267 kg/mt	

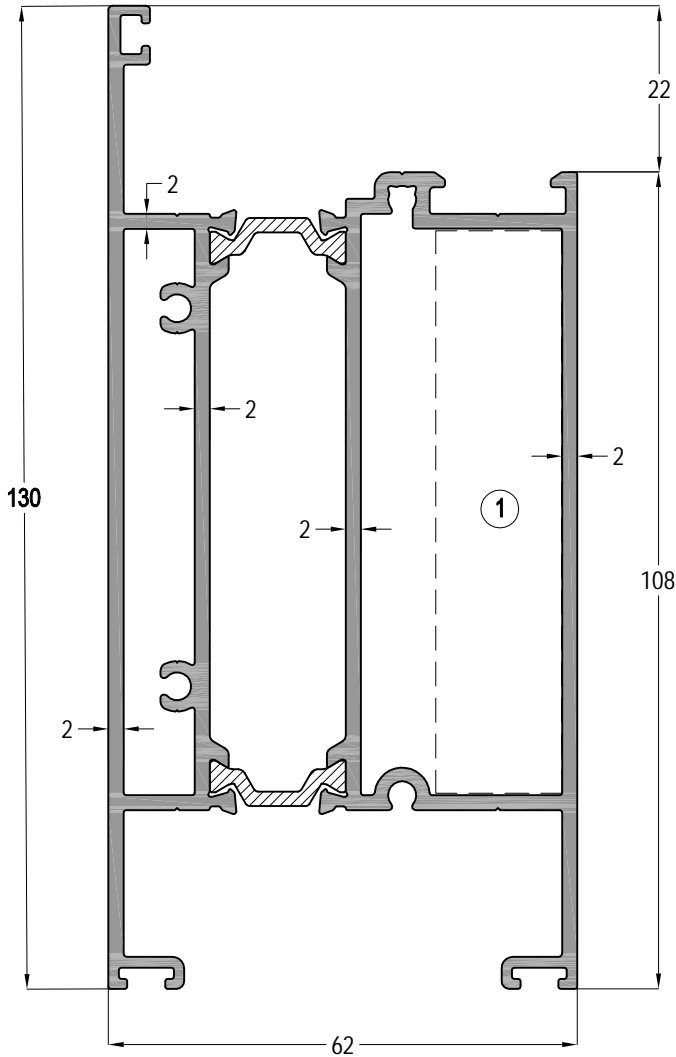
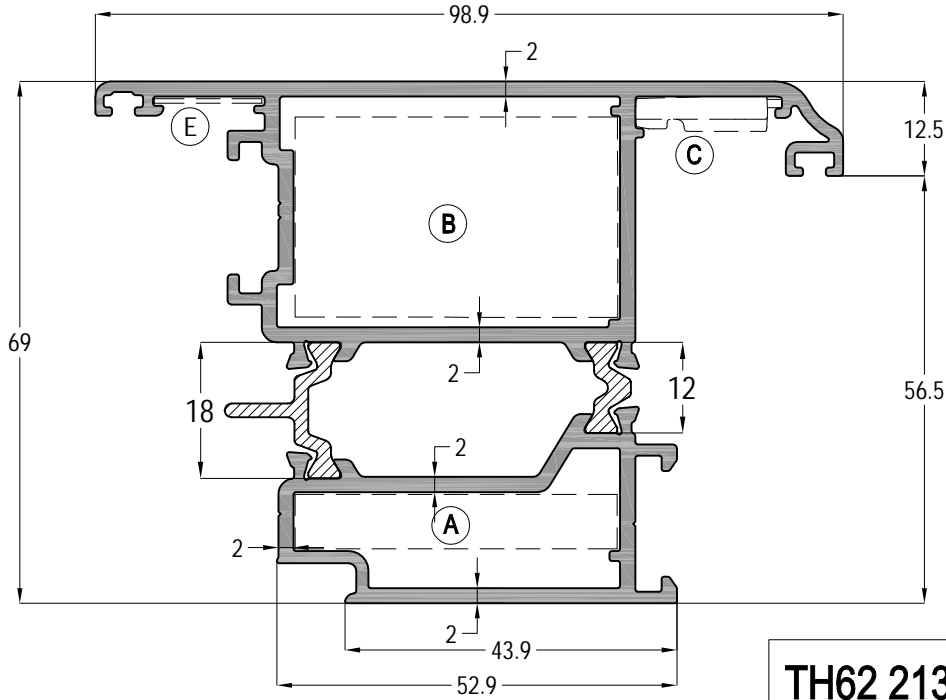


# TH62 - 1,8mm

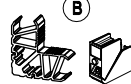


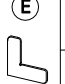
YALITIMLI KAPI-PENCERE SİSTEMİ  
THERMAL WINDOW&DOOR SYSTEM

**ASISTAL**

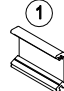
## 2 mm ET KALINLIĞINDA SİSTEM PROFİLLERİ 2 mm THICKNESS SYSTEM PROFILES



### TH62 213

				AĞIRLIK / Weight
				2,332 kg/mt
ASI-KT 2650-ASI-PB 2650	ASI-KT 4308	ASI-FUJI 2000	ASI-SB 19.1	

### TH62 231

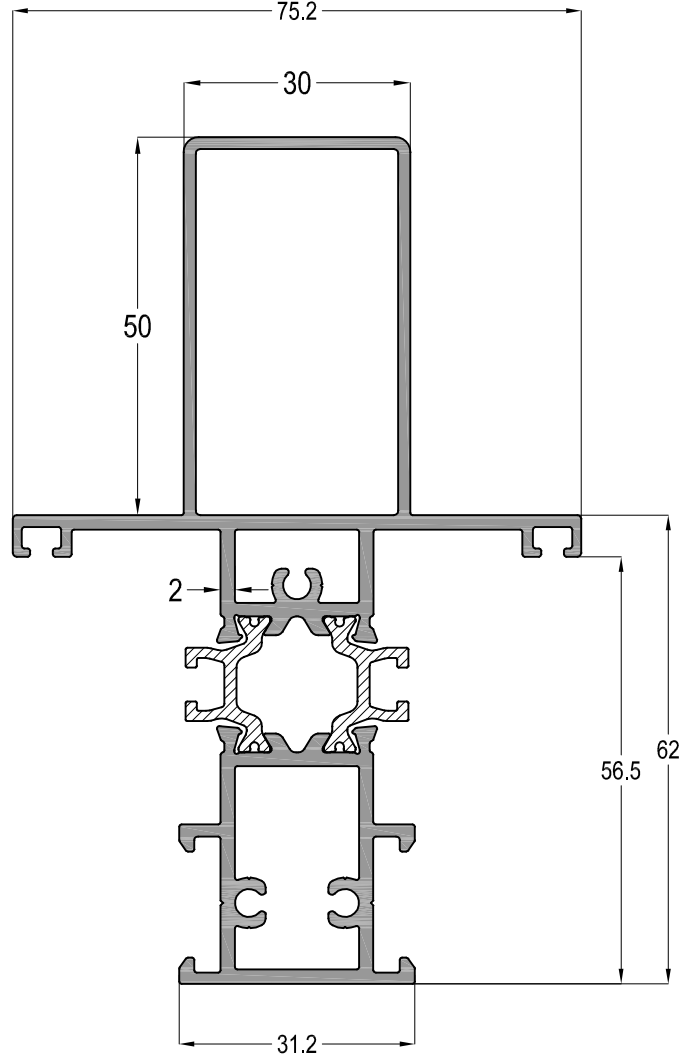
		AĞIRLIK / Weight
		3,091 kg/mt
ASI-DB 9174		

# TH62 - 1,8mm

YALITIMLI KAPI-PENCERE SİSTEMİ  
THERMAL WINDOW&DOOR SYSTEM

**ASISTAL**

2 mm ET KALINLIĞINDA SİSTEM PROFİLLERİ  
2 mm THICKNESS SYSTEM PROFILES



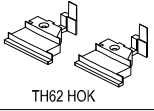
TH62 225	Jx cm <sup>4</sup>	Jy cm <sup>4</sup>
	80,71	16,25
	AĞIRLIK / Weight	
	2,215 kg/mt	

# TH62 - 1,8mm

YALITIMLI KAPI-PENCERE SİSTEMİ  
THERMAL WINDOW&DOOR SYSTEM

## ASISTAL

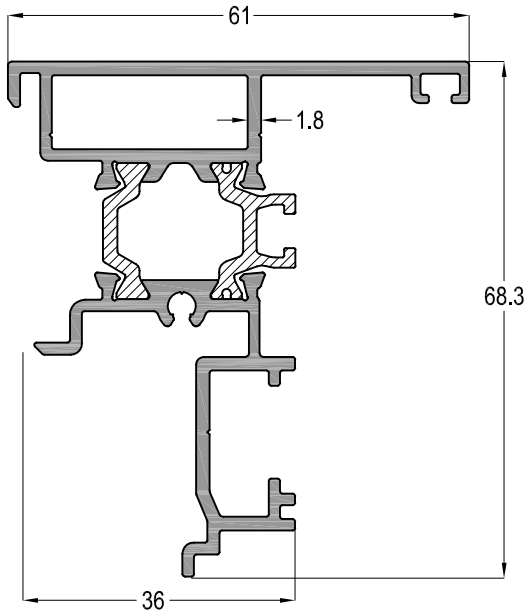
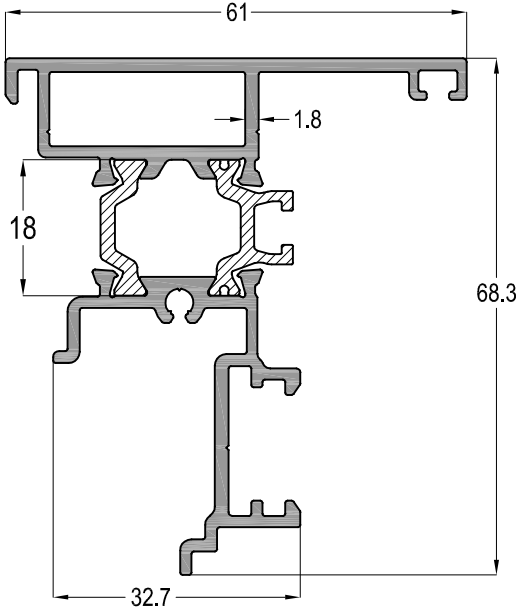
### TH62 41



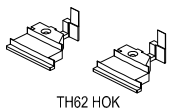
TH62 HOK

AĞIRLIK / Weight

1,314 kg/mt



### TH62 42

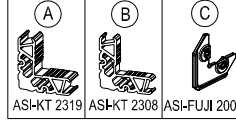


TH62 HOK

AĞIRLIK / Weight

1,335 kg/mt

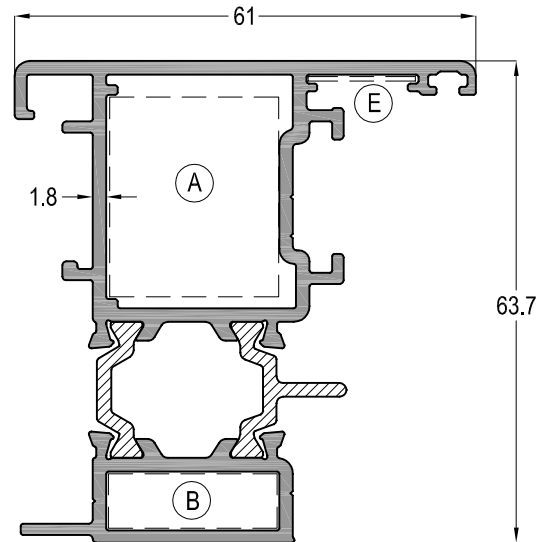
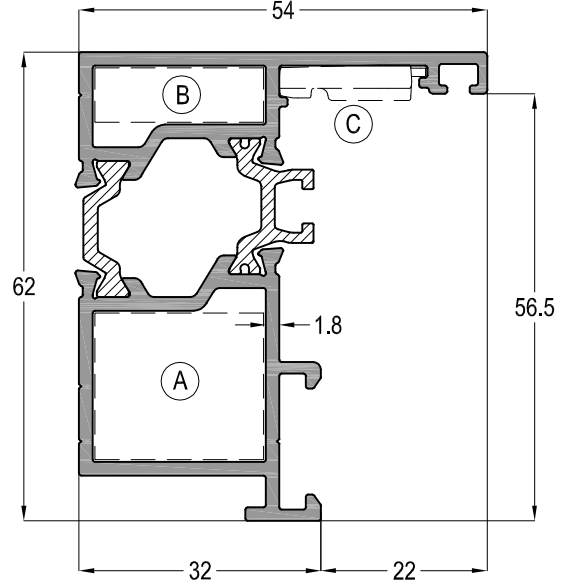
### TH62 43



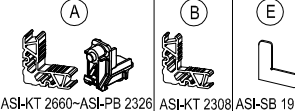
ASI-KT 2319 | ASI-KT 2308 | ASI-FUJI 2000

AĞIRLIK / Weight

1,397 kg/mt



### TH62 46



ASI-KT 2660-ASI-PB 2326 | ASI-KT 2308 | ASI-SB 19.1

AĞIRLIK / Weight

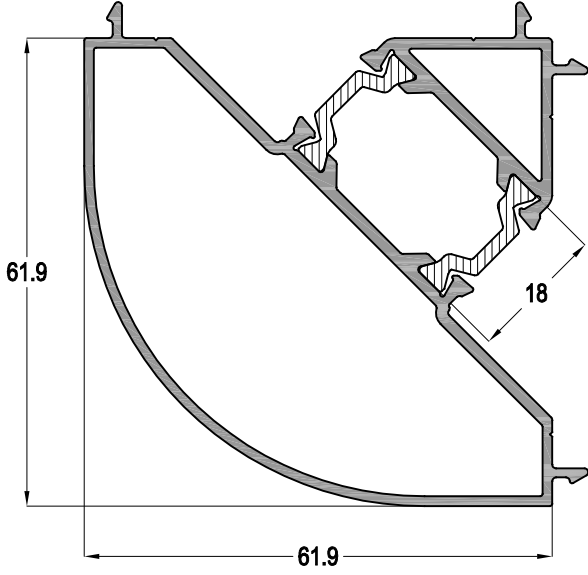
1,557 kg/mt

# TH62 - 1,8mm

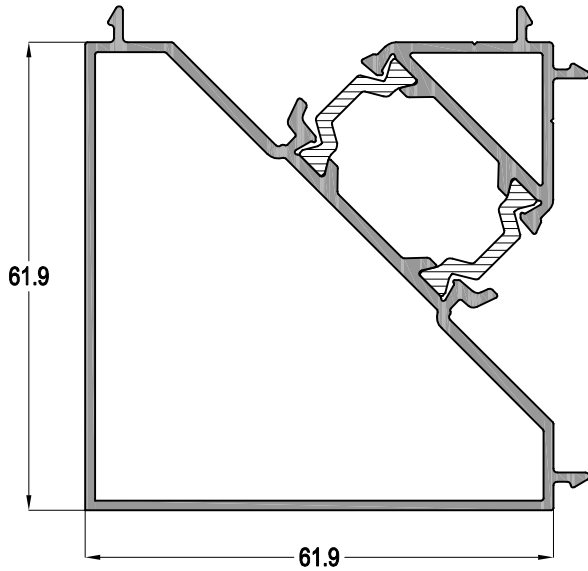
YALITIMLI KAPI-PENCERE SİSTEMİ  
THERMAL WINDOW&DOOR SYSTEM

## ASISTAL

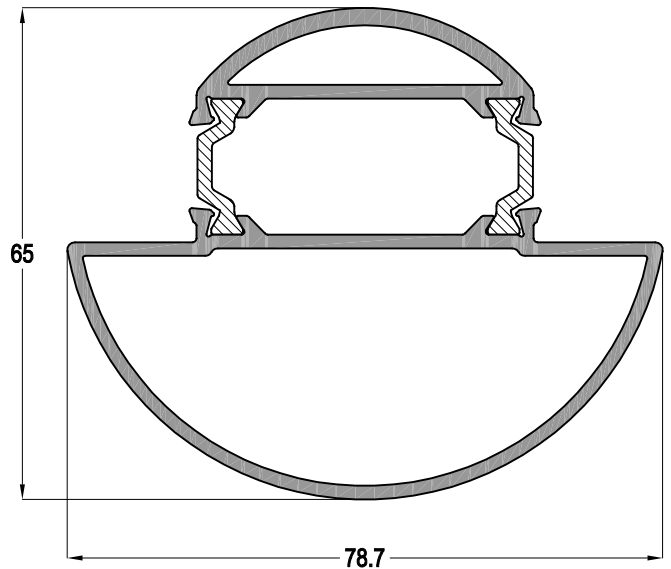
<b>TH62 51</b>	Jx cm <sup>4</sup>	Jy cm <sup>4</sup>
	20,71	20,71
AĞIRLIK / Weight		
1,356 kg/mt		



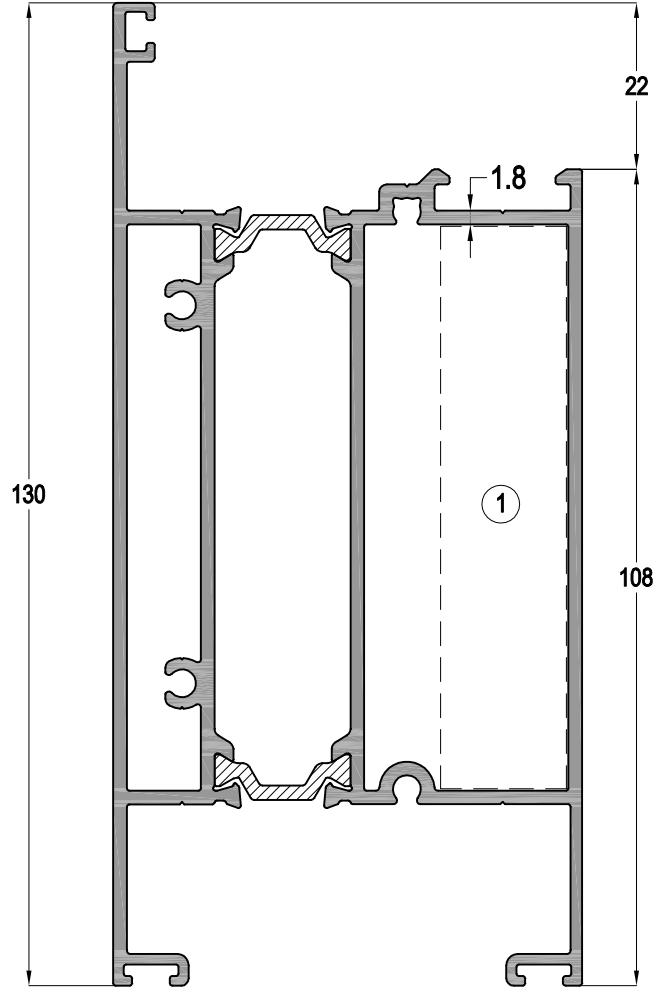
<b>TH62 53</b>	Jx cm <sup>4</sup>	Jy cm <sup>4</sup>
	23,98	26,18
AĞIRLIK / Weight		
1,456 kg/mt		



<b>TH62 52</b>	Jx cm <sup>4</sup>	Jy cm <sup>4</sup>
	28,53	23,54
AĞIRLIK / Weight		
1,679 kg/mt		



<b>TH62 31</b>	Jx cm <sup>4</sup>	Jy cm <sup>4</sup>
	128,53	52,28
AĞIRLIK / Weight		
2,834 kg/mt		



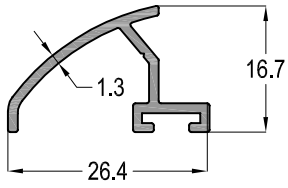
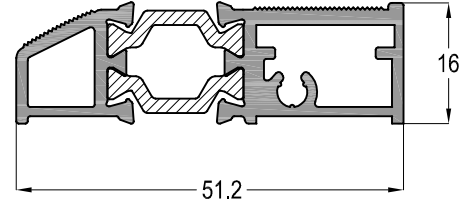
# TH62 - 1,8mm

YALITIMLI KAPI-PENCERE SİSTEMİ  
THERMAL WINDOW&DOOR SYSTEM

## ASISTAL

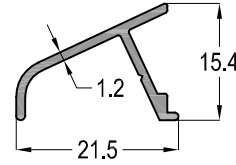
12-32

0,793 kg/mt



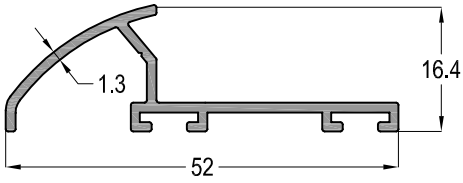
12-01

0,198 kg/mt



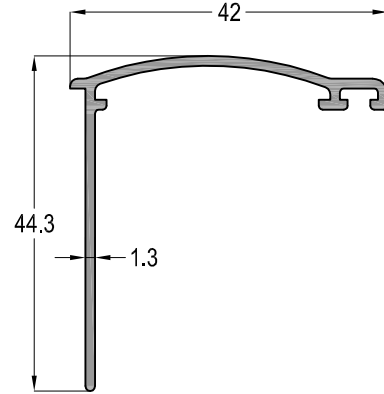
12-02

0,136 kg/mt



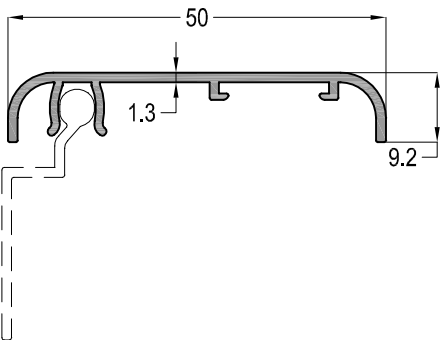
12-03

0,313 kg/mt



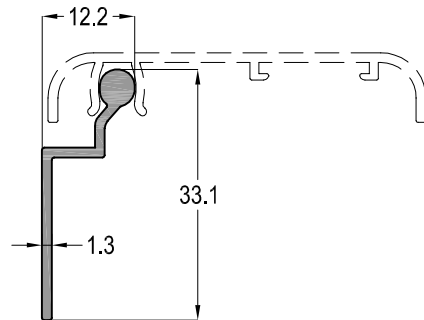
12-54

0,326 kg/mt



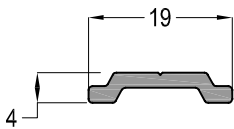
12-52

0,279 kg/mt



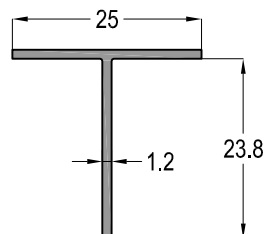
12-53

0,177 kg/mt



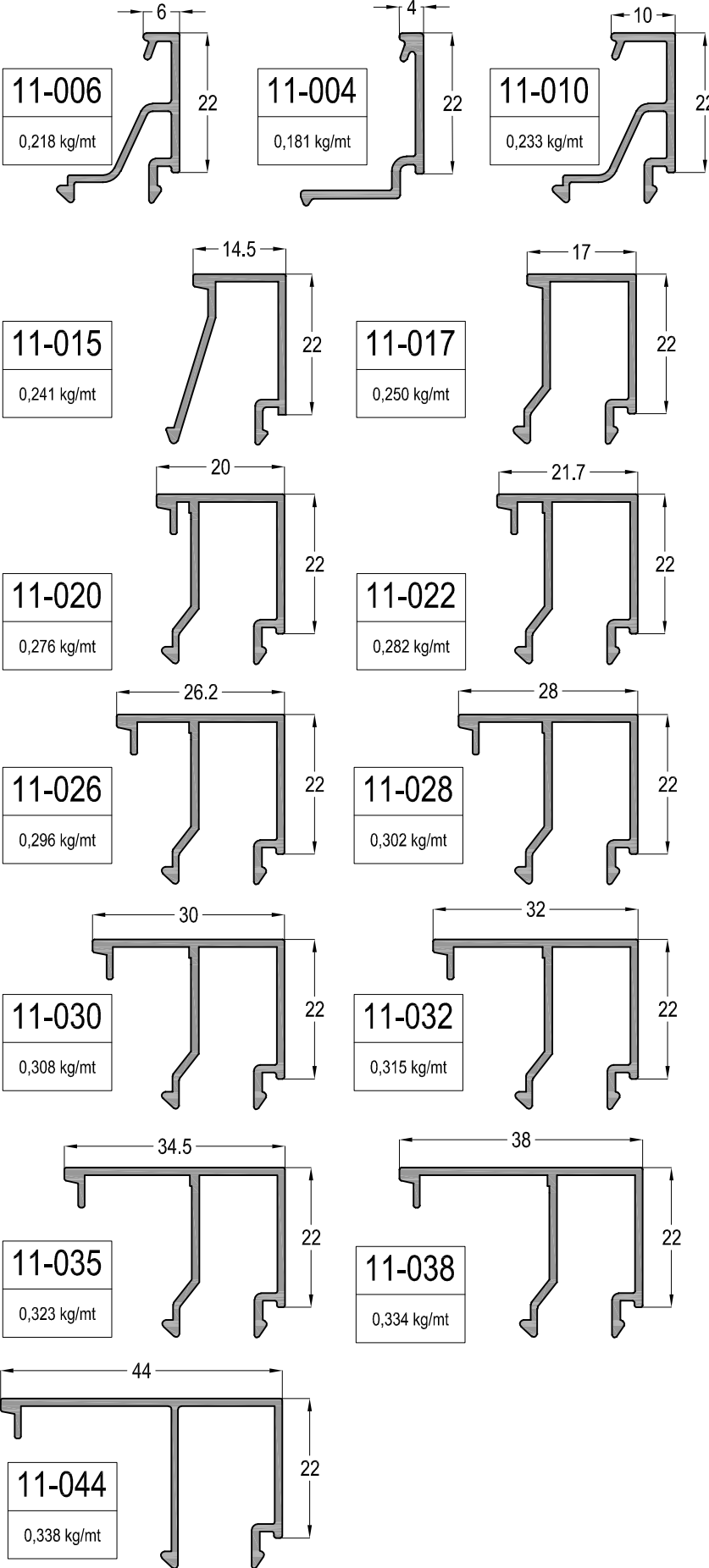
12-41

0,118 kg/mt



04-025025-12

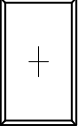
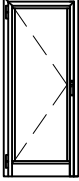
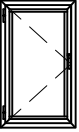
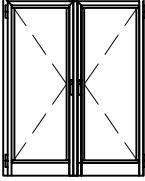
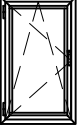

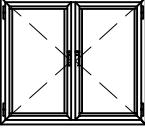
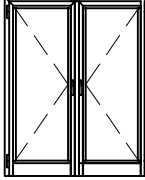
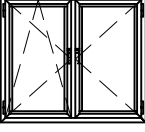
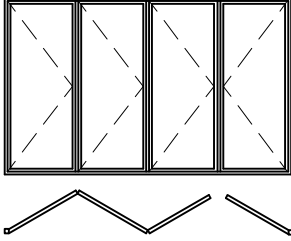
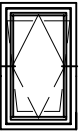
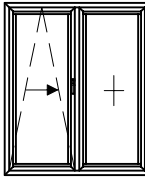

0,158 kg/mt



**CAM KALINLIĞINA GÖRE CAM ÇİTASI SEÇİM TABLOSU**  
Glazing Bead Selection Table according to the Glass Thickness

CAM KALINLIĞI Glass Thickness (mm)	CAM ÇİTASI Glazing Bead	İÇ CAM FİTİLİ Glass Gasket (IN)	DIŞ CAM FİTİLİ Glass Gasket (OUT)
4	11-044	EP2-03	EP1-01
5	11-044	EP2-02	EP1-01
6	11-044	EP1-01	EP1-01
10	11-038	EP2-03	EP1-01
11	11-038	EP2-02	EP1-01
12	11-038	EP2-01	EP1-01
13	11-035	EP2-03	EP1-01
14	11-035	EP2-02	EP1-01
15	11-035	EP2-01	EP1-01
16	11-032	EP2-03	EP1-01
17	11-032	EP2-02	EP1-01
18	11-032	EP2-01	EP1-01
19	11-030	EP2-02	EP1-01
20	11-030	EP2-01	EP1-01
21	11-028	EP2-02	EP1-01
22	11-028	EP2-01	EP1-01
23	11-026	EP2-02	EP1-01
24	11-026	EP2-01	EP1-01
26	11-022	EP2-03	EP1-01
27	11-022	EP2-02	EP1-01
28	11-022	EP2-01	EP1-01
29	11-020	EP2-02	EP1-01
30	11-020	EP2-01	EP1-01
31	11-017	EP2-03	EP1-01
32	11-017	EP2-02	EP1-01
33	11-017	EP2-01	EP1-01
34	11-015	EP2-02	EP1-01
35	11-015	EP2-01	EP1-01
38	11-010	EP2-03	EP1-01
39	11-010	EP2-02	EP1-01
40	11-010	EP2-01	EP1-01
42	11-006	EP2-03	EP1-01
43	11-006	EP2-02	EP1-01
44	11-006	EP2-01	EP1-01
45	11-004	EP2-03	EP1-01
46	11-004	EP2-02	EP1-01

**AÇILIM TİPLERİ - OPENING TYPES**

			<b>TEK KANAT İÇE AÇILIR KAPI</b> <i>SINGLE INNER OPENING DOOR</i>
	<b>TEK AÇILIR KANAT</b> <i>SINGLE OPENING SASH</i>		<b>ÇİFT KANAT İÇE AÇILIR KAPI</b> <i>DOUBLE INNER OPENING DOOR</i>
	<b>TEK KANAT ÇİFT EKSEN AÇILIM KANAT</b> <i>SINGLE TILT-TURN OPENING SASH</i>		<b>TEK KANAT DIŞA AÇILIR KAPI</b> <i>SINGLE OUTER OPENING DOOR</i>
	<b>ÇİFT AÇILIR KANAT</b> <i>DOUBLE OPENING SASH</i>		<b>ÇİFT KANAT DIŞA AÇILIR KAPI</b> <i>DOUBLE OUTER OPENING DOOR</i>
	<b>ÇİFT EKSEN AÇILIM ÇİFT KANAT</b> <i>DOUBLE TILT-TURN OPENING SASH</i>		<b>KATLANIR KAPI</b> <i>FOLDING DOOR</i>
	<b>PIVOT AÇILIR KANAT</b> <i>PIVOT OPENING SASH</i>		<b>PARALEL SÜRME KAPI</b> <i>PARALLEL SLIDING OPENING DOOR</i>
	<b>VASİSTAS AÇILIR KANAT</b> <i>VENT OPENING SASH</i>		

**TH62 - 1,8mm**

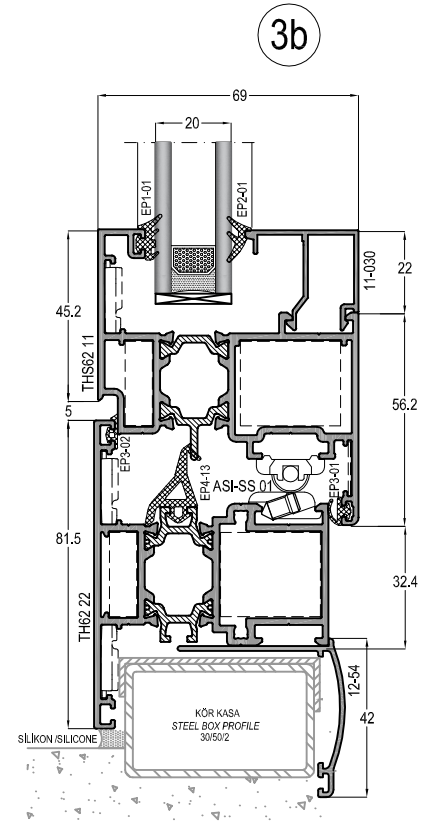
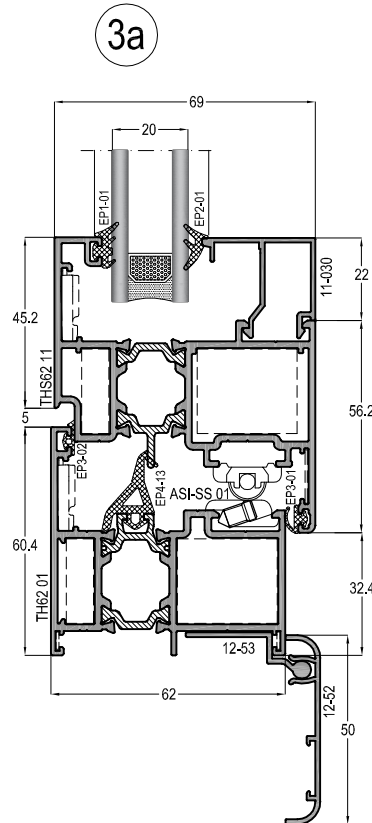
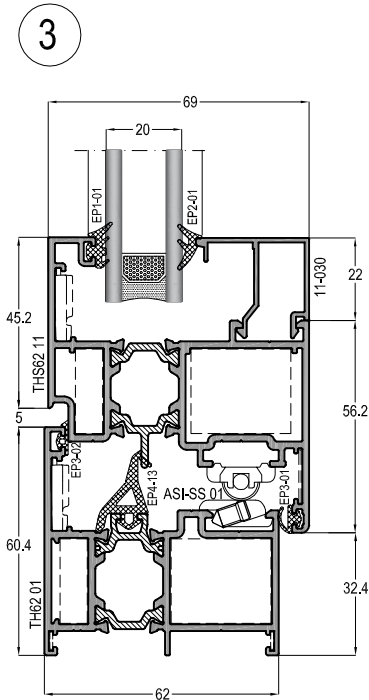
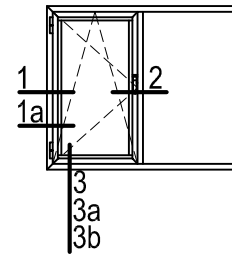
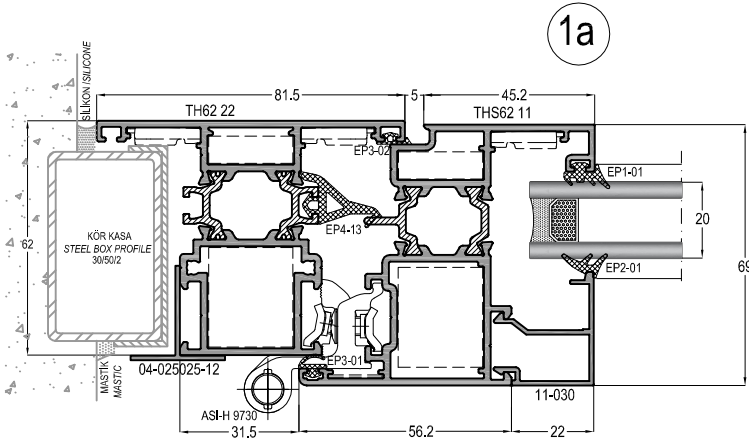
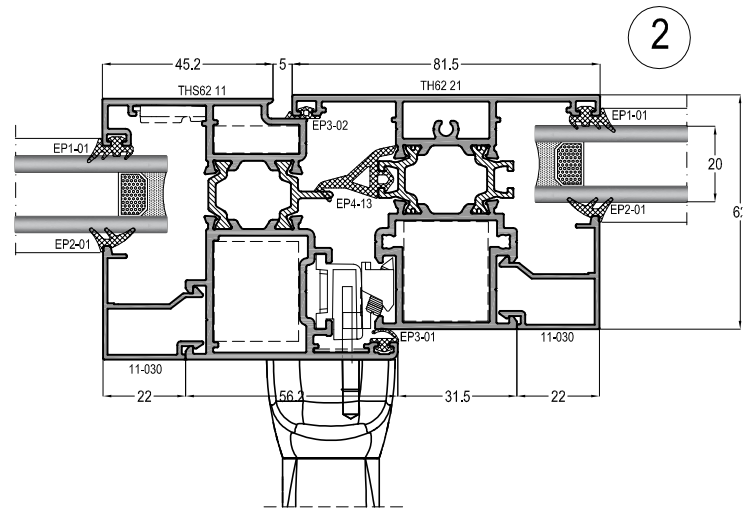
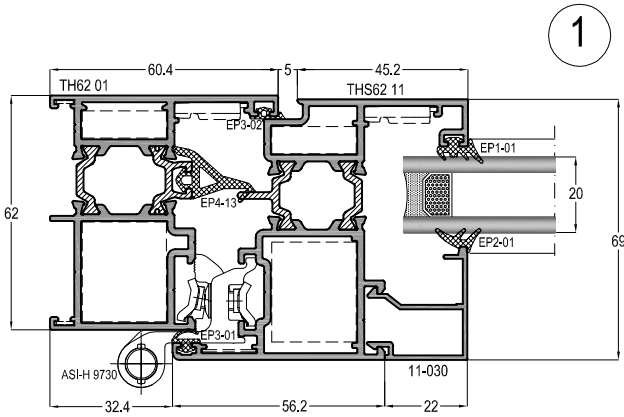
YALITIMLI KAPI-PENCERE SİSTEMİ  
THERMAL WINDOW&DOOR SYSTEM

**ASISTAL**

**THS SİSTEM DETAYLARI**  
*THS SYSTEM DETAILS*

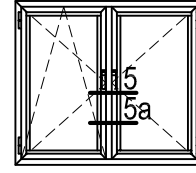
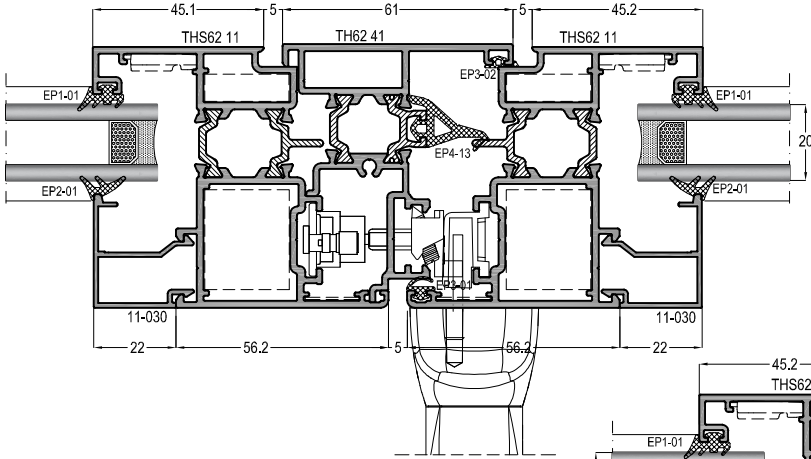


### PENCERE AÇILIM DETAYLARI WINDOW OPENING DETAILS

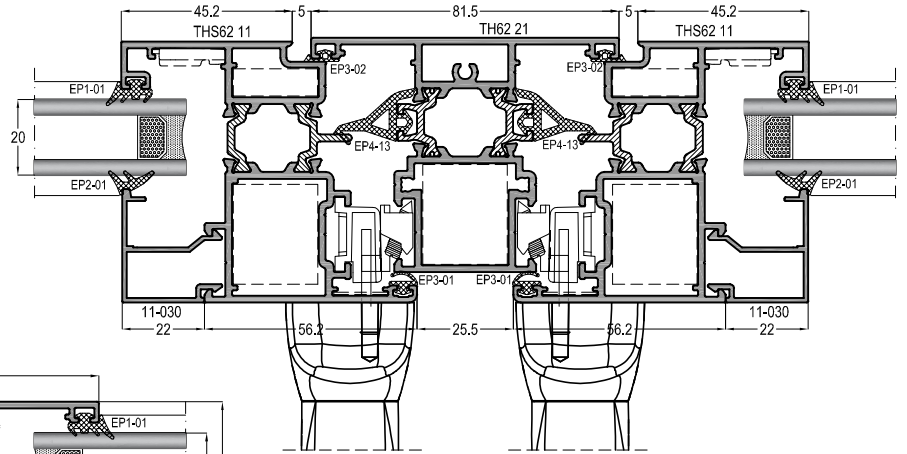


### PENCERE AÇILIM DETAYLARI WINDOW OPENING DETAILS

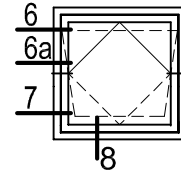
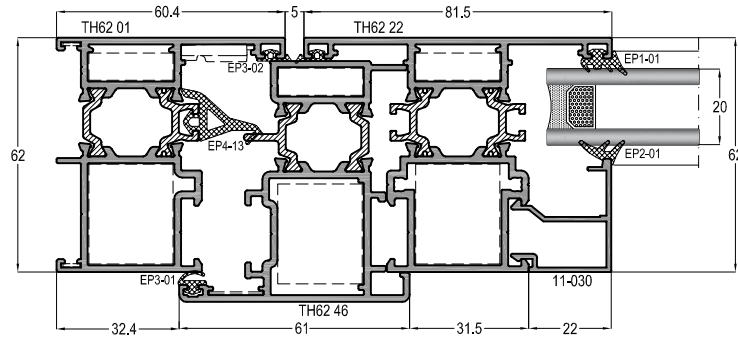
5



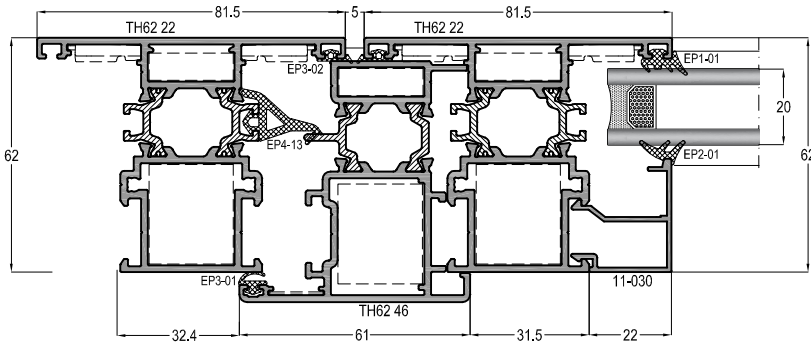
5a



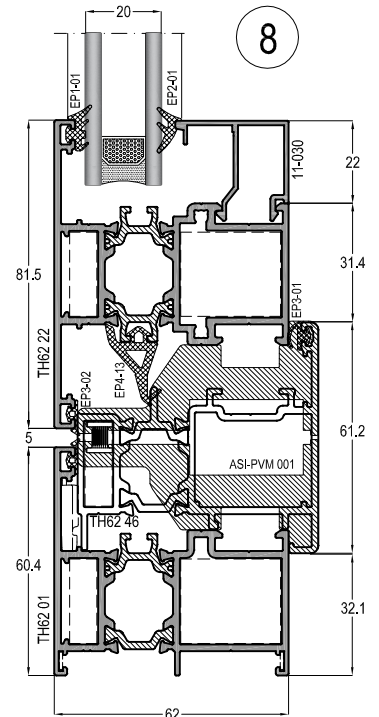
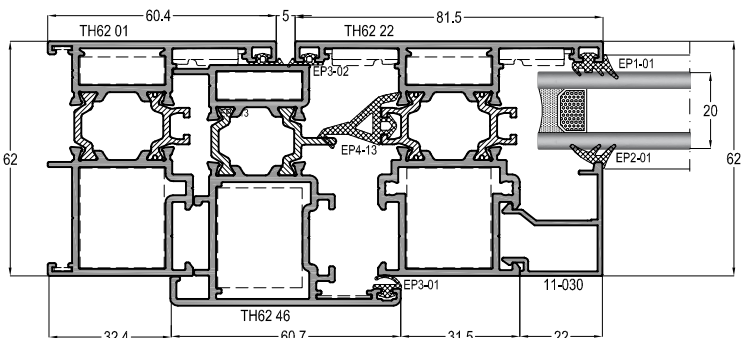
6



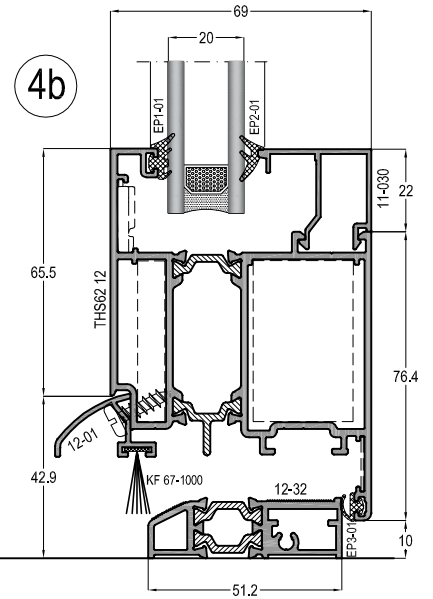
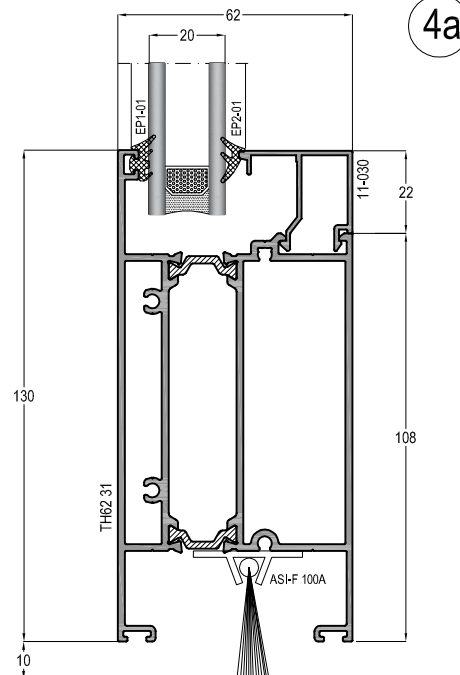
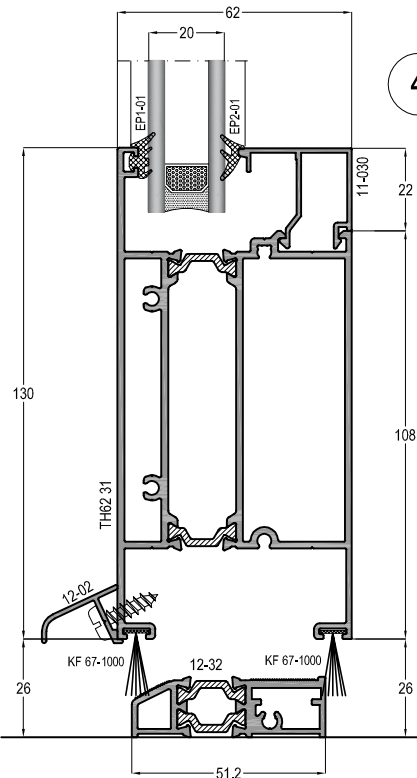
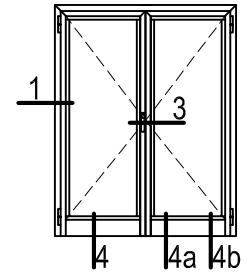
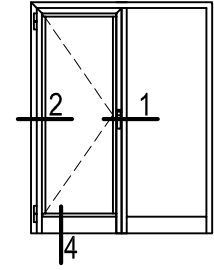
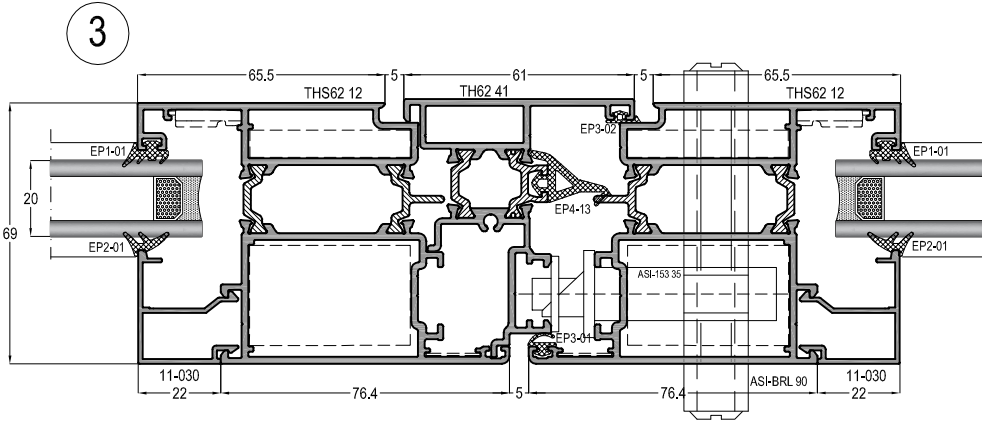
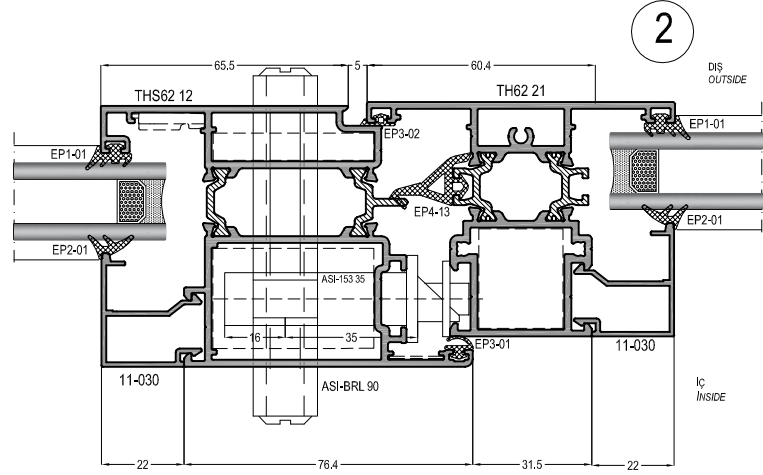
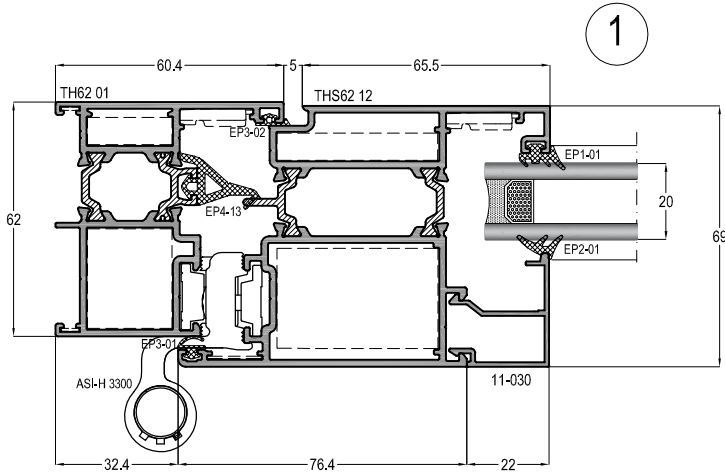
6a



7

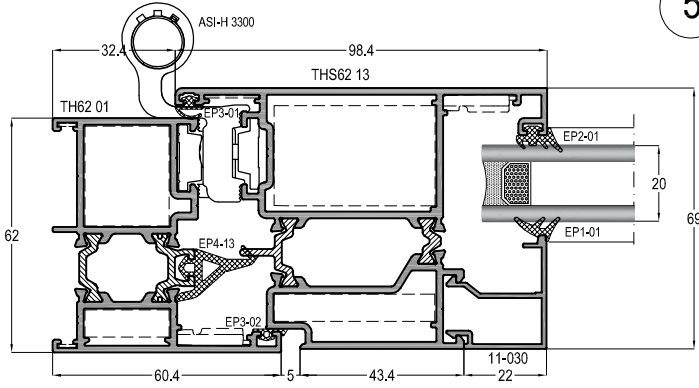


### İÇE AÇILIR KAPI DETAYLARI INNER OPENING DOOR DETAILS

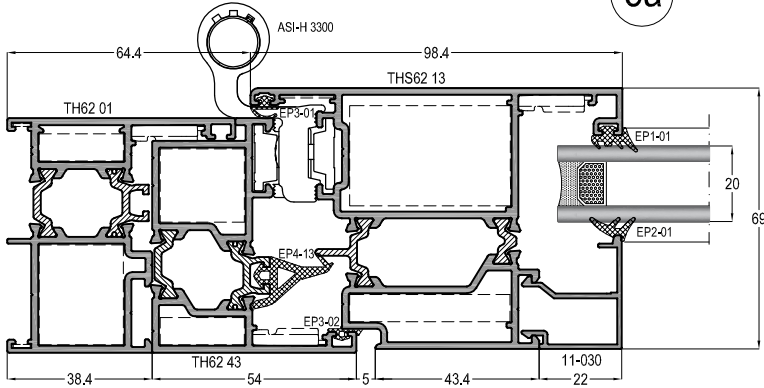


### DIŞA AÇILIR KAPI DETAYLARI OUTER OPENING DOOR DETAILS

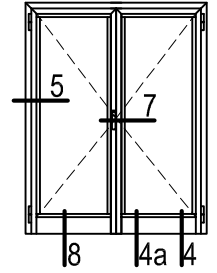
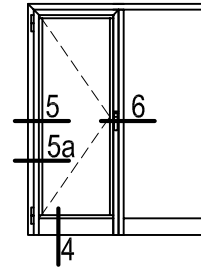
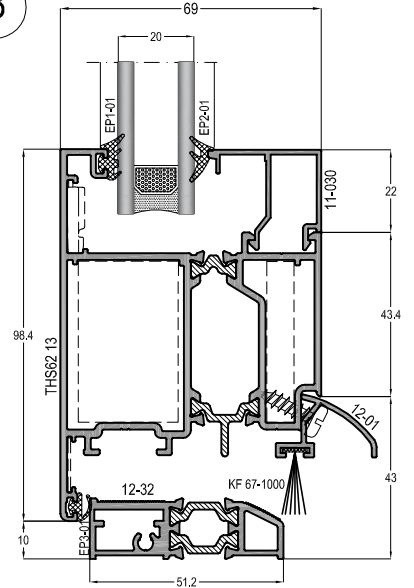
5



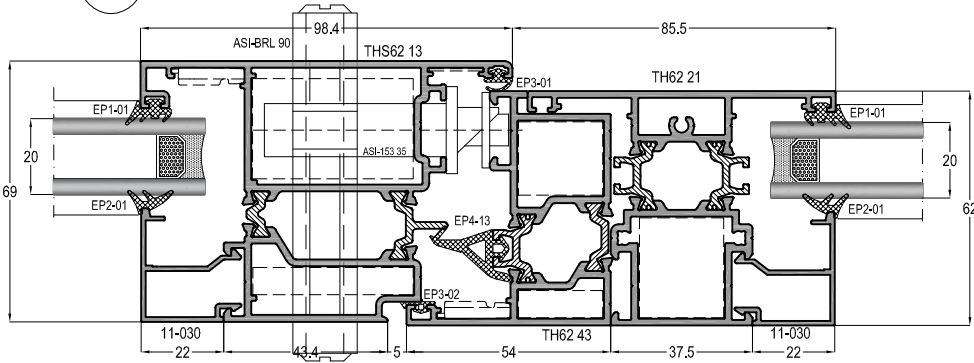
5a



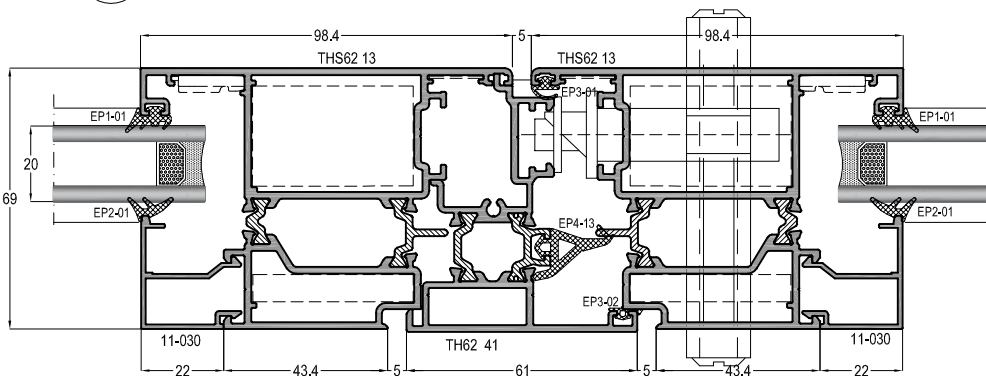
8



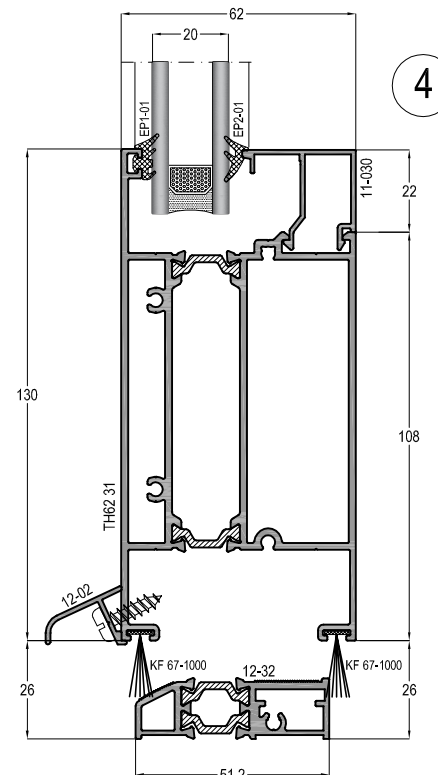
6



7

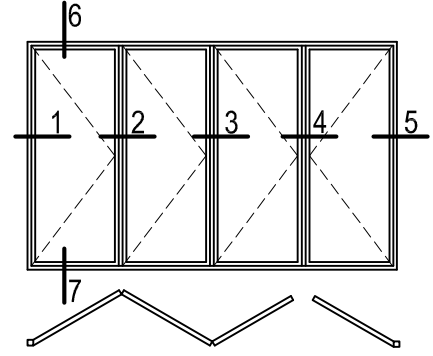
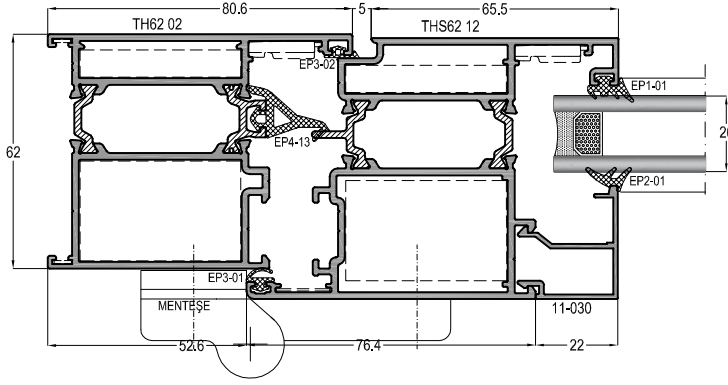


4

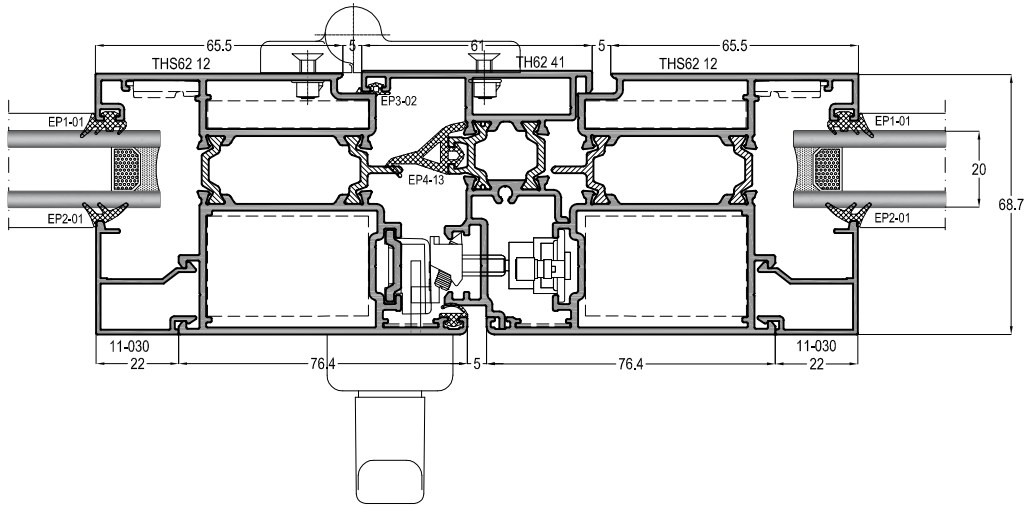


KATLANIR KAPI DETAYLARI  
FOLDING DOOR DETAILS

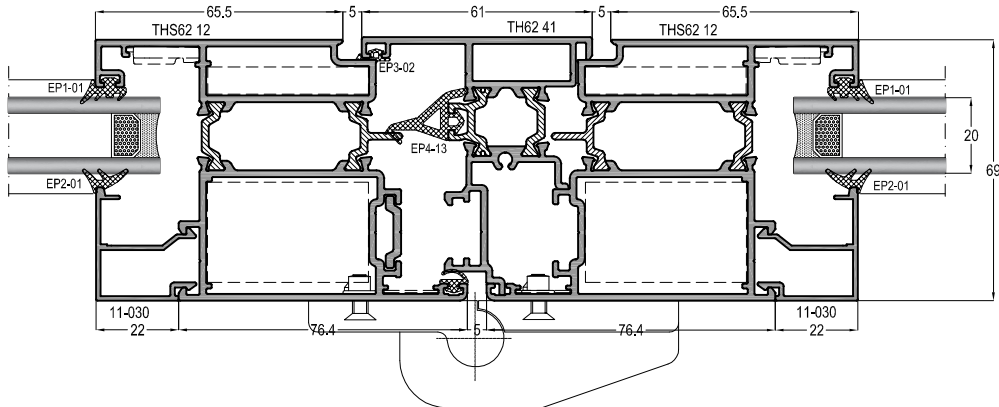
1



2

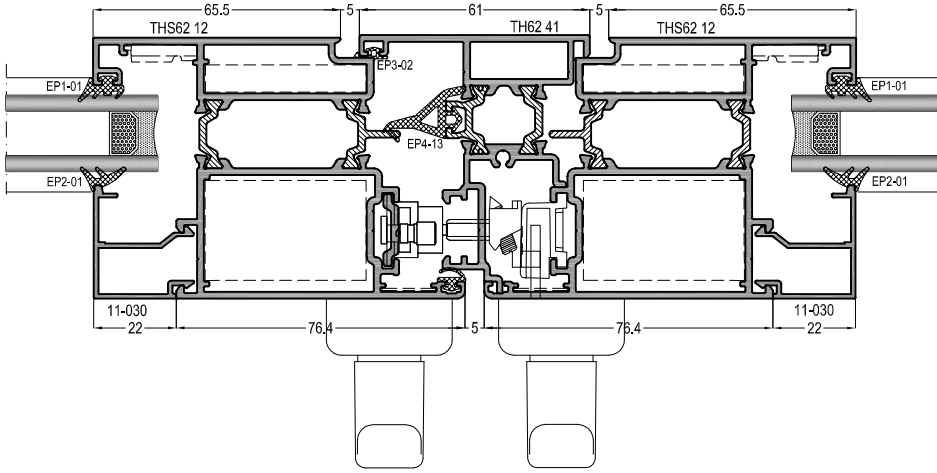


3

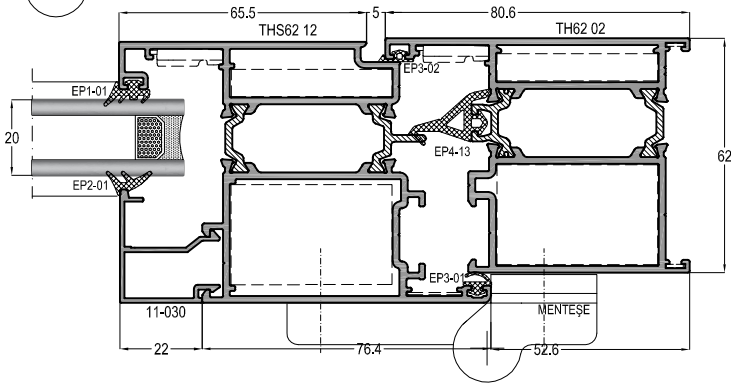


### KATLANIR KAPI DETAYLARI FOLDING DOOR DETAILS

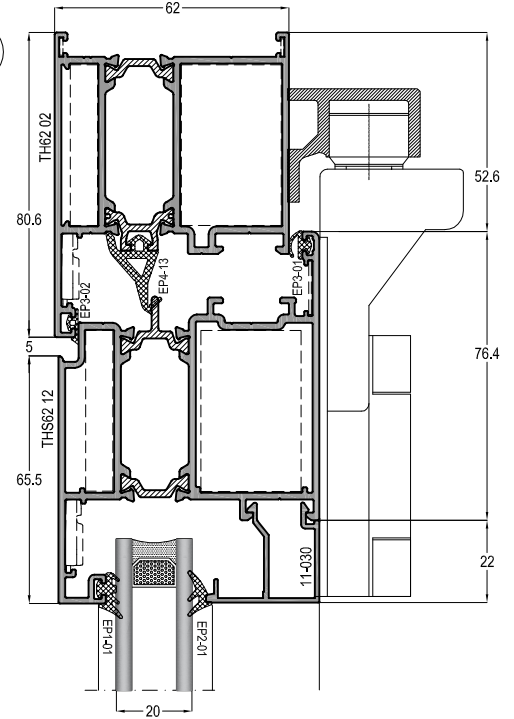
4



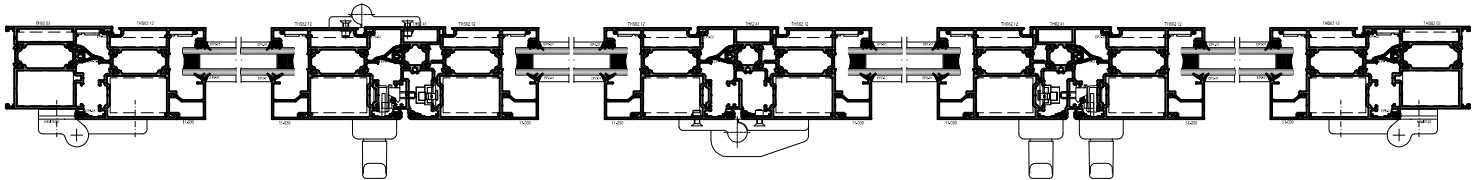
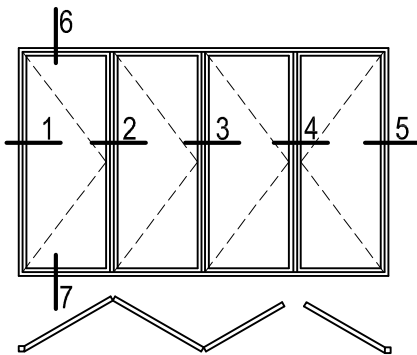
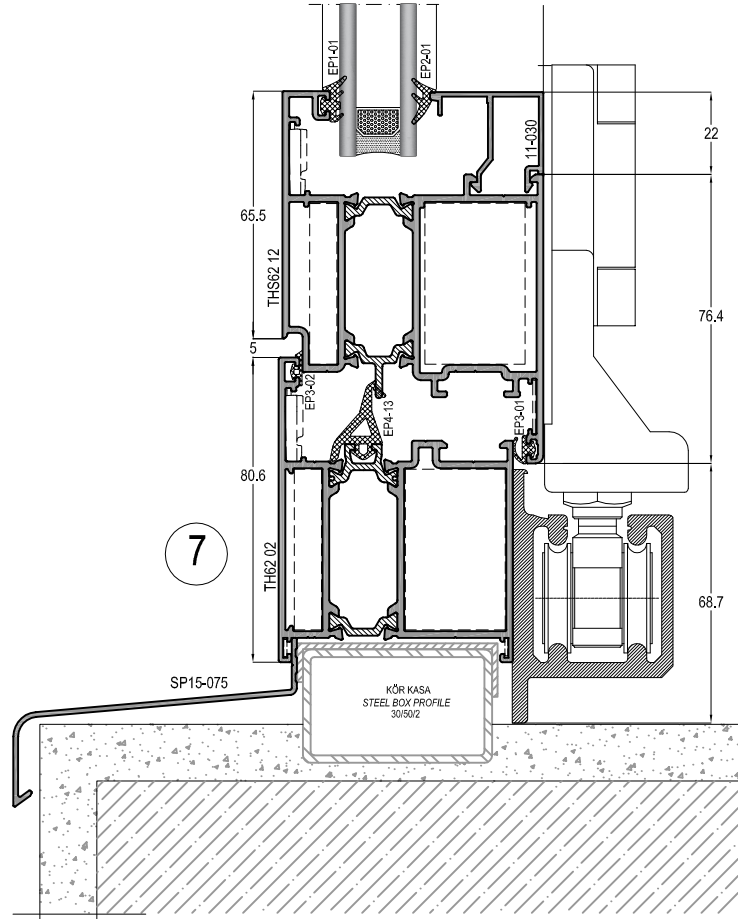
5



6



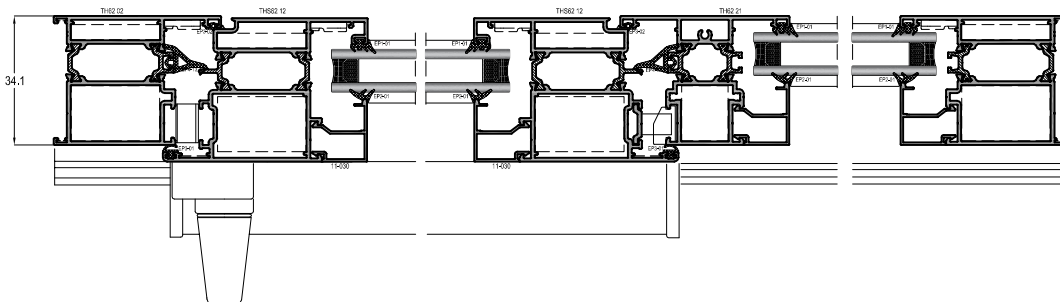
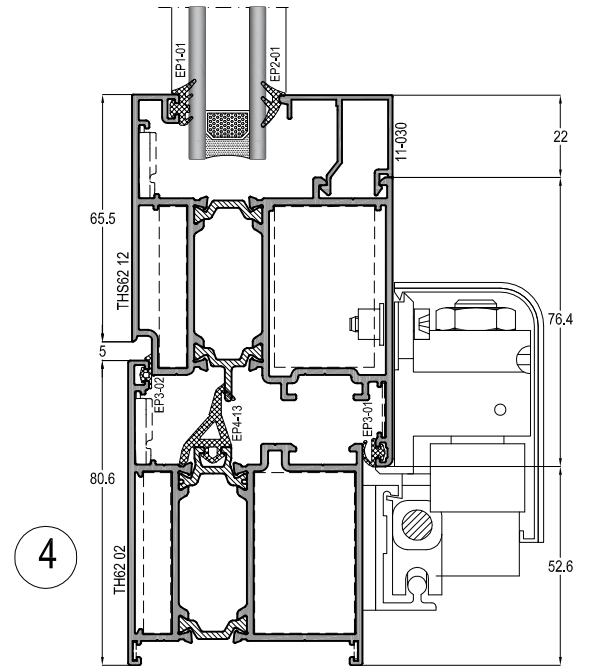
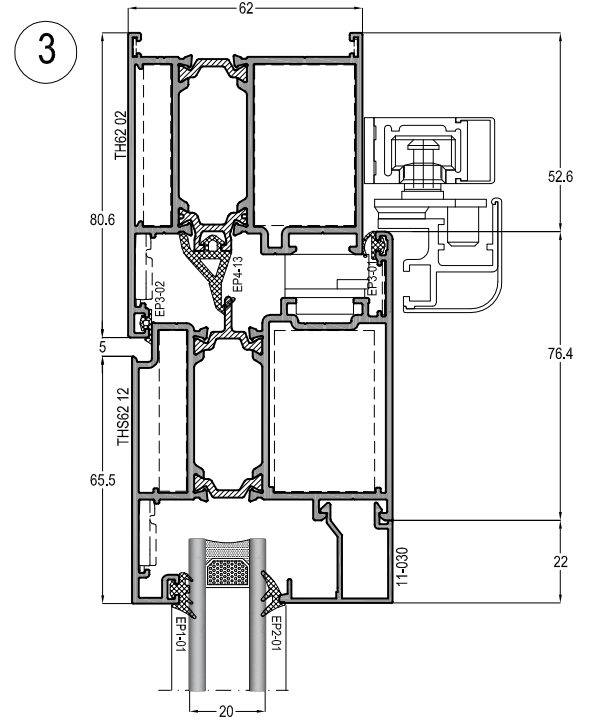
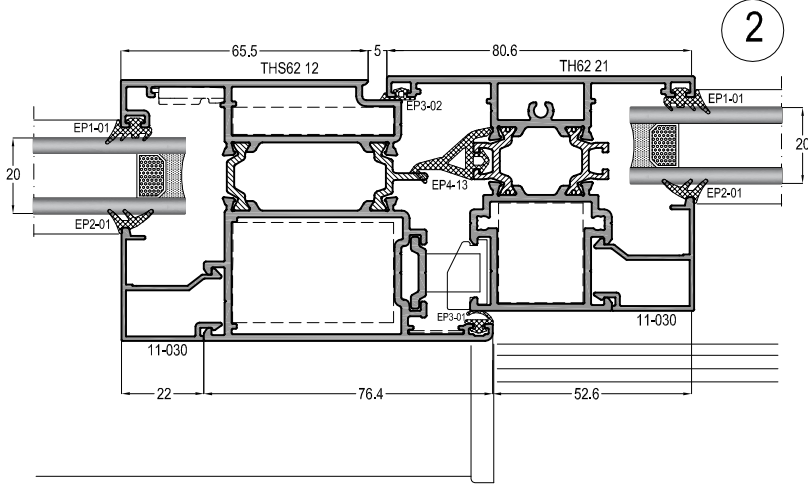
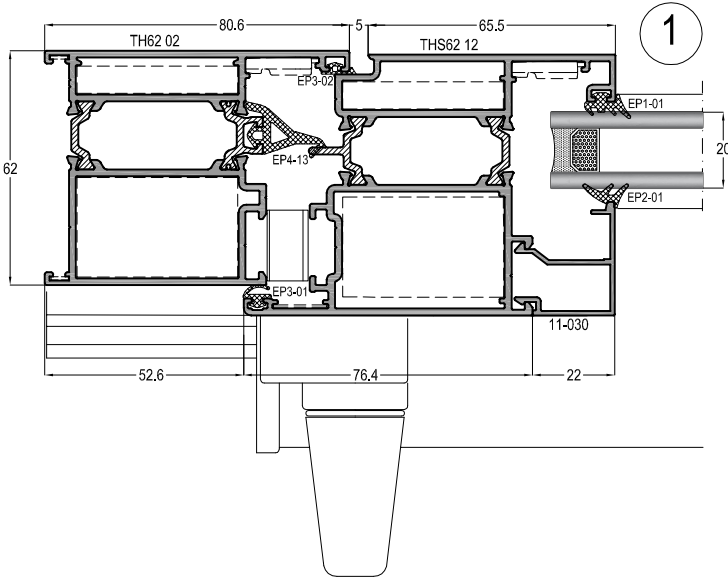
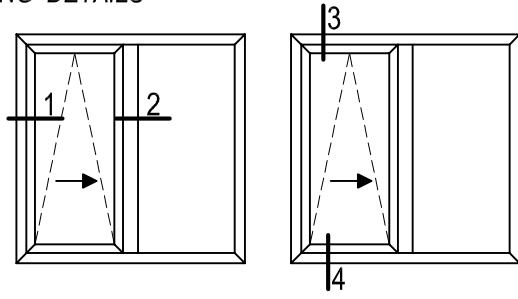
7





### PARALEL SÜRME DETAYLARI

### PARALLEL SLIDING DETAILS



**TH62 - 1,8mm**

YALITIMLI KAPI-PENCERE SİSTEMİ  
THERMAL WINDOW&DOOR SYSTEM

**ASISTAL**

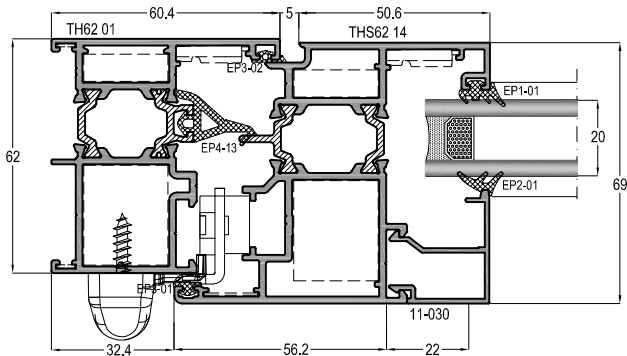
**ÇOK NOKTADAN KİLİTLEME THS SİSTEM DETAYLARI**  
**MULTI POINT LOCKING THS SYSTEM DETAILS**



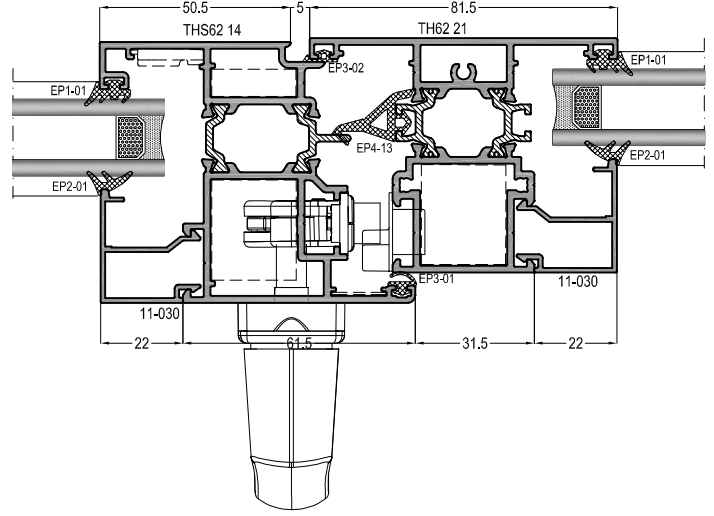
### PENCERE AÇILIM DETAYLARI

### WINDOW OPENING DETAILS

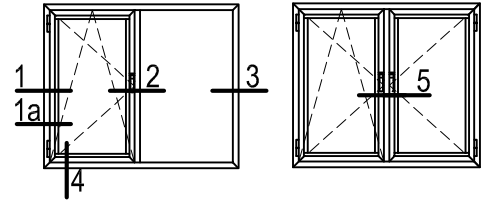
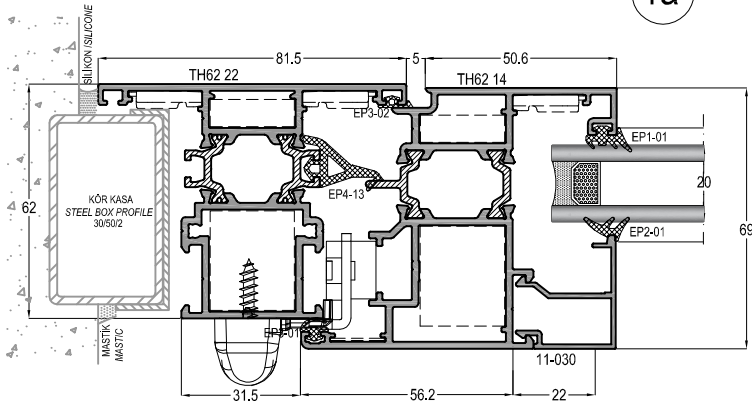
1



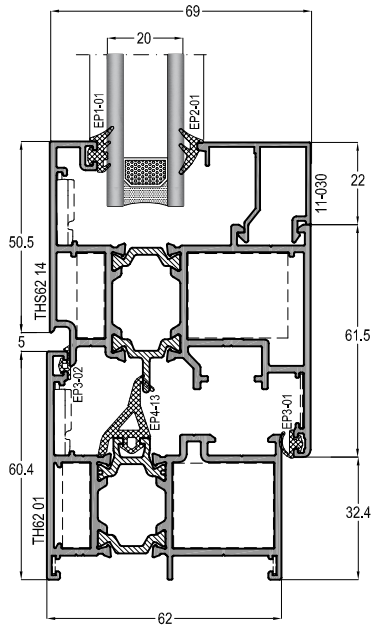
2



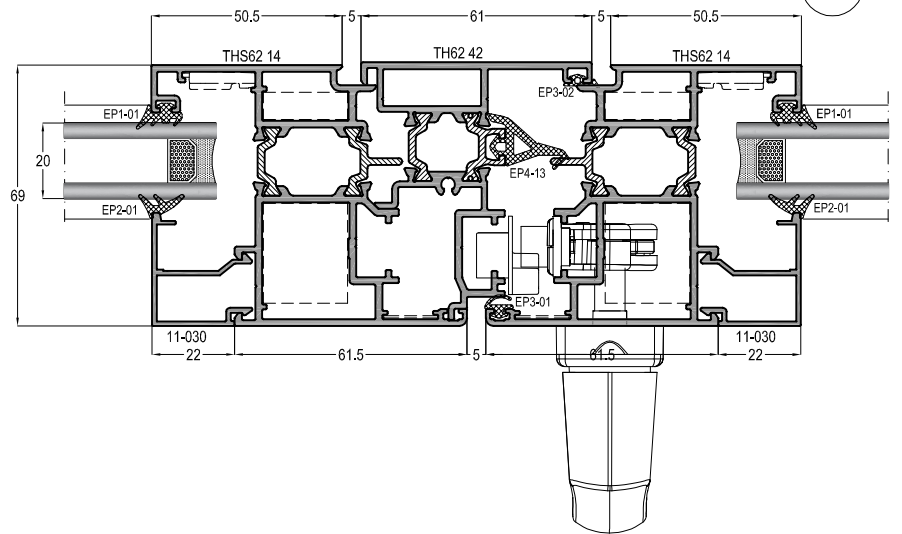
1a



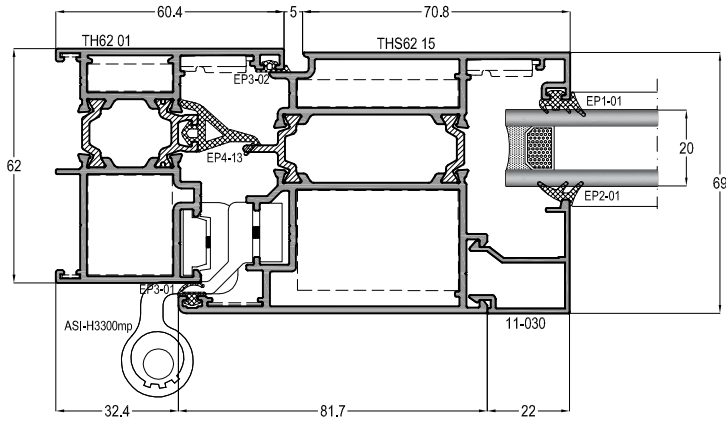
4



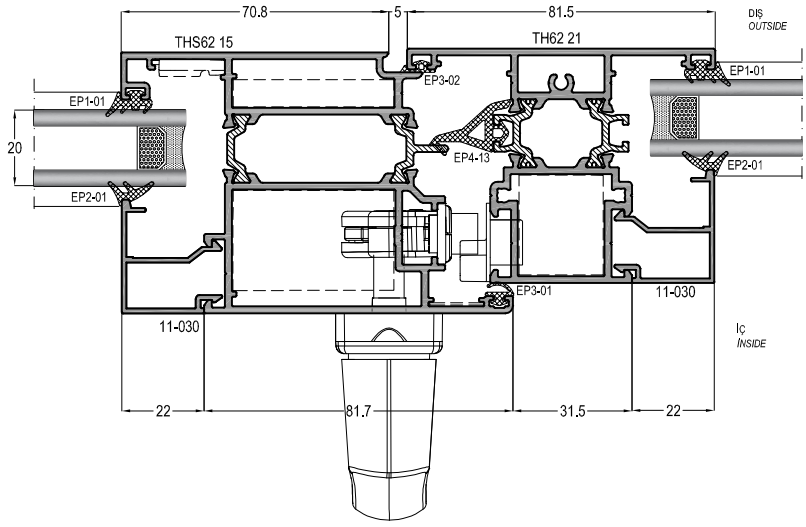
5



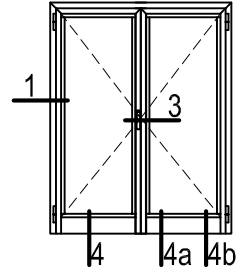
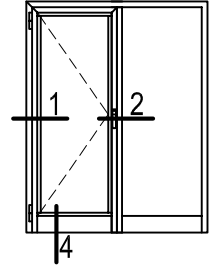
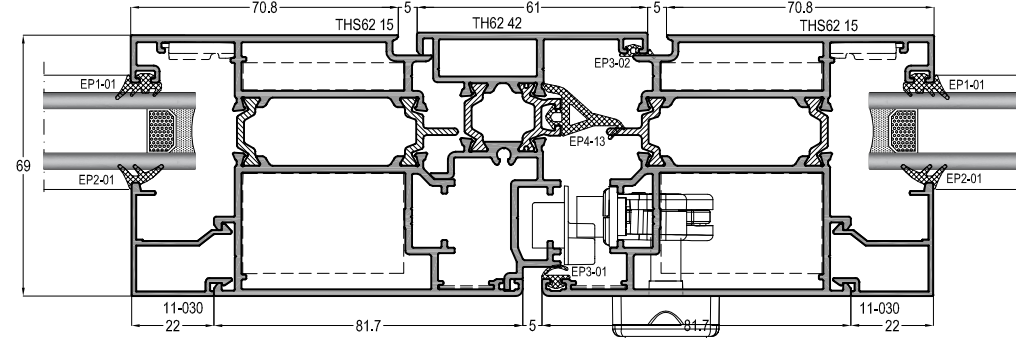
1



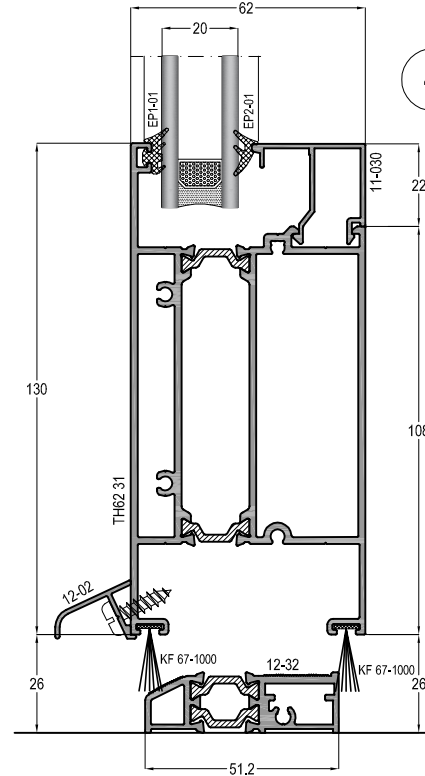
2



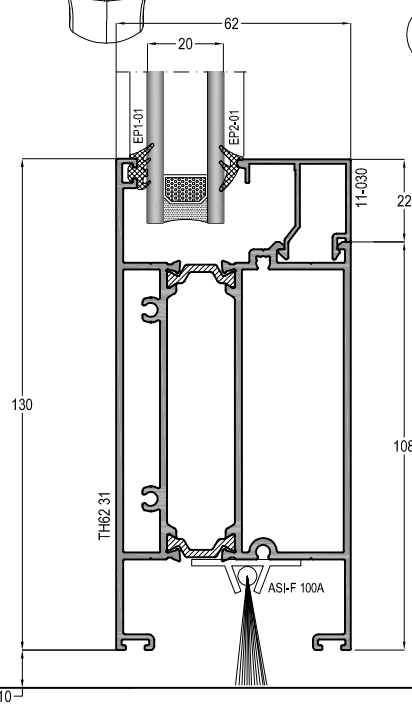
3



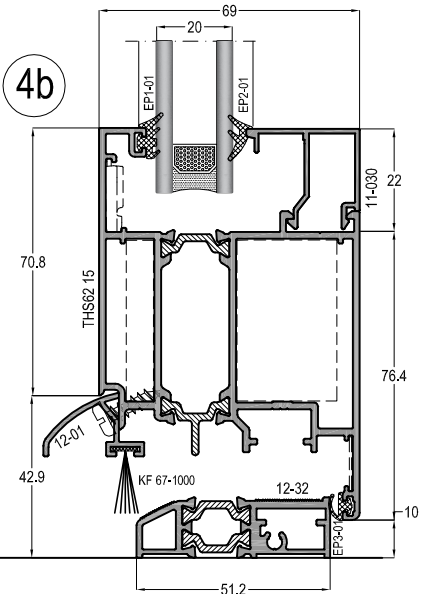
4



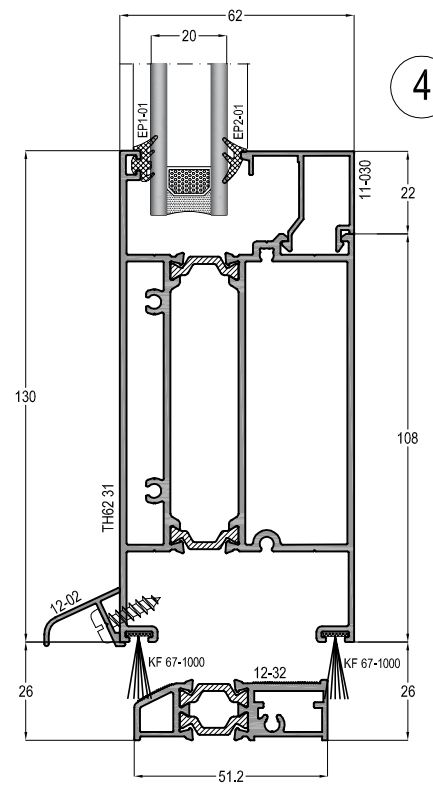
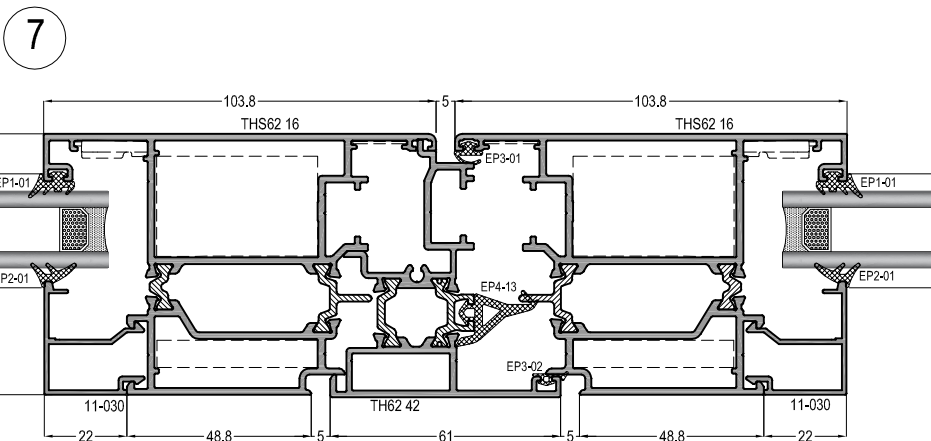
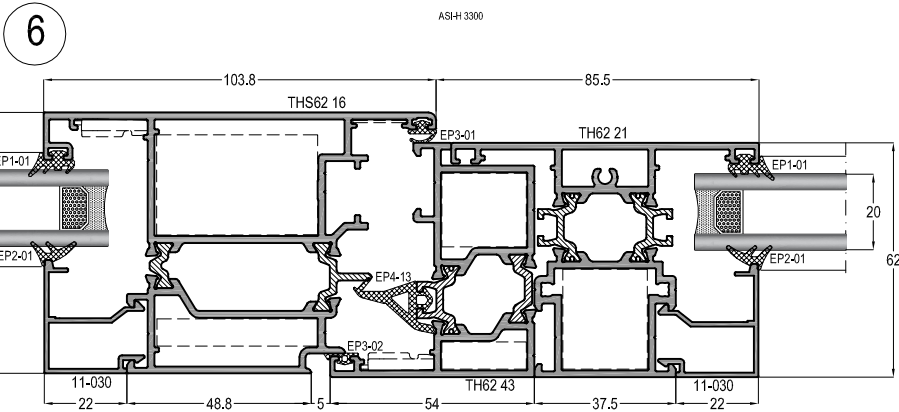
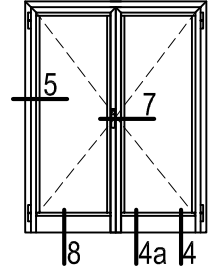
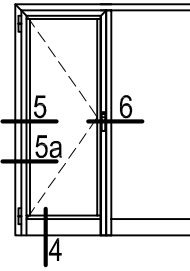
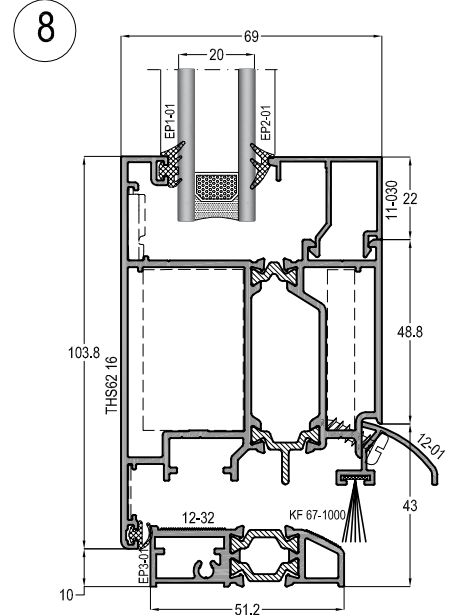
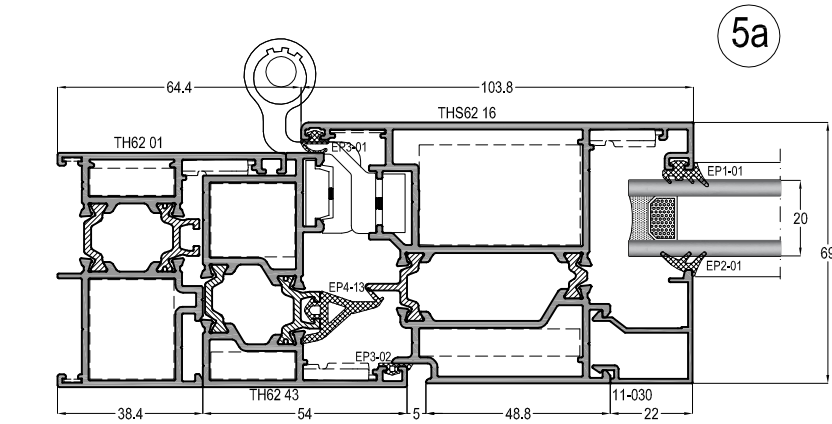
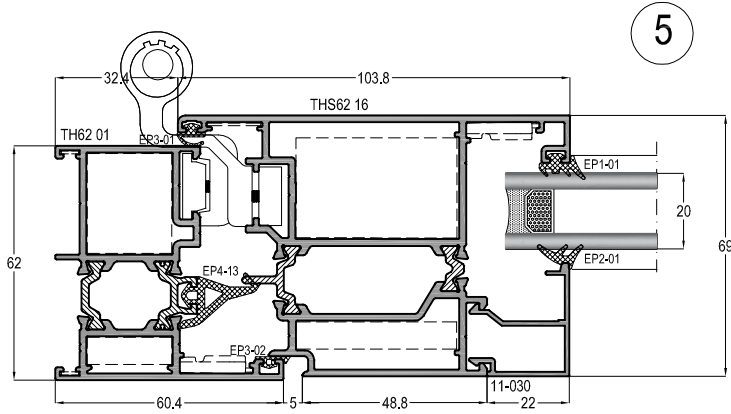
4a



4b



### DIŞA AÇILIR KAPI DETAYLARI OUTER OPENING DOOR DETAILS



**TH62 - 1,8mm**

YALITIMLI KAPI-PENCERE SİSTEMİ  
THERMAL WINDOW&DOOR SYSTEM

**ASISTAL**

**KESİM ve MONTAJ**  
**CUTTING & ASSEMBLY**

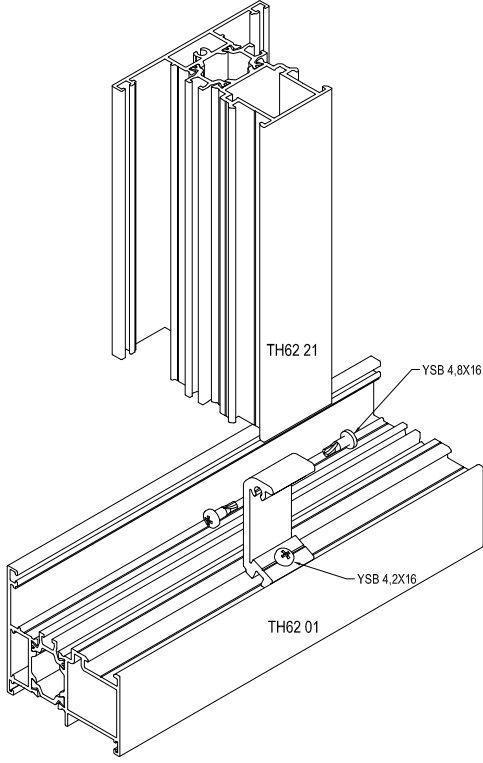
# TH62 - 1,8mm

YALITIMLI KAPI-PENCERE SİSTEMİ  
THERMAL WINDOW&DOOR SYSTEM

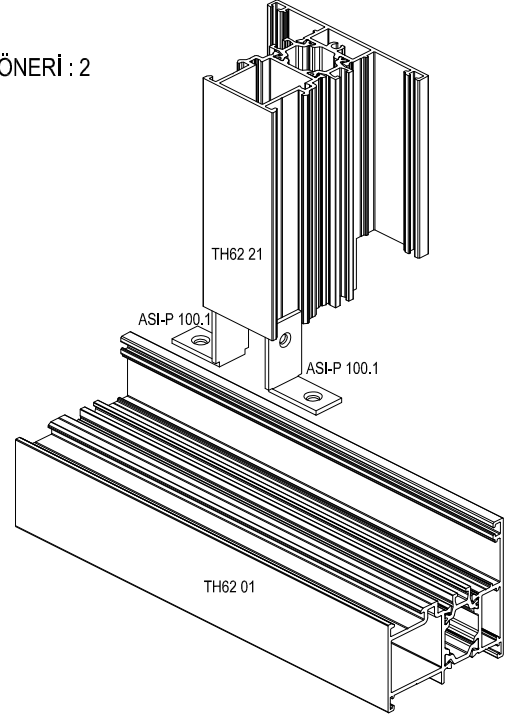
## ASISTAL

### DİK (ORTA KAYIT) BAĞLANTI DETAYLARI T JOINT DETAILS

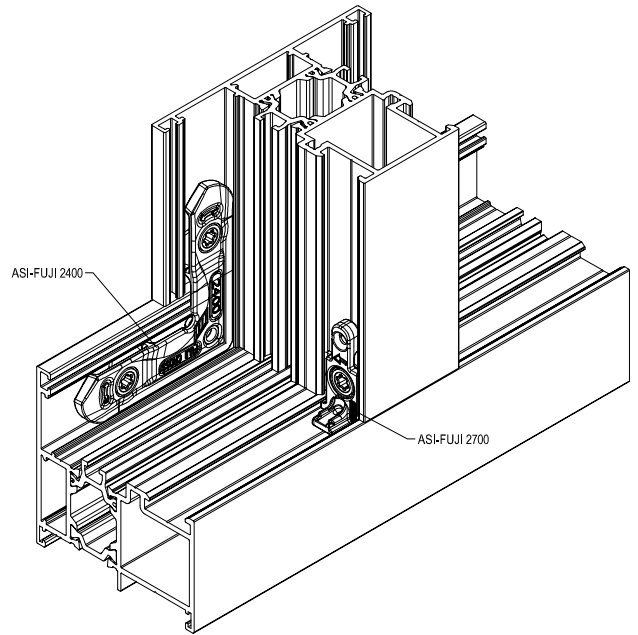
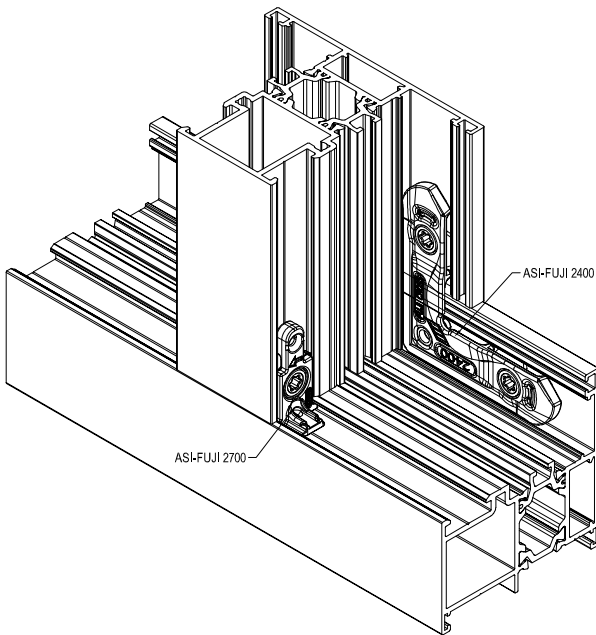
ÖNERİ : 1



ÖNERİ : 2

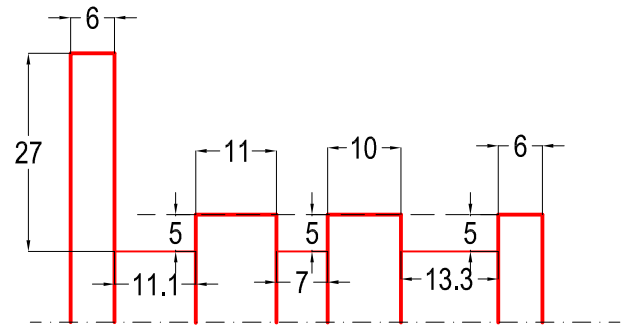
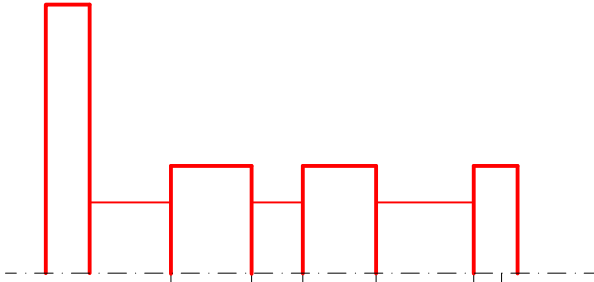
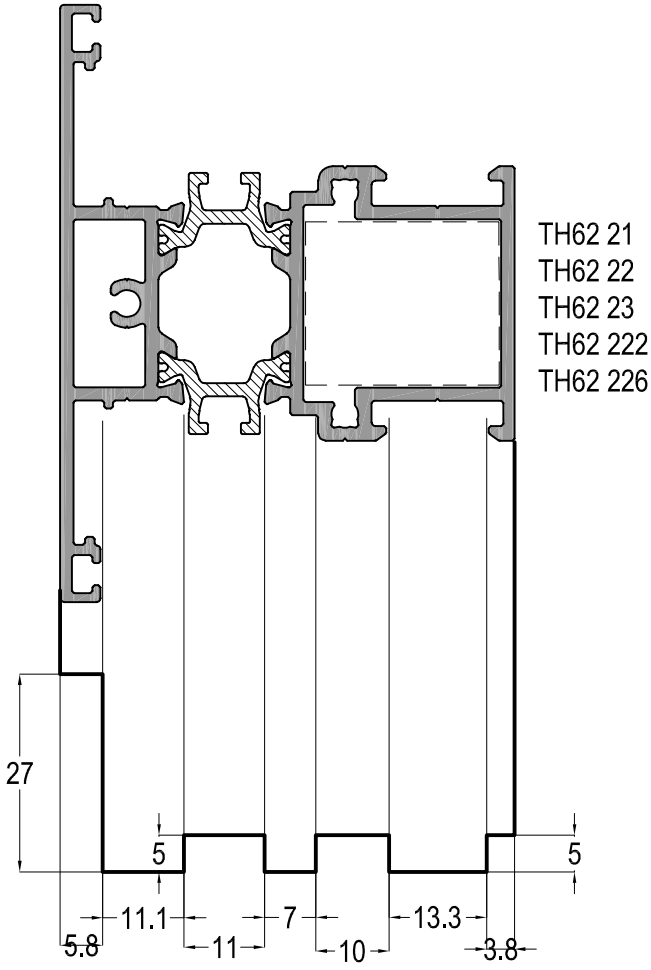


ÖNERİ : 3

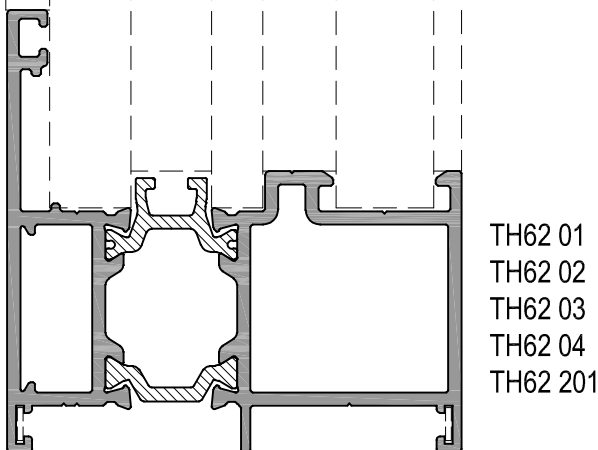


# TH62 - 1,8mm

YALITIMLI KAPI-PENCERE SİSTEMİ  
THERMAL WINDOW&DOOR SYSTEM



AKSU BIÇAK firmasına göre ölçülandırılmıştır.  
Dimensions are given AKSU BIÇAK company  
[www.aksubicak.com.tr](http://www.aksubicak.com.tr)

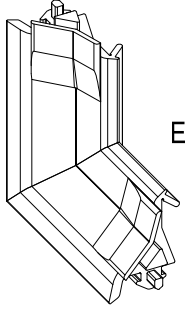


# TH62 - 1,8mm

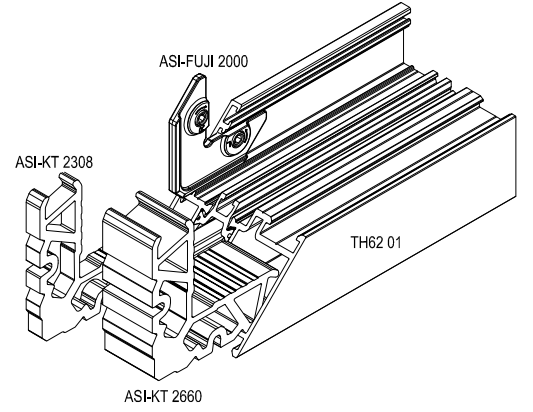
YALITIMLI KAPI-PENCERE SİSTEMİ  
THERMAL WINDOW&DOOR SYSTEM

**ASISTAL**

## KÖŞE VULKANİZE FİTİL MONTAJI



EP4-13K



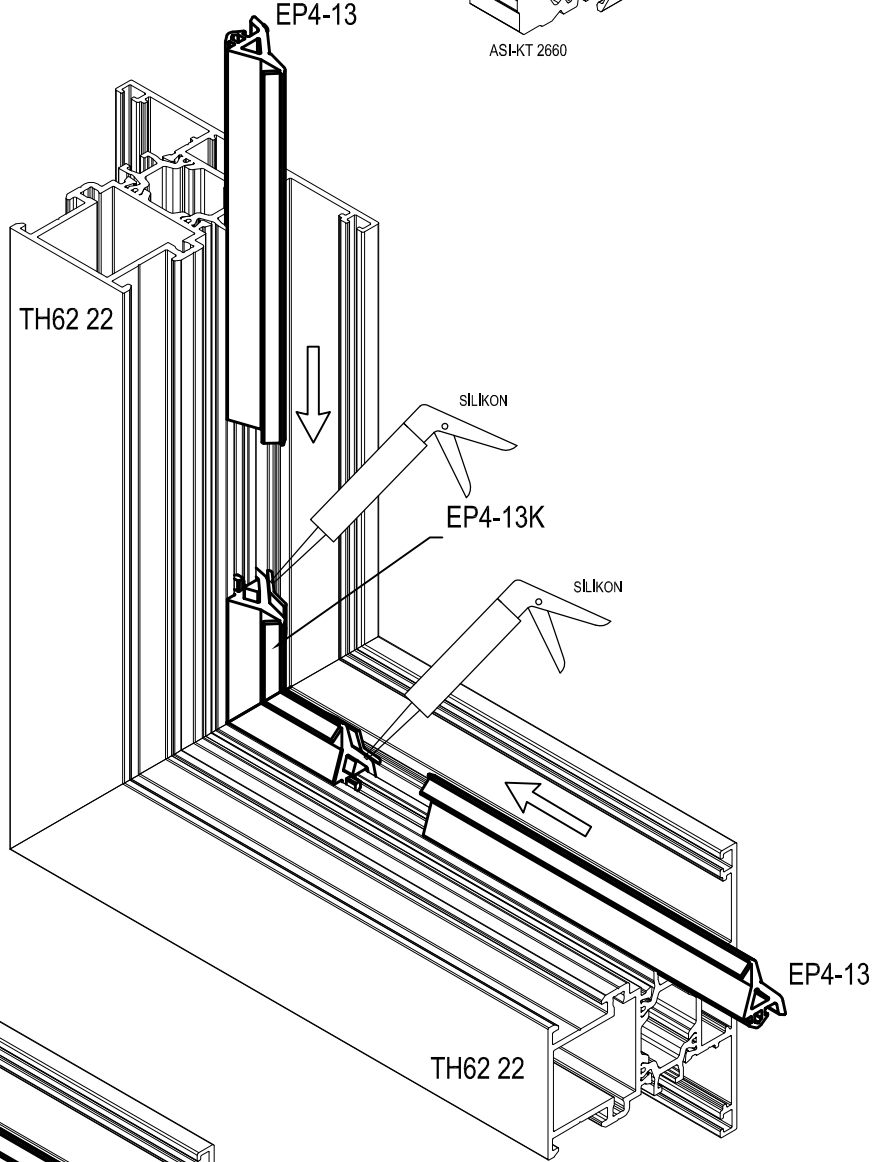
ASI-FUJI 2000

ASI-KT 2308

TH62 01

ASI-KT 2660

EP4-13



TH62 22

SILKON

EP4-13K

SILKON

EP4-13

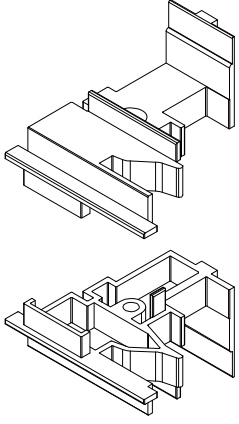
TH62 22

TH62 22

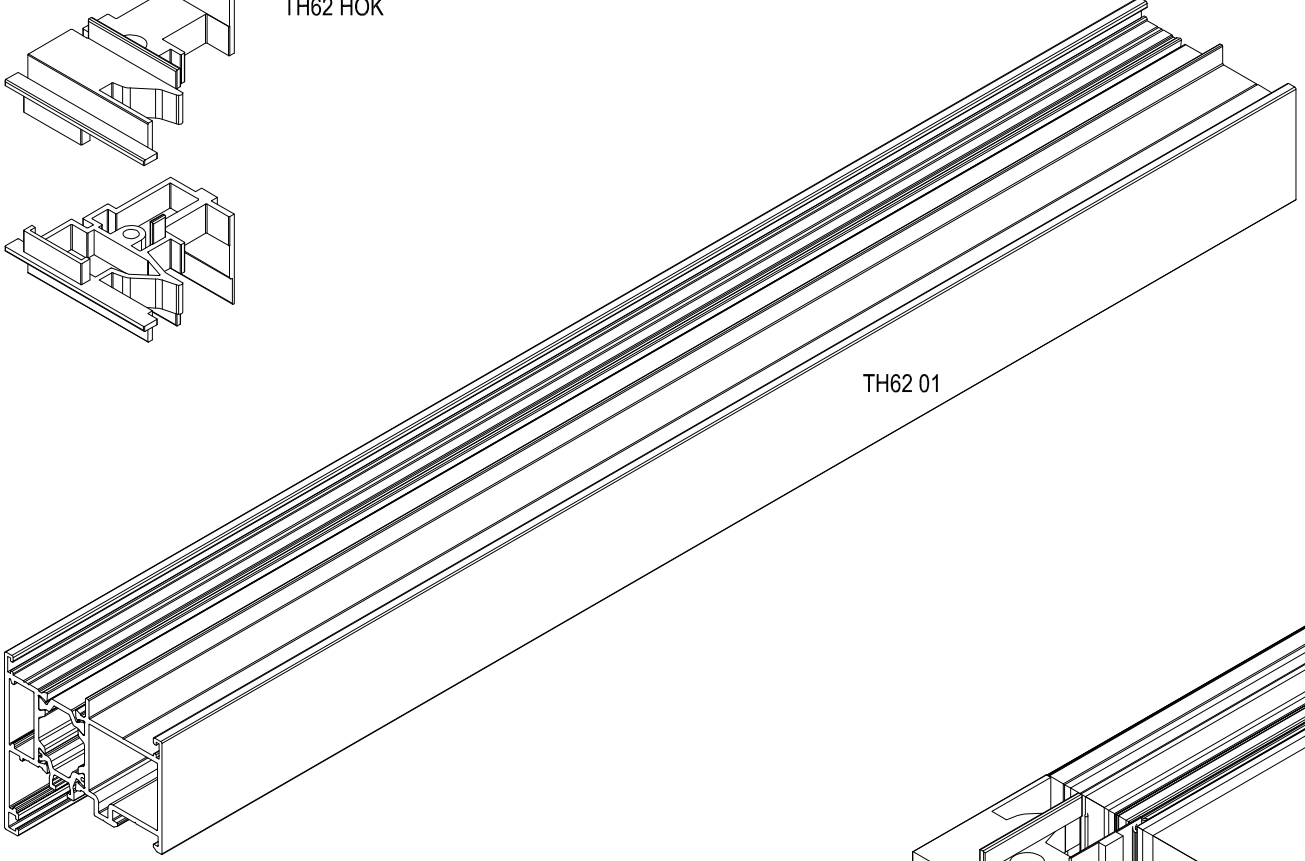
TH62 22

# TH62 - 1,8mm

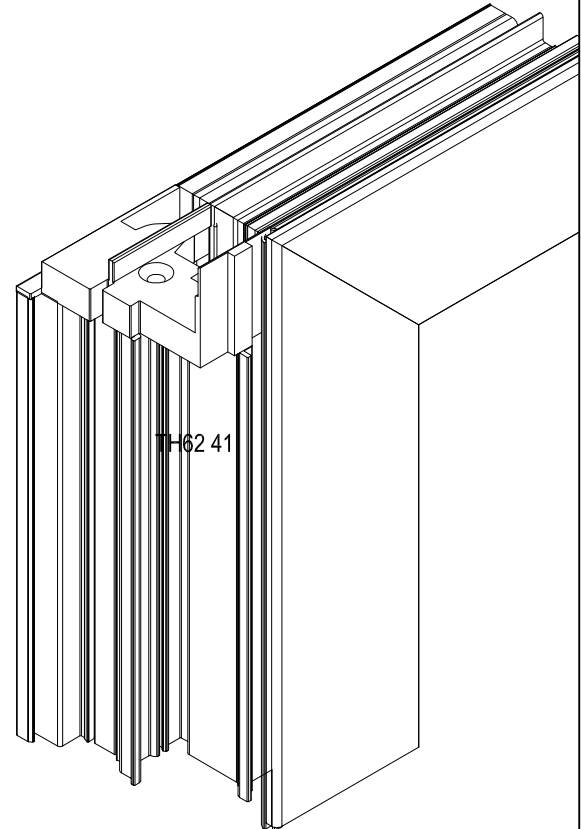
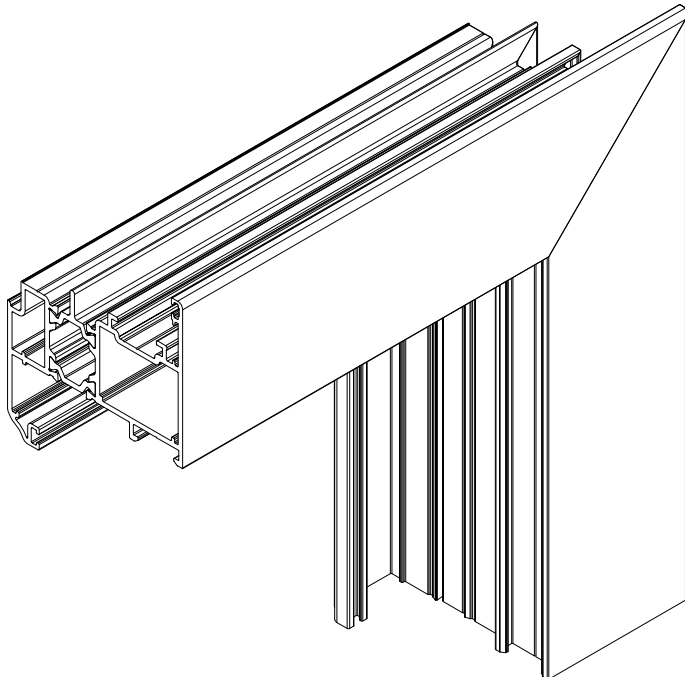
YALITIMLI KAPI-PENCERE SİSTEMİ  
THERMAL WINDOW&DOOR SYSTEM



TH62 HOK



TH62 01



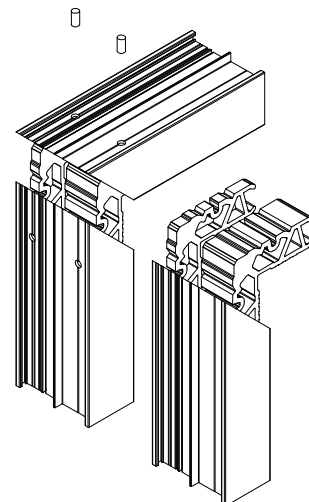
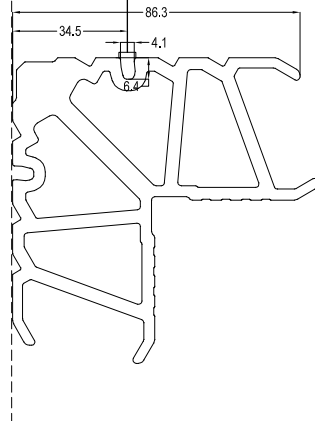
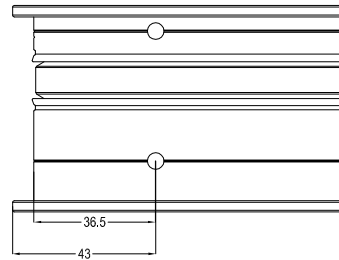
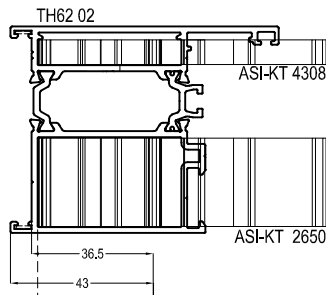
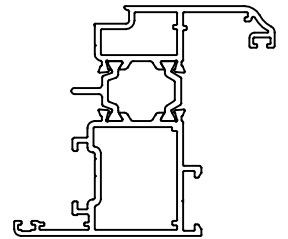
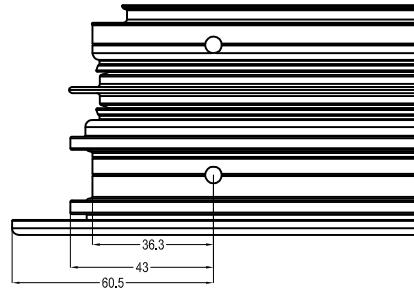
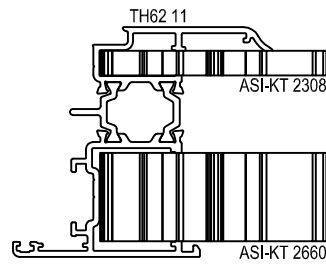
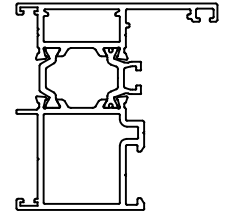
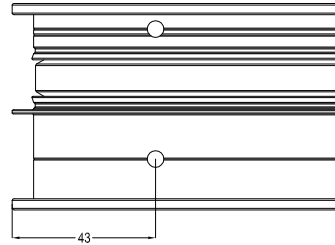
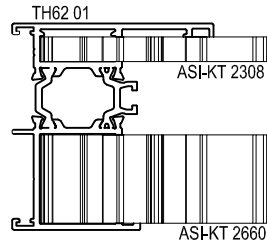
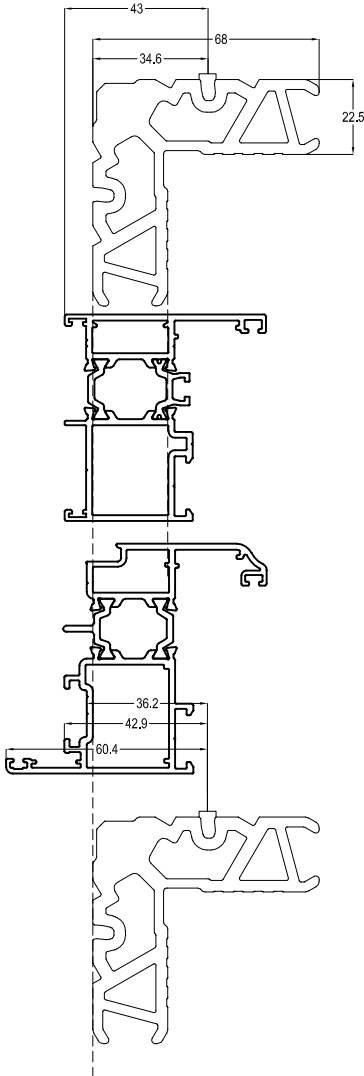
TH62 41

TH62 41 (H) = KANAT YÜKSEKLİĞİ - 69mm



# TH62 - 1,8mm

YALITIMLI KAPI-PENCERE SİSTEMİ  
THERMAL WINDOW&DOOR SYSTEM



# TH62 - 1,8mm

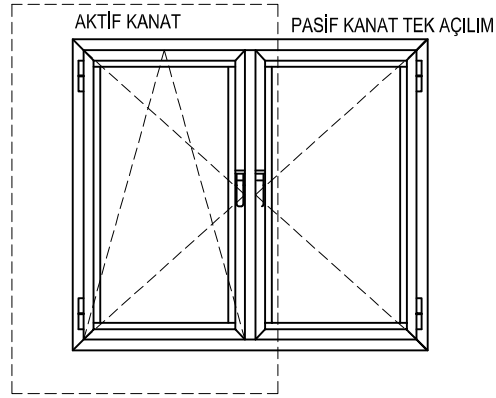
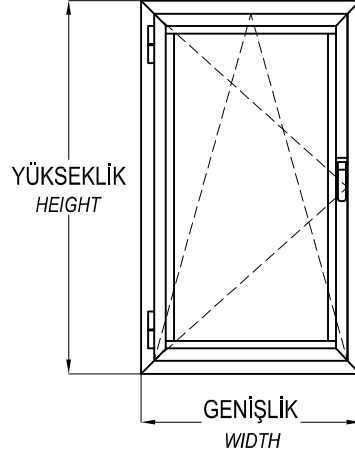
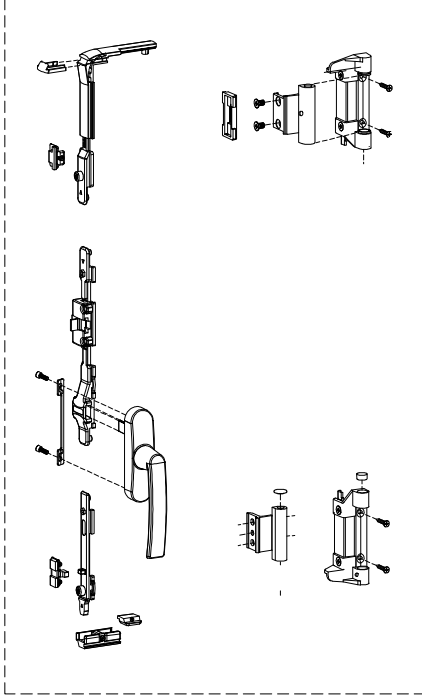
YALITIMLI KAPI-PENCERE SİSTEMİ  
THERMAL WINDOW&DOOR SYSTEM

## ASISTAL

### LAVAAL ÇİFT EKSEN AÇILIM AKSESUAR KULLANIM TABLOSU ALU - ALU TT

LAVAAL TILT&TURN OPENING ACCESSORIES TABLE

#### STANDART KİT / ASI-LTT-S01



kanat eni	ASI-LTT-S01	ASI-LTT-M01	ASI-LTT-M02	ASI-LTT-M03	ASI-LTT-M04	ASI-LTT-B01
KANAT GENİŞLİK / Sash Widht : 345-400mm	X	X				
KANAT GENİŞLİK / Sash Widht : 401-540mm	X		X			
KANAT GENİŞLİK / Sash Widht : 541-1100mm	X			X		
KANAT GENİŞLİK / Sash Widht : 1100-1500mm	X			X	X	
KANAT YÜKSEKLİK / Sash Height : < 1400mm						X

# TH62 - 1,8mm

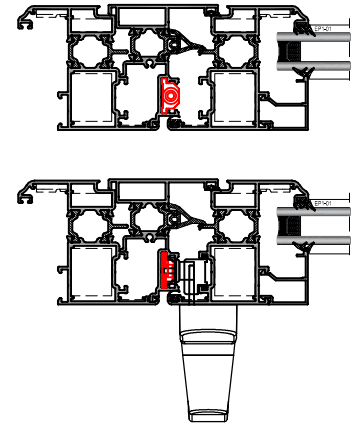
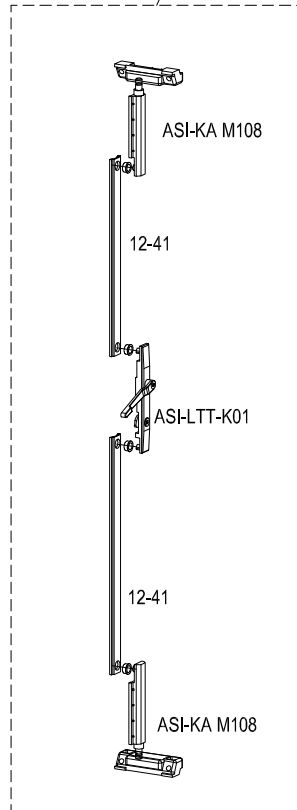
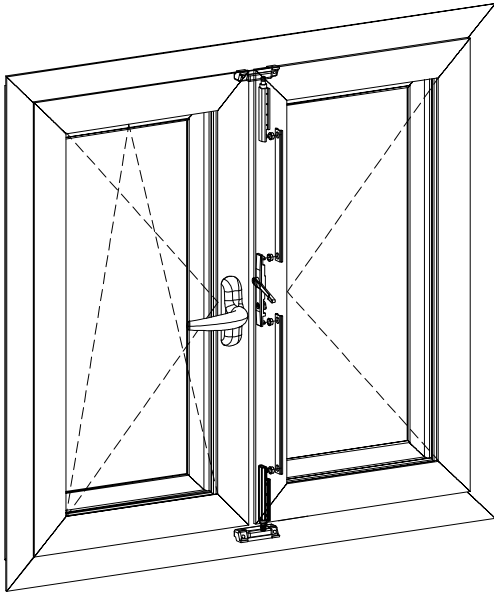
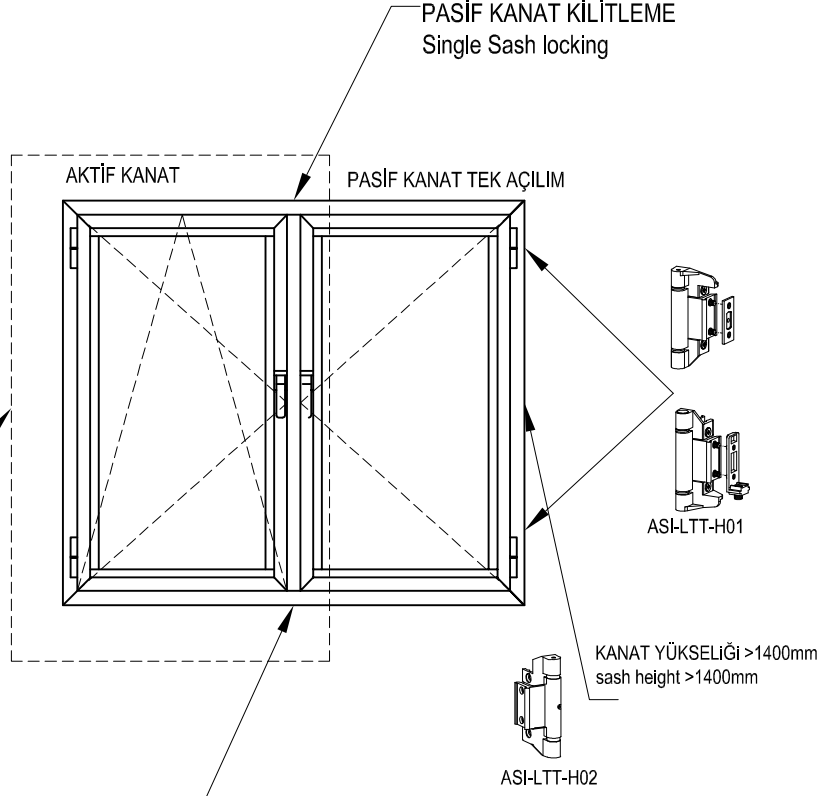
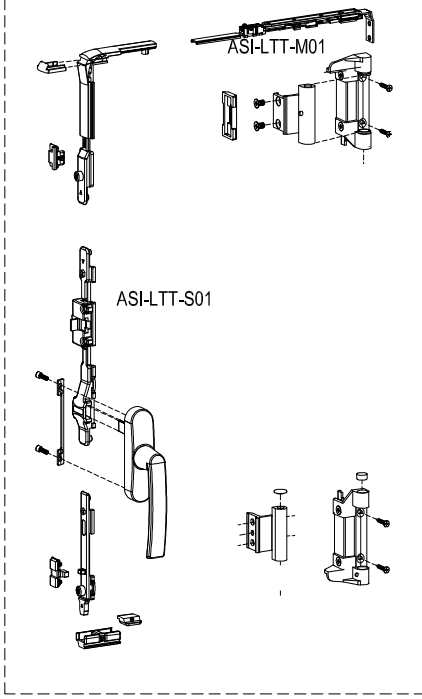
YALITIMLI KAPI-PENCERE SİSTEMİ  
THERMAL WINDOW&DOOR SYSTEM



## LAVAAL ÇİFT EKSEN AÇILIM ÇİFT KANAT AKSESUAR KULLANIM TABLOSU ALU - ALU TT

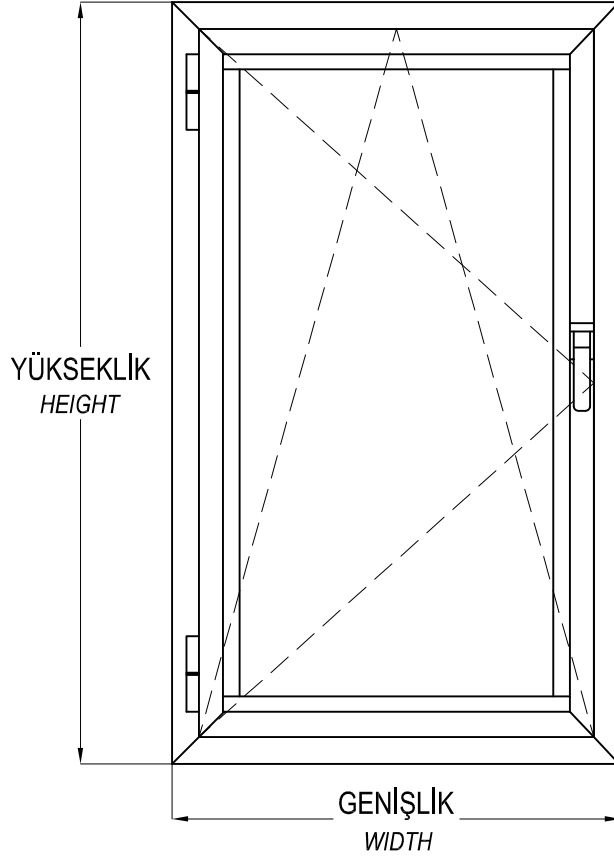
LAVAAL TILT&TURN OPENING ACCESSORIES TABLE

### STANDART KİT / ASI-LTT-S01



## MULTI POINT SİSTEM (PVC KANALLI) ÇİFT EKSEN AÇILIM AKSESUAR TABLOSU ALU - PVC TT

MULTI POINT SYSTEM TILT&TURN OPENING ACCESSORIES TABLE



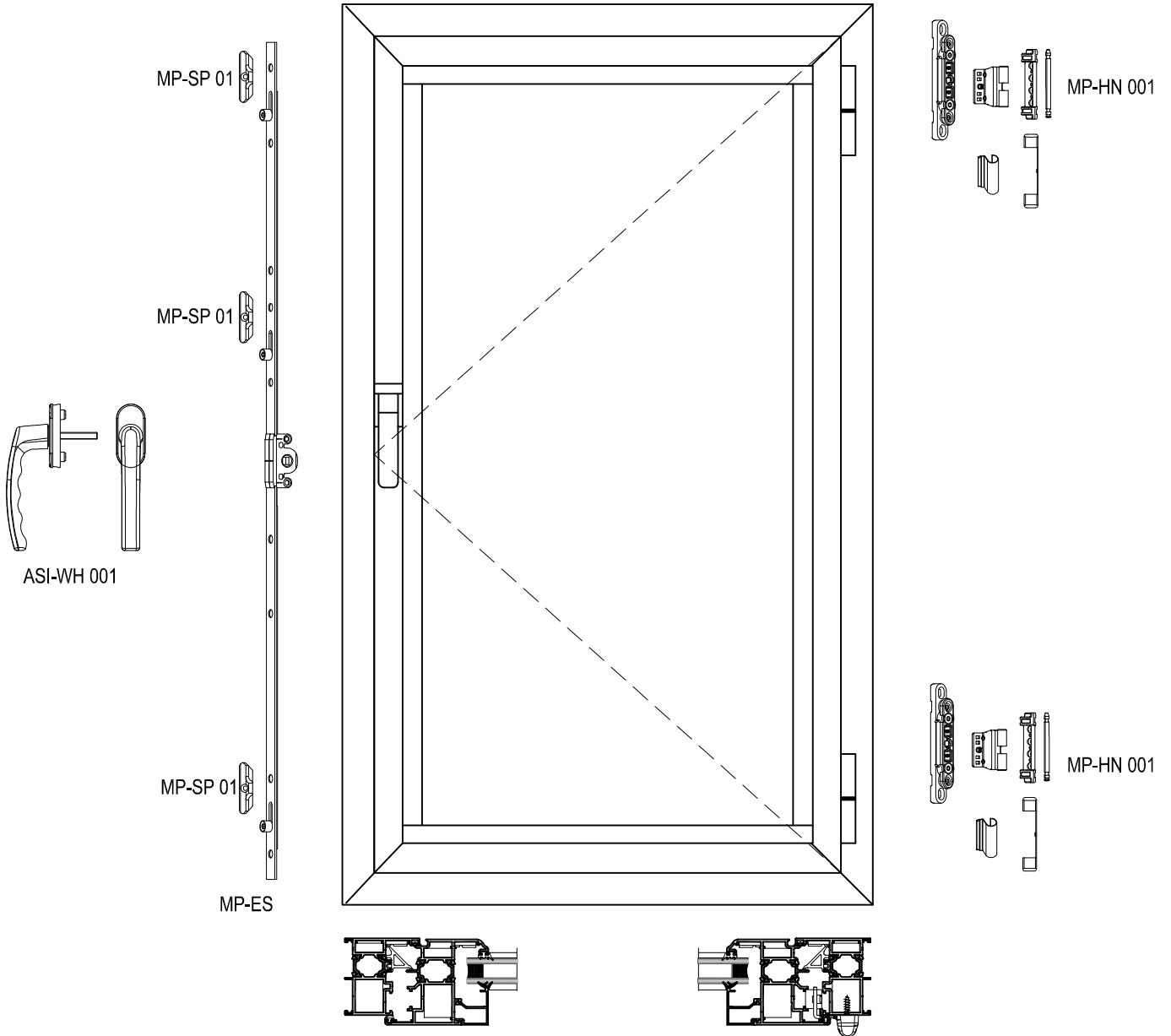
MULTI POINT (PVC KANALLI) KİLİTLEME AKSESUAR SEÇİM TABLOSU MULTI POINT SYSTEM ACCESSORIES TABLE				
YÜKSEKLİK- HEIGHT	GENİŞLİK - WIDTH			
		400-600mm	600-850mm	850-1100mm
450-700 mm	ASI-PVC TT 01	ASI-PVC TT 02	ASI-PVC TT 03	ASI-PVC TT 04
700-1200 mm	ASI-PVC TT 05	ASI-PVC TT 06	ASI-PVC TT 07	ASI-PVC TT 08
1200-1400 mm	ASI-PVC TT 09	ASI-PVC TT 10	ASI-PVC TT 11	ASI-PVC TT 12
1400-1700 mm	ASI-PVC TT 013	ASI-PVC TT 14	ASI-PVC TT 15	ASI-PVC TT 16
1700-2400 mm	ASI-PVC TT 017	ASI-PVC TT 18	ASI-PVC TT 19	ASI-PVC TT 20

**TH62 - 1,8mm**

YALITIMLI KAPI-PENCERE SİSTEMİ  
THERMAL WINDOW&DOOR SYSTEM



**MULTI POINT SİSTEM (PVC KANALLI) TEK EKSEN AÇILIM AKSESUARLARI**  
MULTI POINT SYSTEM SINGLE OPENING WINDOW ACCESSORIES



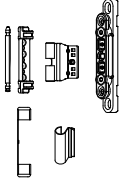
# TH62 - 1,8mm

YALITIMLI KAPI-PENCERE SİSTEMİ  
THERMAL WINDOW&DOOR SYSTEM

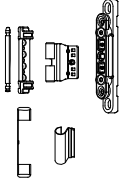


## MULTI POINT SİSTEM (PVC KANALLI) TEK KANAT AÇILIM KAPI AKSESUARLARI MULTI POINT SYSTEM INNER / OUTER OPENING DOOR ACCESSORIES

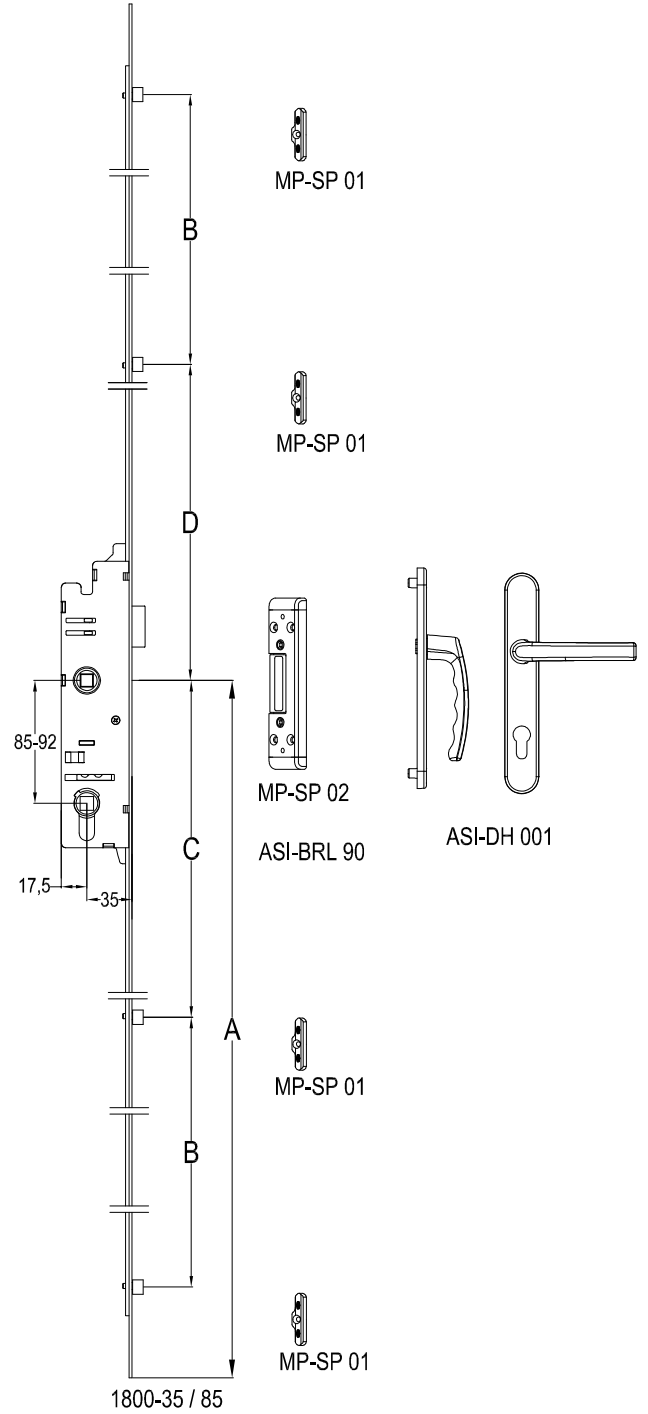
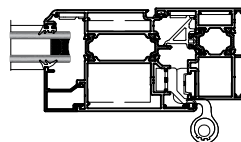
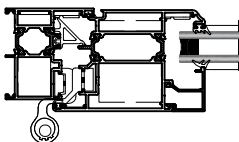
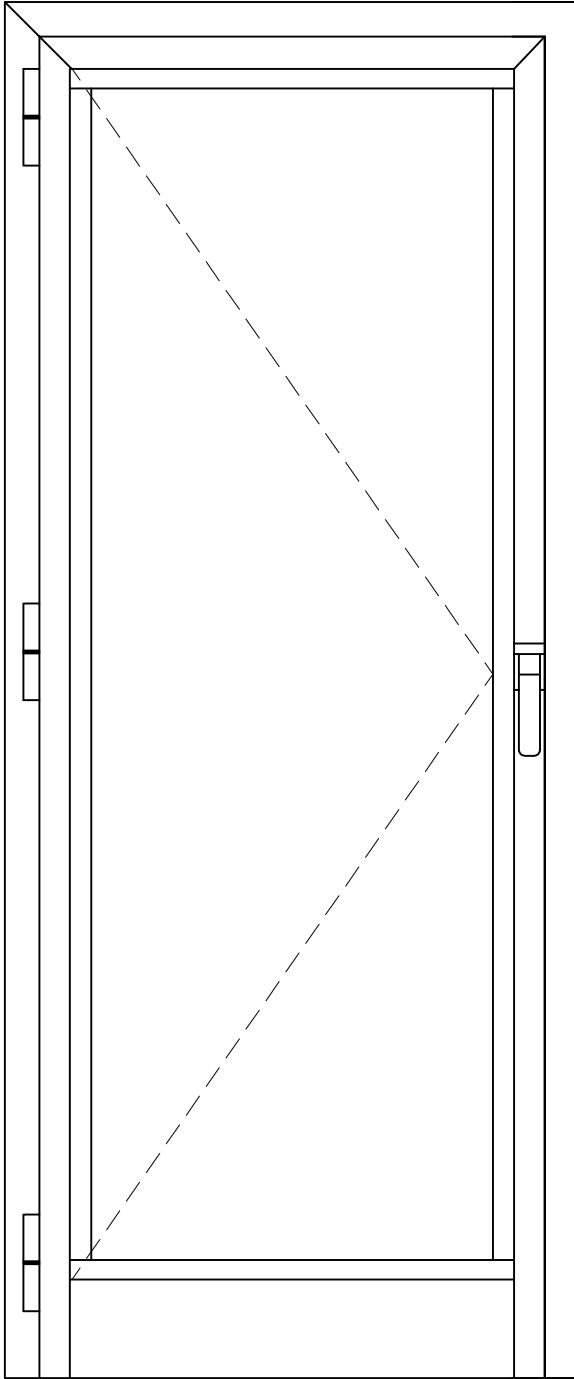
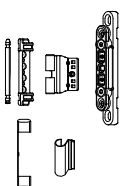
MP-HN 002



MP-HN 002



MP-HN 002

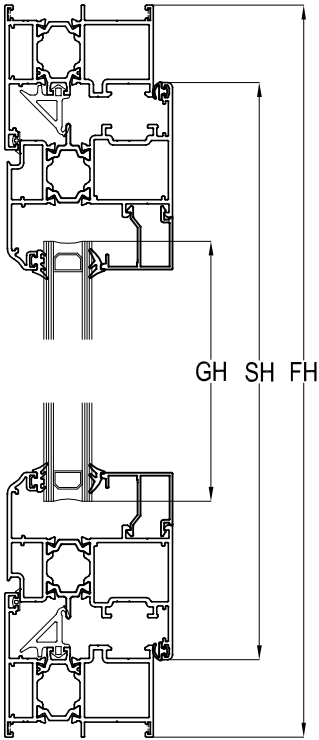
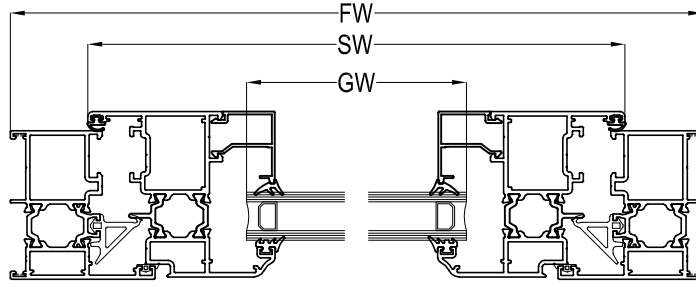
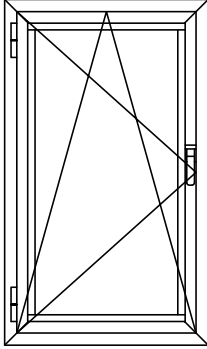


# TH62 - 1,8mm

YALITIMLI KAPI-PENCERE SİSTEMİ  
THERMAL WINDOW&DOOR SYSTEM

## ASISTAL

### TEK KANAT AÇILIM KESİM ÖLÇÜLERİ SINGLE SASH CUTTING SIZES



KASA PROFİLİ FRAME PROFILE	KANAT PROFİLİ SASH PROFILE	KESİM ÖLÇÜLERİ CUTTING SIZES
TH62 01 TH62 01 TH62 01	TH62 11 THS62 11 TH62 18	SW = FW - 64,8mm GW = SW - 122,4mm SH = FH - 64,8mm GH = SH - 122,4mm
TH62 01 TH62 01	TH62 12 THS62 12	SW = FW - 64,8mm GW = SW - 162,8mm SH = FH - 64,8mm GH = SH - 162,8mm
TH62 02 TH62 02 TH62 02	TH62 11 THS62 11 TH62 18	SW = FW - 105,2mm GW = SW - 122,4mm SH = FH - 105,2mm GH = SH - 122,4mm
TH62 02 TH62 02	TH62 12 THS62 12	SW = FW - 105,2mm GW = SW - 162,8mm SH = FH - 105,2mm GH = SH - 162,8mm

FW= KASA GENİŞLİĞİ / FRAME WIDTH  
SW= KANAT GENİŞLİĞİ / SASH WIDTH  
GW= CAM GENİŞLİĞİ / GLASS WIDTH

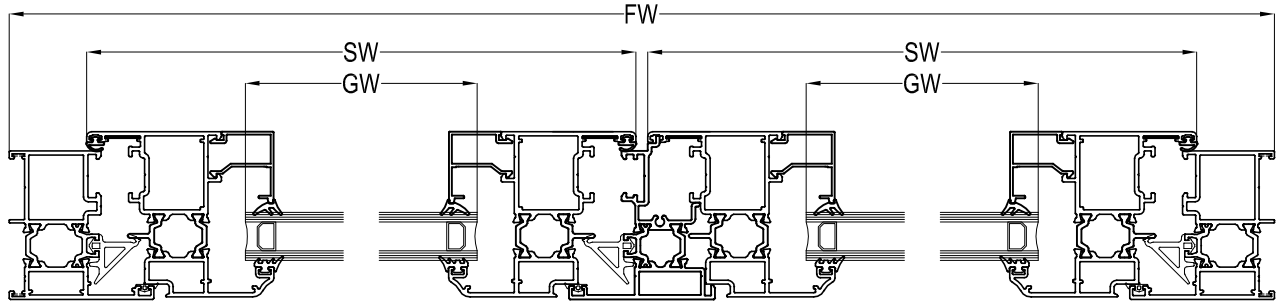
FH= KASA YÜKSEKLİĞİ / FRAME HEIGHT  
SH= KANAT YÜKSEKLİĞİ / SASH HEIGHT  
GH= CAM YÜKSEKLİĞİ / GLASS HEIGHT

# TH62 - 1,8mm

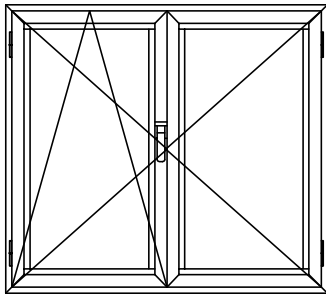
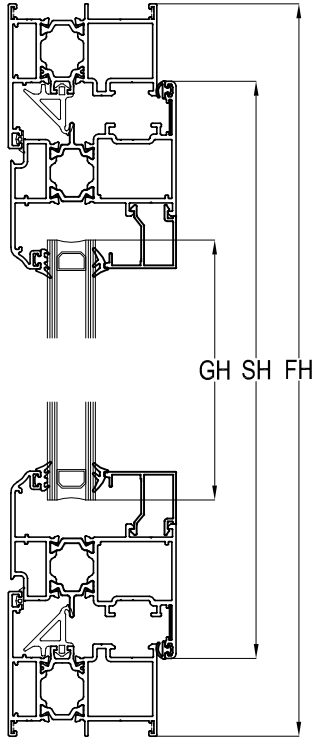
YALITIMLI KAPI-PENCERE SİSTEMİ  
THERMAL WINDOW&DOOR SYSTEM

## ASISTAL

### ÇİFT KANAT AÇILIM KESİM ÖLÇÜLERİ DOUBLE SASH CUTTING SIZES



ADAPTÖR PROFİLİ  
TH62 41 = SH - 69mm



KASA PROFİLİ FRAME PROFILE	KANAT PROFİLİ SASH PROFILE	KESİM ÖLÇÜLERİ CUTTING SIZES
TH62 01 TH62 01 TH62 01	TH62 11 THS62 11 TH62 18	SW = FW / 2 - 34,9mm GW = SW - 122,4mm SH = FH - 64,8mm GH = SH - 122,4mm
TH62 01 TH62 01	TH62 12 THS62 12	SW = FW / 2 - 34,9mm GW = SW - 162,8mm SH = FH - 64,8mm GH = SH - 162,8mm
TH62 02 TH62 02 TH62 02	TH62 11 THS62 11 TH62 18	SW = FW / 2 - 55,1mm GW = SW - 122,4mm SH = FH - 105,2mm GH = SH - 122,4mm
TH62 02 TH62 02	TH62 12 THS62 12	SW = FW / 2 - 55,1mm GW = SW - 162,8mm SH = FH - 105,2mm GH = SH - 162,8mm

FW= KASA GENİŞLİĞİ / FRAME WIDTH  
SW= KANAT GENİŞLİĞİ / SASH WIDTH  
GW= CAM GENİŞLİĞİ / GLASS WIDTH

FH= KASA YÜKSEKLİĞİ / FRAME HEIGHT  
SH= KANAT YÜKSEKLİĞİ / SASH HEIGHT  
GH= CAM YÜKSEKLİĞİ / GLASS HEIGHT

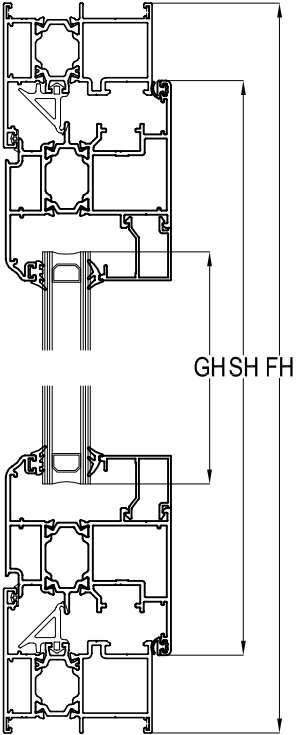
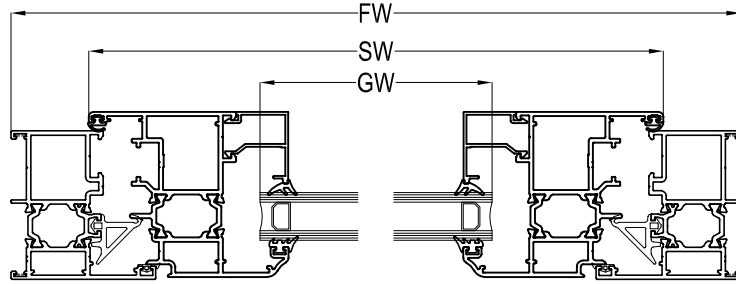
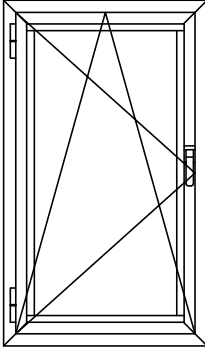


# TH62 - 1,8mm

YALITIMLI KAPI-PENCERE SİSTEMİ  
THERMAL WINDOW&DOOR SYSTEM

## ASISTAL

### MULTI POINT (PVC KANALLI) TEK KANAT AÇILIM KESİM ÖLÇÜLERİ MULTI POINT SINGLE SASH CUTTING SIZES



KASA PROFİLİ FRAME PROFILE	KANAT PROFİLİ SASH PROFILE	KESİM ÖLÇÜLERİ CUTTING SIZES
TH62 01 TH62 01	TH62 14 THS62 14	SW = FW - 64,8mm GW = SW - 133mm  SH = FH - 64,8mm GH = SH - 133mm
TH62 01 TH62 01	TH62 15 THS62 15	SW = FW - 64,8mm GW = SW - 173,4mm  SH = FH - 64,8mm GH = SH - 173,4mm
TH62 02 TH62 02	TH62 14 THS62 14	SW = FW - 105,2mm GW = SW - 133mm  SH = FH - 105,2mm GH = SH - 133mm
TH62 02 TH62 02	TH62 15 THS62 15	SW = FW - 105,2mm GW = SW - 173,4mm  SH = FH - 105,2mm GH = SH - 173,4mm

FW= KASA GENİŞLİĞİ / FRAME WIDTH  
SW= KANAT GENİŞLİĞİ / SASH WIDTH  
GW= CAM GENİŞLİĞİ / GLASS WIDTH

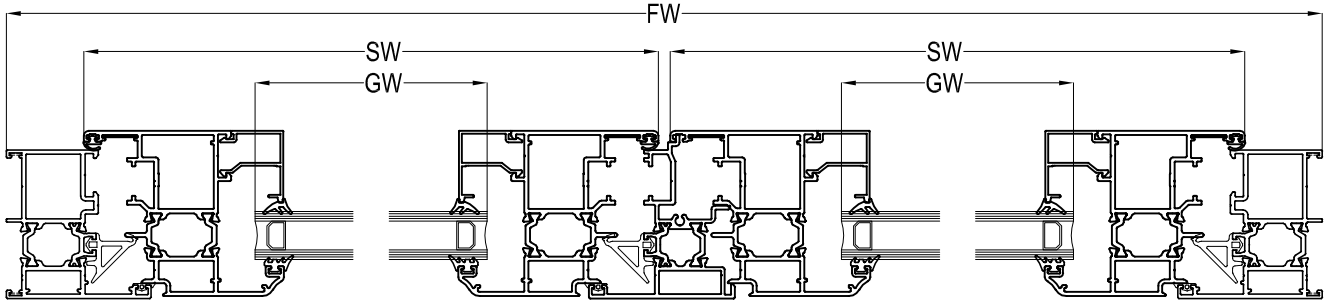
FH= KASA YÜKSEKLİĞİ / FRAME HEIGHT  
SH= KANAT YÜKSEKLİĞİ / SASH HEIGHT  
GH= CAM YÜKSEKLİĞİ / GLASS HEIGHT

# TH62 - 1,8mm

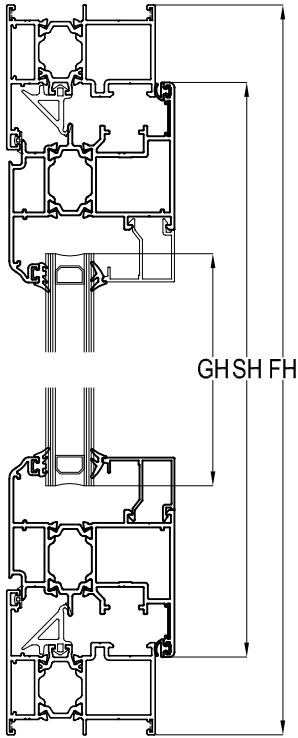
YALITIMLI KAPI-PENCERE SİSTEMİ  
THERMAL WINDOW&DOOR SYSTEM

## ASISTAL

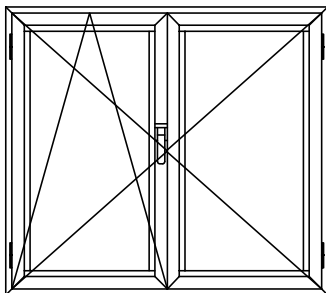
### MULTI POINT (PVC KANALLI) ÇİFT KANAT AÇILIM KESİM ÖLÇÜLERİ MULTI POINT DOUBLE SASH CUTTING SIZES



ADAPTÖR PROFİLİ  
TH62 42 = SH - 69mm



KASA PROFİLİ FRAME PROFILE	KANAT PROFİLİ SASH PROFILE	KESİM ÖLÇÜLERİ CUTTING SIZES
TH62 01 TH62 01	TH62 14 THS62 14	SW = FW / 2 - 34,9mm GW = SW - 133mm SH = FH - 64,8mm GH = SH - 133mm
TH62 01 TH62 01	TH62 15 THS62 15	SW = FW / 2 - 34,9mm GW = SW - 173,4mm SH = FH - 64,8mm GH = SH - 173,4mm
TH62 02 TH62 02	TH62 14 THS62 14	SW = FW / 2 - 55,1mm GW = SW - 133mm SH = FH - 105,2mm GH = SH - 133mm
TH62 02 TH62 02	TH62 15 THS62 15	SW = FW / 2 - 55,1mm GW = SW - 173,4mm SH = FH - 105,2mm GH = SH - 173,4mm



FW= KASA GENİŞLİĞİ / FRAME WIDTH  
SW= KANAT GENİŞLİĞİ / SASH WIDTH  
GW= CAM GENİŞLİĞİ / GLASS WIDTH

FH= KASA YÜKSEKLİĞİ / FRAME HEIGHT  
SH= KANAT YÜKSEKLİĞİ / SASH HEIGHT  
GH= CAM YÜKSEKLİĞİ / GLASS HEIGHT